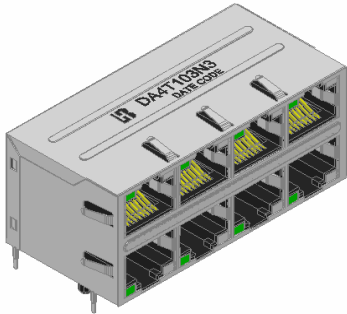


“LAN-MATE” SERIES Description:
10/100/1000 Base-T RJ45 2x4 Integrated
Magnetics Connector
P/N:DA4T103N3



Feature



- Complies with requirement of IEEE 802.3ab standards.
- RJ-45 connector integrated with transformer/impedance resistor/high voltage capacitor.
- Size same as RJ-45 connector to save PCB board space.
- Reduced EMI radiation to improve EMI performance.
- Design for 1000 BASE transmission over UTP-5 cable.
- Compliance with ROHS requirements.
- Operating temperature range: 0°C to +70°C.
- Storage temperature range: -25°C to +85°C.

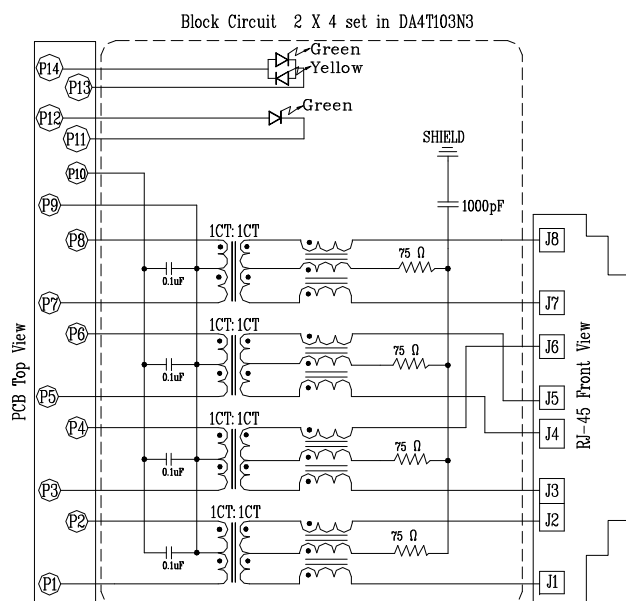
Electrical Specifications @ 25°C

Part Number	Turns Ratio (±2%)		OCL (uH Min) @ 100KHz/0.1V with 8mA DC Bias	Cross talk (dB Min)				HI-POT
	TX	RX		0.5-10MHz	30MHz	50MHz	100MHz	
DA4T103N3	1CT: 1CT	1CT: 1CT	350	-50	-40	-35	-30	DC2250V/1mA

Continue

Part Number	Insertion Loss (dB Max)	Return Loss (dB Min) @ Load 100Ω					DCMR (dB Min)		
		1-100MHz	1-30MHz	40MHz	50MHz	60-80MHz	100MHz	0.3-30MHz	60MHz
DA4T103N3	-1.0	-18	-16	-14.08	-12.5	-10	-50	-45	-40

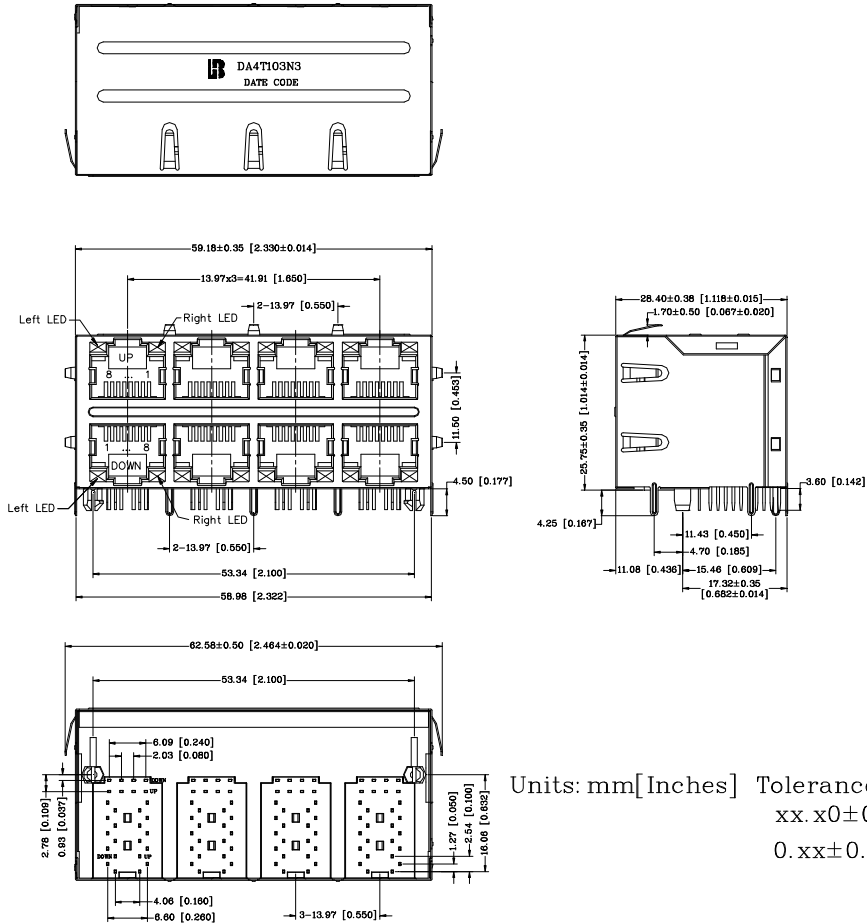
Schematic



“LAN-MATE” SERIES Description:
10/100/1000 Base-T RJ45 2x4 Integrated
Magnetics Connector
P/N:DA4T103N3



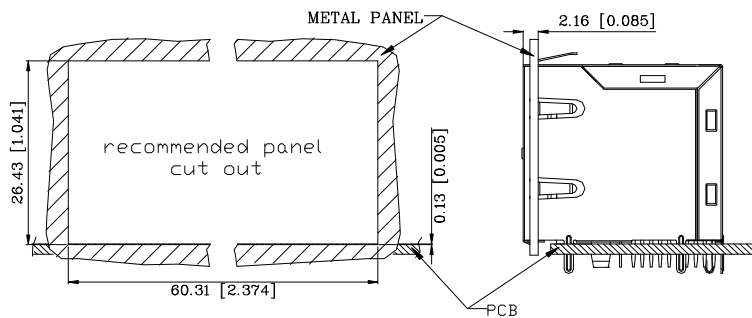
Mechanical



Units: mm[Inches] Tolerances:
 xx.x0±0.25[0.010]
 0.xx±0.05[0.002]

- | | | |
|---------------------|---|--|
| 1. Plastic Material | : | Thermoplastic (UL 94V-0), Black Housing |
| 2. Metal Shield | : | Brass, 30u" inches thick Nickel |
| 3. Spring Wire | : | Phosphor bronze |
| 4. Solder Pin | : | 0.5x0.35mm, Phosphor bronze with solder Plated |
| 5. Durability | : | 750 Mating cycles Min. |

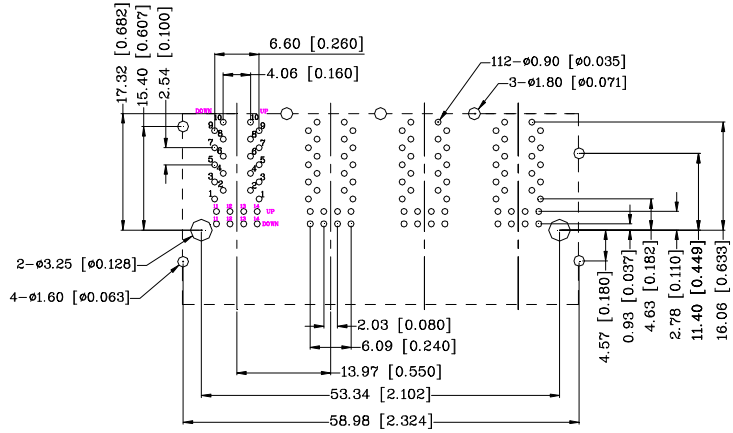
Suggested Panel Opening



“LAN-MATE” SERIES Description:
10/100/1000 Base-T RJ45 2x4 Integrated
Magnetics Connector
P/N:DA4T103N3

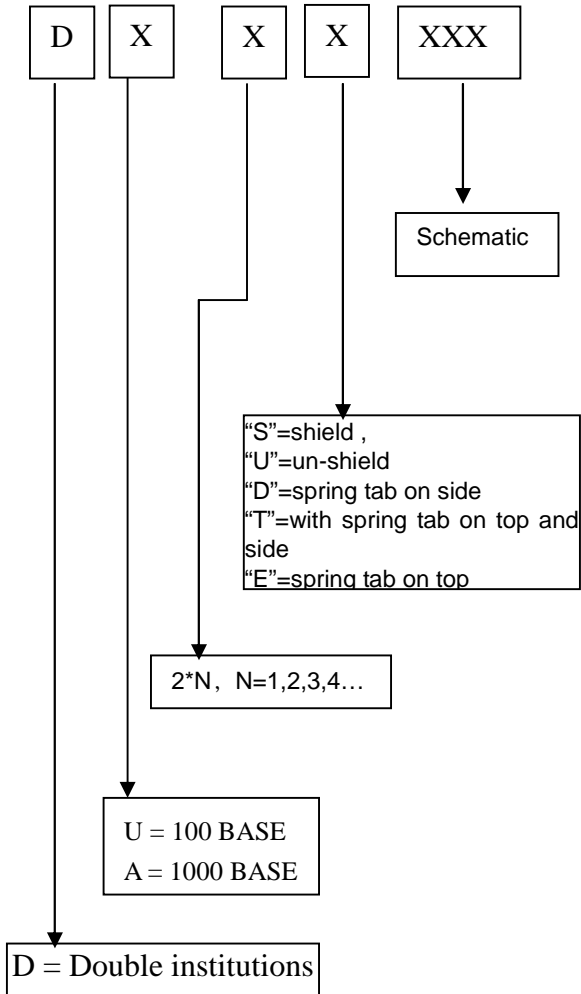


PCB Layout Mounting Hole(Top View)



Unless otherwise specified,
 all dimension tolerance are: $\pm 0.08[\pm 0.003]$

Ordering Information



Code	RJ45 Plating
	Contact Area
1	6u" gold
2	15u" gold
3	30u" gold
4	50u" gold

LED Code				
	Left LED		Right LED	
	11+/12-	11-/12+	13+/14-	13-/14+
A	Green	--	Yellow	--
B	Yellow	--	Green	--
C	Green	--	Green	--
D	--	Green	--	Yellow
E	--	Yellow	--	Green
F	Yellow	--	Orange	Green
G	Green	--	Green	Yellow
H	Orange	Green	Orange	Green
I	Yellow	Green	Red	Yellow
J	Yellow	Green	Yellow	Green
N	--	Green	Yellow	Green
0	--	--	--	--