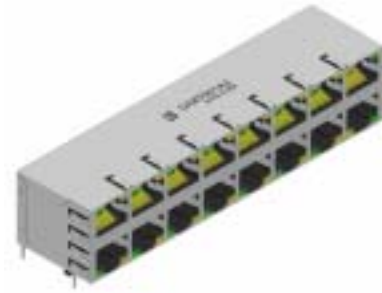


**“LAN-MATE” SERIES Description:  
 10/100/1000 Base-T RJ45 2x8 Integrated Magnetics Connector  
 10/100/1000 BASE-T MAGNETICS**

- Complies with requirement of IEEE 802.3ab standards.
- RJ-45 connector integrated with transformer/impedance resistor/high voltage capacitor.
- Size same as RJ-45 connector to save PCB board space.
- Reduced EMI radiation to improve EMI performance.
- Design for 1000 BASE transmission over UTP-5 cable.
- Compliance with ROHS requirements.
- Operating temperature range: 0 to +70 .
- Storage temperature range: -25 to +85 .



**Electrical specifications @ 25**

Part Number	Turns Ratio (±2%)		OCL (uH Min) @ 100 KHz/0.1V with 8mA DC Bias	DCMR (dB Min)			HI-POT (Vrms) pri : sec
	TX	RX		0.3-30MHz	60MHz	100MHz	
DA8T001A3	1CT: 1CT	1CT: 1CT	350	-50	-45	-40	1500

**Continue**

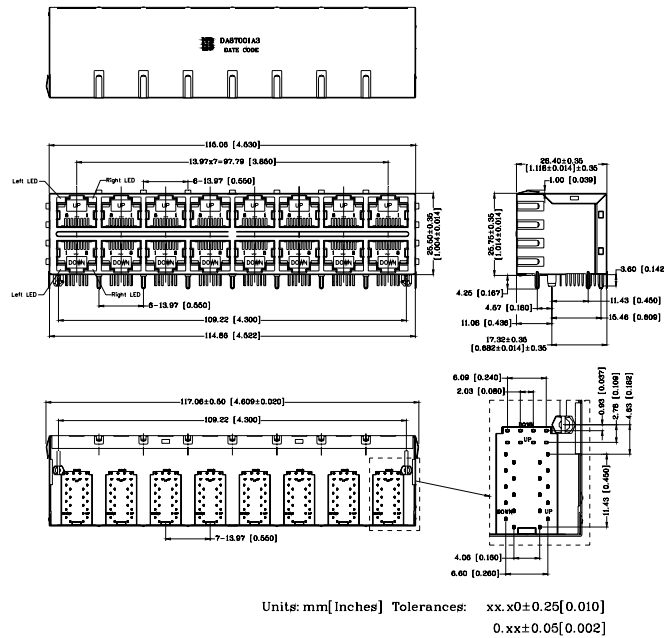
Number	Return Loss (dB Min)					Cross talk (dB Min)				Insertion Loss (dB Max)
	1-30MHz	40MHz	50MHz	60-80MHz	100MHz	0.5-10MHz	30MHz	50MHz	100MHz	
DA8T001A3	-18	-16	-14.08	-12.5	-10	-50	-40	-35	-30	-1.0

For customized parts or more detailed information, please log on [www.bothhandi.com](http://www.bothhandi.com) or write to [sales@bothhandi.com](mailto:sales@bothhandi.com)

**“LAN-MATE” SERIES Description:**  
**10/100/1000 Base-T RJ45 2x8 Integrated Magnetics Connector**  
**10/100/1000 BASE-T MAGNETICS**

**Mechanicals**

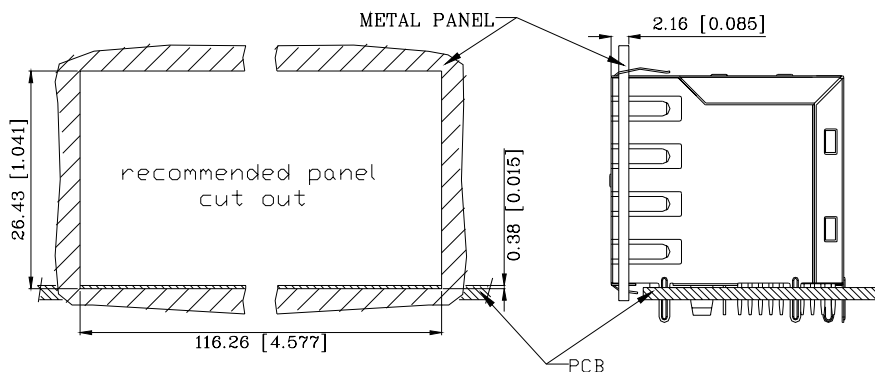
**DA8TXXXX**



- 1. Plastic Material : Thermoplastic (UL 94V-0), Black Housing
- 2. Metal Shield : Brass, 30u" inches thick Nickel
- 3. Spring Wire : Phosphor bronze
- 4. Solder Pin : 0.5x0.35mm, Phosphor bronze with solder Plated
- 5. Durability : 750 Mating cycles Min.

**Suggested Panel Opening**

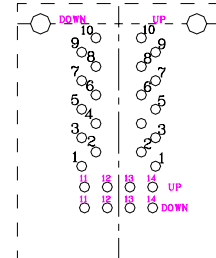
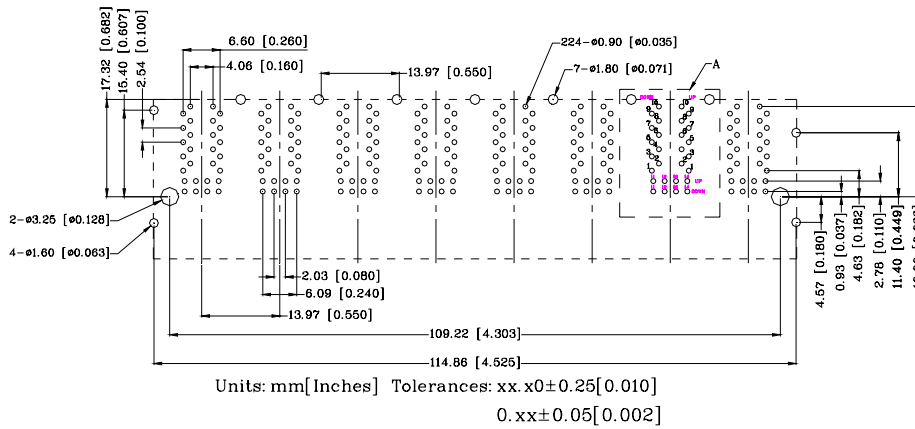
**DA8XXXXX**



**“LAN-MATE” SERIES Description:**  
**10/100/1000 Base-T RJ45 2x8 Integrated Magnetics Connector**  
**10/100/1000 BASE-T MAGNETICS**

**PCB Layout Mounting Hole (Top View)**

DA8XXXXX

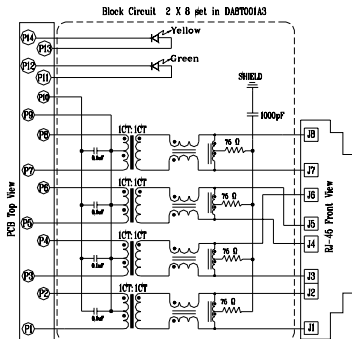


Detail A  
 Scale 2:1

Specification	Packing Manner	Q'ty per Tray	Q'ty/ Inner box	Q'ty/ Carton
DA8TXXXX	Tray	8	56	56

**Schematics**

DA8T001A3



**Ordering Information**

