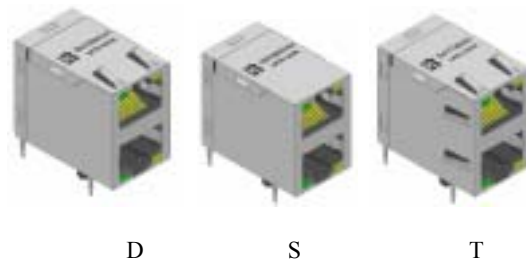


“LAN-MATE” SERIES Description:
10/100Base-T RJ45 2x1 Integrated Magnetics Connector
10/100Base-T MAGNETICS

- Complies with requirement of IEEE 802.3u standards.
- RJ-45 connector integrated with transformer/impedance resistor/high voltage capacitor.
- Size same as RJ-45 connector to save PCB board space.
- Reduced EMI radiation to improve EMI performance.
- Design for 10/100 BASE transmission over UTP-5 cable
- Compliance with ROHS requirements.
- Operating temperature range: 0 to +70 .
- Storage temperature range: -25 to +85 .



D S T

Electrical specifications @ 25

Part Number	Turns Ratio (±2%)		OCL (uH Min) @ 100 KHz/0.1V with 8mA DC Bias	DCMR (dB Min)			HI-POT (Vrms) pri : sec
	TX	RX		0.3-30MHz	60MHz	100MHz	
DU1D201A1	1CT: 1CT	1CT: 1CT	350	-50	-45	-40	1500
DU1S201A4	1CT: 1CT	1CT: 1CT	350	-50	-45	-40	1500
DU1T202A1	1CT: 1CT	1CT: 1CT	350	-50	-45	-40	1500
DU1T202A3	1CT: 1CT	1CT: 1CT	350	-50	-45	-40	1500
DU1T202B3	1CT: 1CT	1CT: 1CT	350	-50	-45	-40	1500
DU1T301A3	1CT: 1CT	1CT: 1CT	350	-50	-45	-40	1500
DU1T301B3	1CT: 1CT	1CT: 1CT	350	-50	-45	-40	1500
DU1T40103	1CT: 1CT	1CT: 1CT	350	-50	-45	-40	1500
DU1S201C4	1CT: 1CT	1CT: 1CT	350	-50	-45	-40	1500

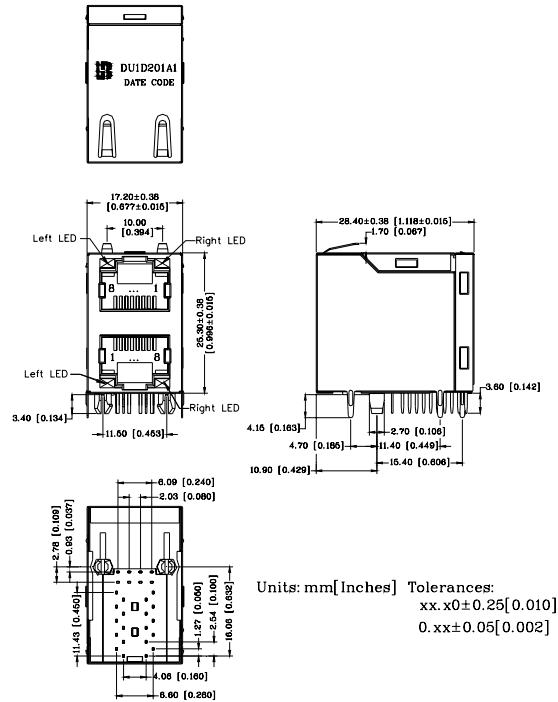
Continue

Number	Return Loss (dB Min)				Cross talk (dB Min)				Insertion Loss (dB Max)
	1-30MHz	40 MHz	50MHz	60-80MHz	0.5-10MHz	30MHz	50MHz	100MHz	
DU1D201A1	-18	-16	-14.08	-12.5	-50	-40	-35	-30	-1.0
DU1S201A4	-18	-16	-14.05	-12.5	-50	-40	-35	-30	-1.0
DU1T202A1	-18	-16	-14.08	-12.5	-50	-40	-35	-30	-1.0
DU1T202A3	-18	-16	-14.08	-12.5	-50	-40	-35	-30	-1.0
DU1T202B3	-18	-16	-14.08	-12.5	-50	-40	-35	-30	-1.0
DU1T301A3	-18	-16	-14.08	-12.5	-50	-40	-35	-30	-1.0
DU1T301B3	-18	-16	-14.08	-12.5	-50	-40	-35	-30	-1.0
DU1T40103	-18	-16	-14.08	-12.5	-50	-40	-35	-30	-1.0
DU1S201C4	-18	-16	-14.05	-12.5	-50	-40	-35	-30	-1.0

**“LAN-MATE” SERIES Description:
10/100Base-T RJ45 2x1 Integrated Magnetics Connector
10/100Base-T MAGNETICS**

Mechanicals

DU1DXXXX

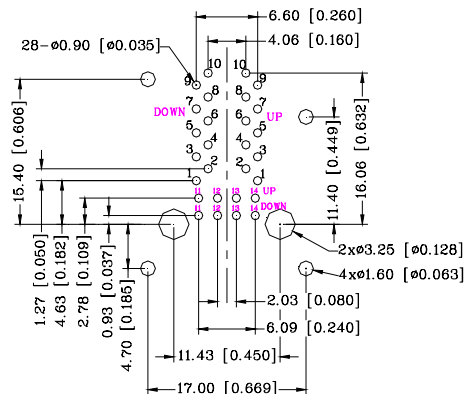
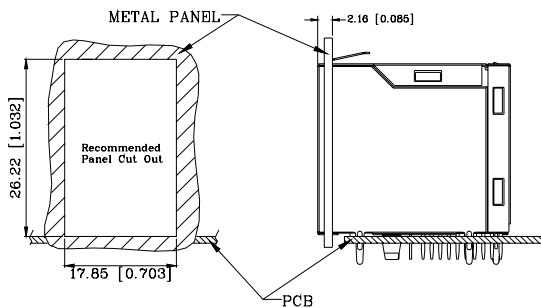


- 1. Plastic Material : Thermoplastic (UL 94V-0), Black Housing
- 2. Metal Shield : Brass, 30u" inches thick Nickel
- 3. Spring Wire : Phosphor bronze
- 4. Solder Pin : 0.5x0.35mm, Phosphor bronze with solder Plated
- 5. Durability : 750 Mating cycles Min.

Suggested Panel Opening

PCB Layout Mounting Hole (Top View)

DU1XXXXX



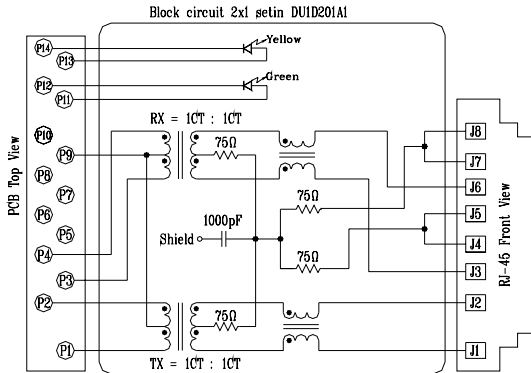
Units: mm[Inches] Tolerances: xx.x0±0.25[0.010]
0.xx±0.05[0.002]

“LAN-MATE” SERIES Description:
10/100Base-T RJ45 2x1 Integrated Magnetics Connector
10/100Base-T MAGNETICS

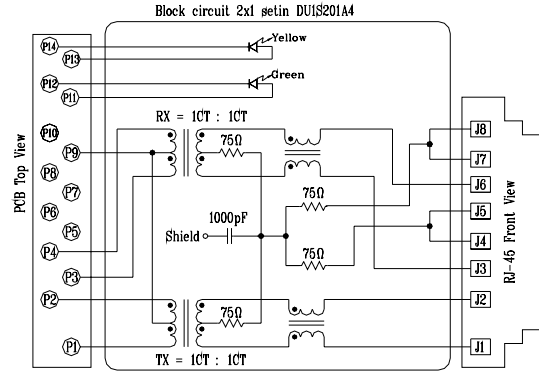
Specification	Packing Manner	Q'ty per Tray	Q'ty/ Inner box	Q'ty/ Carton
DU1DXXXX	Tray	36	288	288
DU1SXXXX	Tray	36	288	288
DU1TXXXX	Tray	36	288	288

Schematics

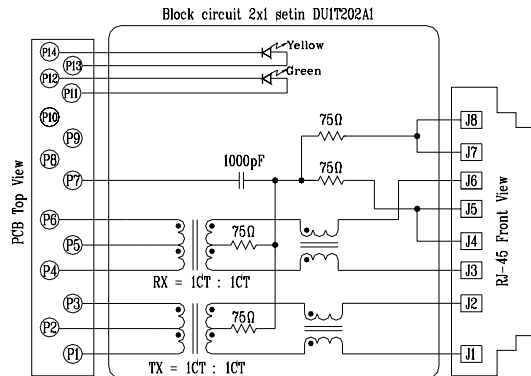
DU1D201A1



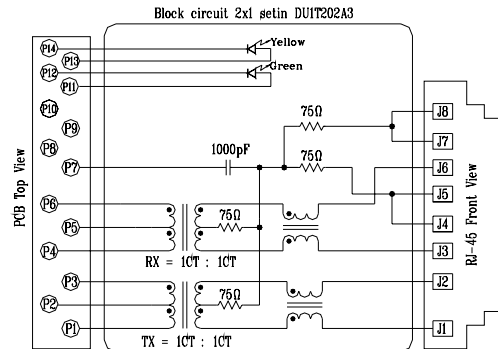
DU1S201A4



DU1T202A1

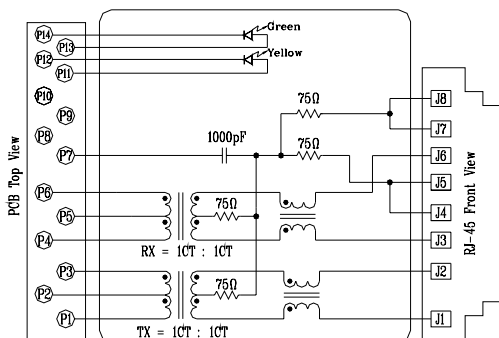


DU1T202A3



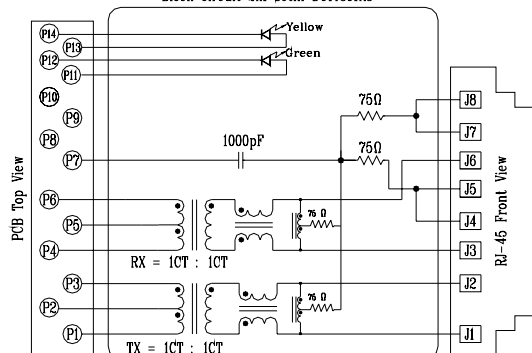
DU1T202B3

Block circuit 2x1 setin DU1T202B3



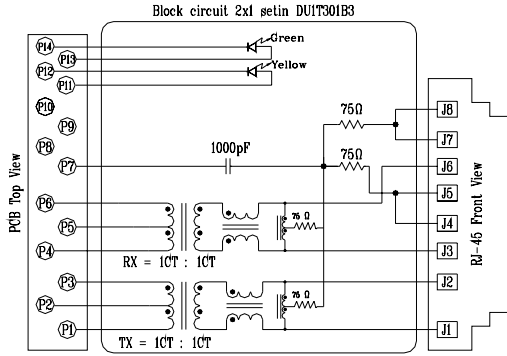
DU1T301A3

Block circuit 2x1 setin DU1T301A3

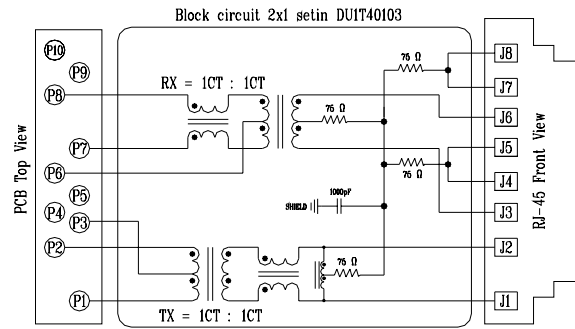


**“LAN-MATE” SERIES Description:
10/100Base-T RJ45 2x1 Integrated Magnetics Connector
10/100Base-T MAGNETICS**

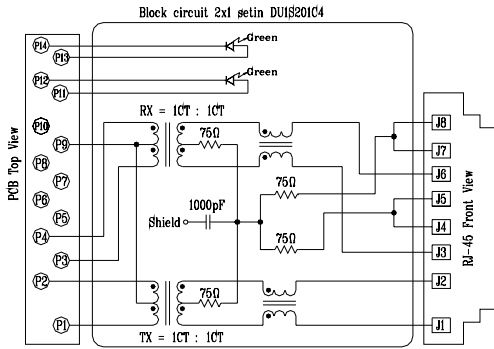
DU1T301B3



DU1T40103



DU1S201C4



**“LAN-MATE” SERIES Description:
10/100Base-T RJ45 2x1 Integrated Magnetics Connector
10/100Base-T MAGNETICS**

Ordering Information

