

**“LAN-MATE” SERIES Description:**  
**10/100Base-T RJ45 2x6 Integrated Magnetics Connector**  
**10/100 BASE-T MAGNETICS**

- Complies with requirement of IEEE 802.3u standards.
- RJ-45 connector integrated with transformer/impedance resistor/high voltage capacitor.
- Size same as RJ-45 connector to save PCB board space.
- Reduced EMI radiation to improve EMI performance.
- Design for 10/100 BASE transmission over UTP-5 cable
- Compliance with ROHS requirements.
- Operating temperature range: 0 to +70 .
- Storage temperature range: -25 to +85 .



T

**Electrical specifications @ 25**

| Part Number | Turns Ratio (±2%) |          | OCL (uH Min) @ 100 KHz/0.1V with 8mA DC Bias | DCMR (dB Min) |       |        | HI-POT (Vrms) pri : sec |
|-------------|-------------------|----------|--|---------------|-------|--------|-------------------------|
|             | TX                | RX       |  | 0.3-30MHz     | 60MHz | 100MHz |                         |
| DU6T201A1   | 1CT: 1CT          | 1CT: 1CT | 350  | -50           | -45   | -40    | 1500                    |

**Continue**

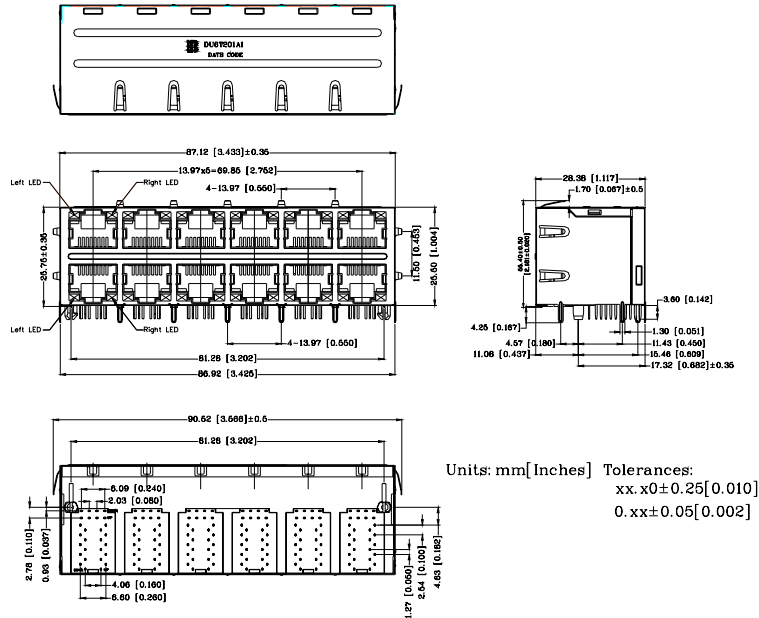
| Number    | Return Loss (dB Min) |       |        |          | Cross talk (dB Min) |       |       |        | Insertion Loss (dB Max) |
|-----------|----------------------|-------|--------|----------|---------------------|-------|-------|--------|-------------------------|
|           | 1-30MHz              | 40MHz | 50MHz  | 60-80MHz | 0.5-10MHz           | 30MHz | 50MHz | 100MHz |                         |
| DU6T201A1 | -18                  | -16   | -14.08 | -12.5    | -50                 | -40   | -35   | -30    | -1.0                    |

For customized parts or more detailed information, please log on [www.bothhandusa.com](http://www.bothhandusa.com) or write to [sales@bothhandusa.com](mailto:sales@bothhandusa.com)

**“LAN-MATE” SERIES Description:**  
**10/100Base-T RJ45 2x6 Integrated Magnetics Connector**  
**10/100 BASE-T MAGNETICS**

**Mechanicals**

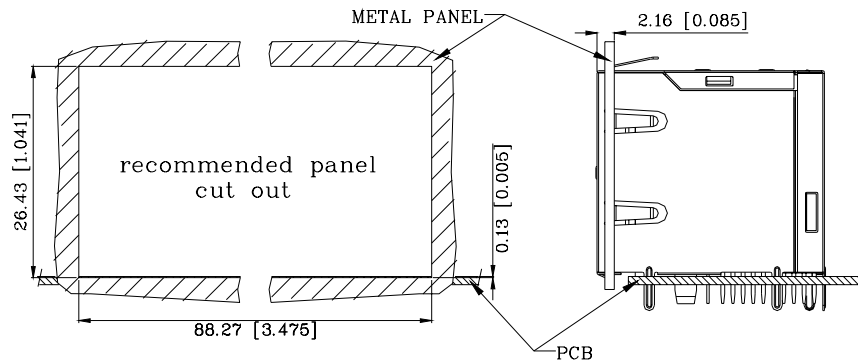
**DU6TXXXX**



- 1. Plastic Material : Thermoplastic (UL 94V-0), Black Housing
- 2. Metal Shield : Brass, 30u" inches thick Nickel
- 3. Spring Wire : Phosphor bronze
- 4. Solder Pin : 0.5x0.35mm, Phosphor bronze with solder Plated
- 5. Durability : 750 Mating cycles Min.

**Suggested Panel Opening**

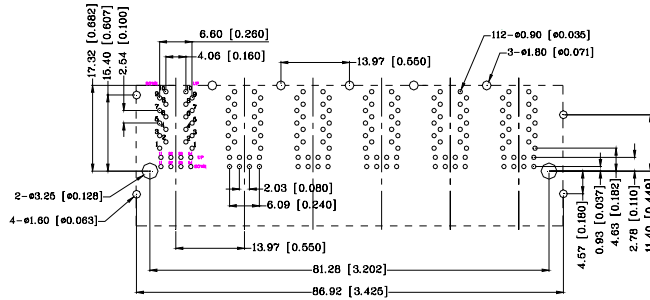
**DU6XXXXX**



**“LAN-MATE” SERIES Description:**  
**10/100Base-T RJ45 2x6 Integrated Magnetics Connector**  
**10/100 BASE-T MAGNETICS**

**PCB Layout Mounting Hole (Top View)**

DU6XXXXX



Units: mm[Inches] Tolerances: xx.x0±0.25[0.010]  
 0.xx±0.05[0.002]

| Specification | Packing Manner | Q'ty per Tray | Q'ty/ Inner box | Q'ty/ Carton |
|---------------|----------------|---------------|-----------------|--------------|
| DU6TXXXX      | Tray           | 12            | 84              | 84           |

**Schematics**

DU6T201A1

