

“LAN-MATE” SERIES Description:
10/100 Base-T RJ45 2x8 Integrated Magnetics Connector
10/100 BASE-T MAGNETICS

- Complies with requirement of IEEE 802.3u standards.
- RJ-45 connector integrated with transformer/impedance resistor/high voltage capacitor.
- Size same as RJ-45 connector to save PCB board space.
- Reduced EMI radiation to improve EMI performance.
- Design for 10/100 BASE transmission over UTP-5 cable
- Compliance with ROHS requirements.
- Operating temperature range: 0 to +70 .
- Storage temperature range: -25 to +85 .



T

Electrical specifications @ 25

Part Number	Turns Ratio (±2%)		OCL (uH Min) @ 100 KHz/0.1V with 8mA DC Bias	DCMR (dB Min)			HI-POT (Vrms) pri : sec
	TX	RX		0.3-30MHz	60MHz	100MHz	
DU8T20103	1CT: 1CT	1CT: 1CT	350	-50	-45	-40	1500

Continue

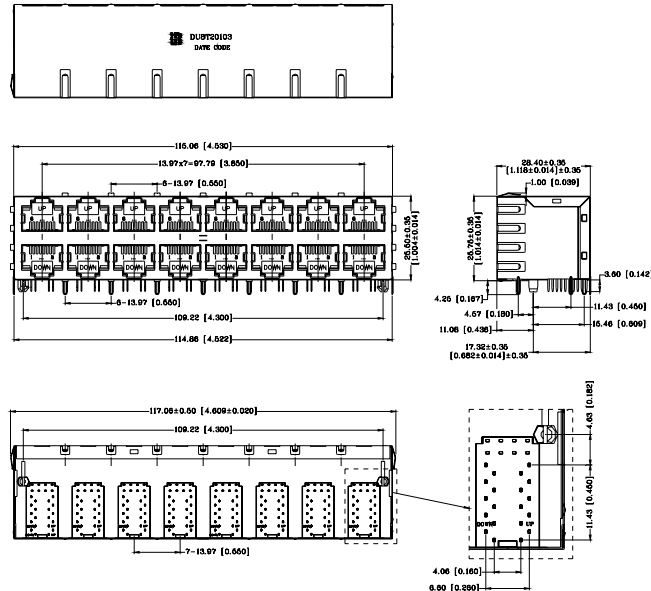
Number	Return Loss (dB Min)				Cross talk (dB Min)				Insertion Loss (dB Max)
	1-30MHz	40MHz	50MHz	60-80MHz	0.5-10MHz	30MHz	50MHz	100MHz	
DU8T20103	-18	-16	-14.05	-12.5	-50	-40	-35	-30	-1.0

For customized parts or more detailed information, please log on www.bothhandusa.com or write to sales@bothhandusa.com

“LAN-MATE” SERIES Description:
10/100 Base-T RJ45 2x8 Integrated Magnetics Connector
10/100 BASE-T MAGNETICS

Mechanicals

DU8TXXXX

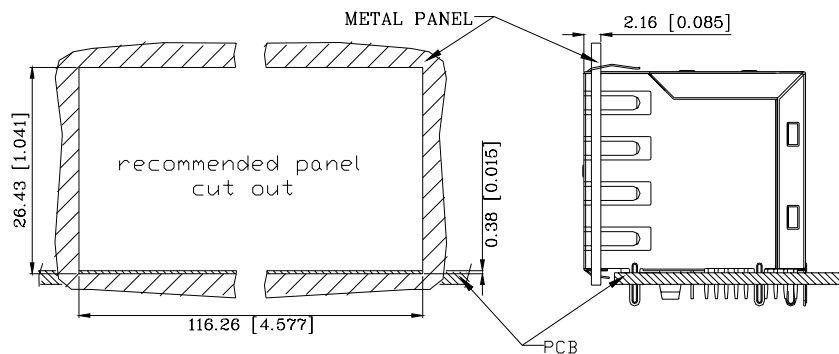


Units: mm[inches] Tolerances: xx.x0±0.25[0.010]
 0.xx±0.05[0.002]

- 1. Plastic Material : Thermoplastic (UL 94V-0), Black Housing
- 2. Metal Shield : Brass, 30u" inches thick Nickel
- 3. Spring Wire : Phosphor bronze
- 4. Solder Pin : 0.5x0.35mm, Phosphor bronze with solder Plated
- 5. Durability : 750 Mating cycles Min.

Suggested Panel Opening

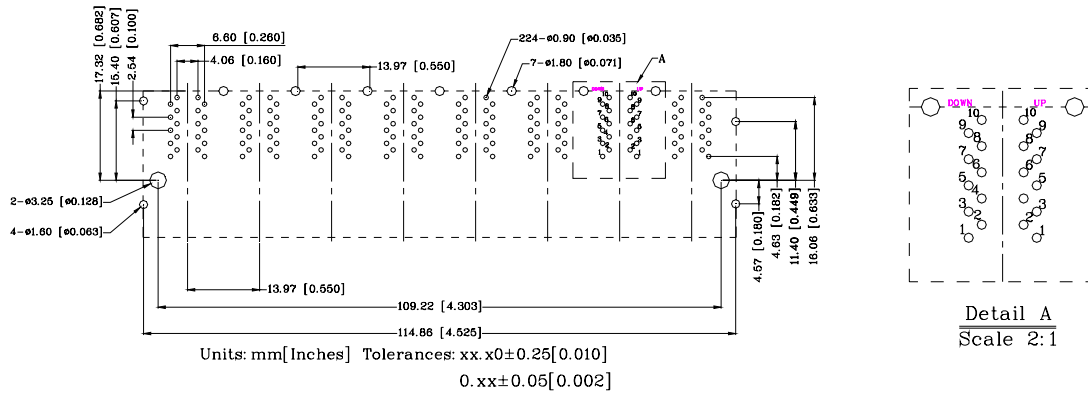
DU8XXXXX



“LAN-MATE” SERIES Description:
10/100 Base-T RJ45 2x8 Integrated Magnetics Connector
10/100 BASE-T MAGNETICS

PCB Layout Mounting Hole (Top View)

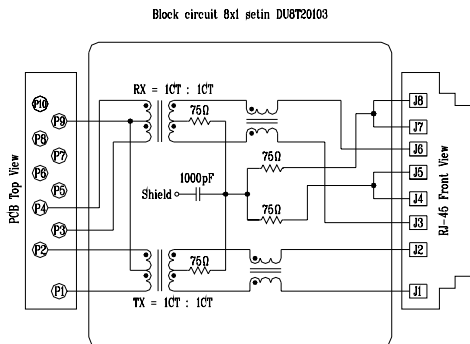
DU8XXXXX



Specification	Packing Manner	Q'ty per Tray	Q'ty/ Inner box	Q'ty/ Carton
DU8TXXXX	Tray	8	56	56

Schematics

DU8T20103



Ordering Information

