

BOTHHAND USA

“LAN-MATE” SERIES

SINGLE RJ45 CONNECTOR MODULE WITH INTEGRATED 10/100 BASE-TX MAGNETICS

P/N: KLU1T041 LF

Page 1/2

Feature



- RJ-45 needs to be matched FCC standard.
- Complies with requirement of IEEE 802.3u standards.
- RJ-45 connector integrated with transformer/impedance resistor/high voltage capacitor.
- Size same as RJ-45 connector to save PCB board space.
- Reduced EMI radiation to improve EMI performance.
- Design for 100 BASE transmission over UTP-5 cable.
- Compliance with ROHS requirements.
- Operating temperature range: 0 to +70 .
- Storage temperature range: -25 to +85 .

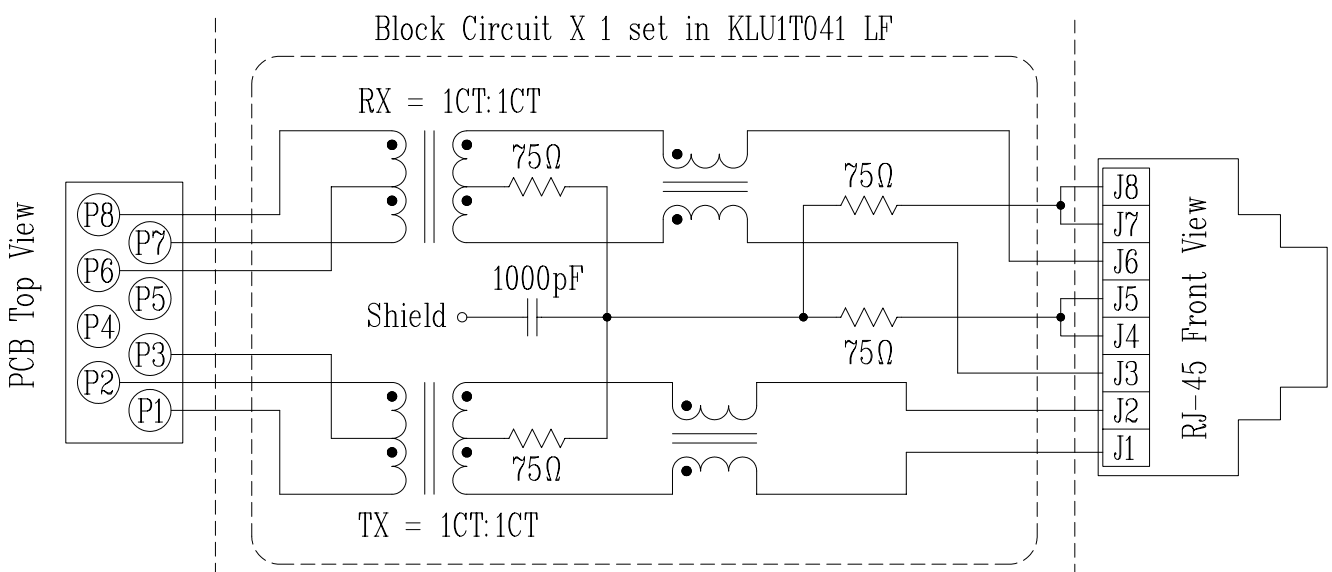
Electrical Specifications @ 25°C

Part Number	Turns Ratio (±5%)		OCL (uH Min) @ 100 KHz/0.1V with 8mA DC Bias	C _{ww} (pF Max)	L.L. (uH Max)	Insertion Loss (dB Max)	HI-POT (Vrms)
	TX	RX				0.3-100MHz	
KLU1T041 LF	1CT:1CT	1CT:1CT	350	28	0.4	-1.15	1500

Continue

Part Number	Return Loss (dB Min)					Cross talk (dB Min)			CMR (dB Min)		
	30MHz	40MHz	50MHz	60MHz	80MHz	0.3-30MHz	30-60MHz	60-100MHz	1-30MHz	30-60MHz	60-125MHz
KLU1T041 LF	-16	-14	-13.5	-13	-10	-40	-35	-30	-30	-25	-20

Schematic



BOTHHAND USA

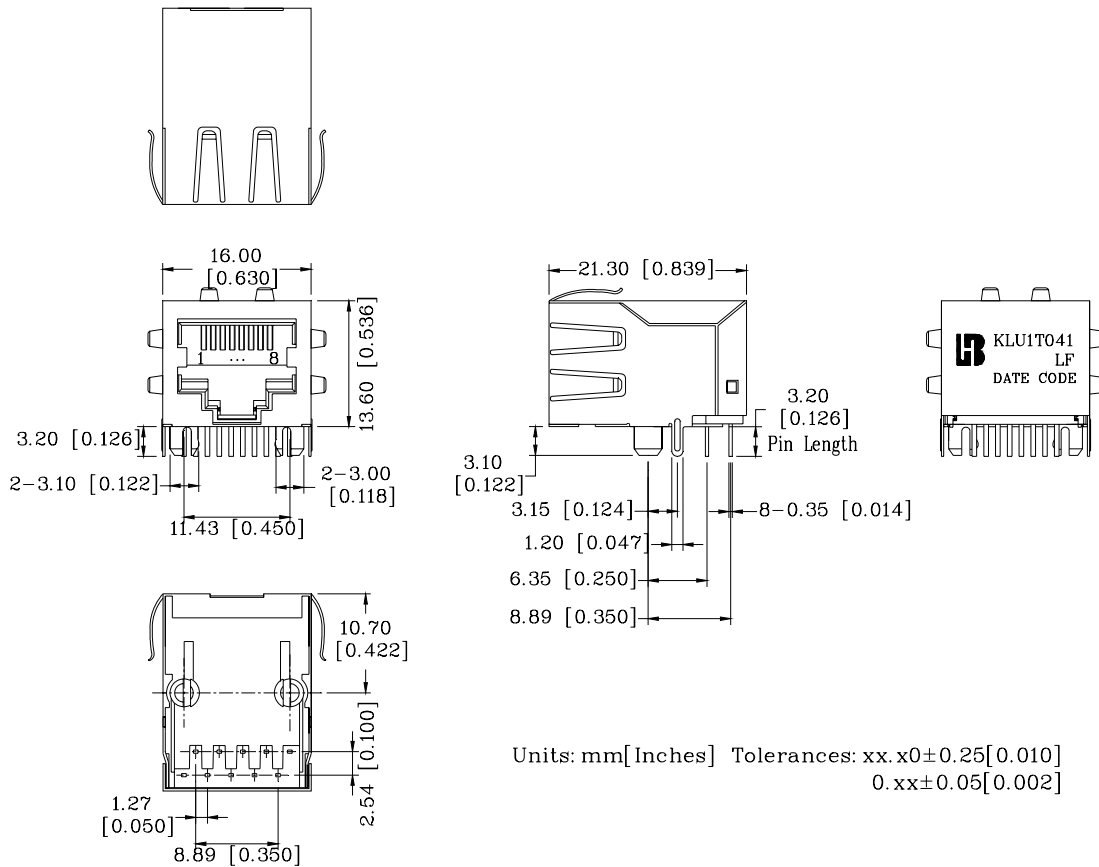
“LAN-MATE” SERIES

SINGLE RJ45 CONNECTOR MODULE WITH INTEGRATED 10/100 BASE-TX MAGNETICS

P/N: KLU1T041 LF

Page 2/2

Mechanical



- | | | |
|---------------------|---|---|
| 1. Plastic Material | : | Thermoplastic (UL 94V-0), Black Housing |
| 2. Metal Shield | : | Brass, 20u" inches thick Nickel |
| 3. Spring Wire | : | Phosphor bronze with selective gold plating |
| 4. Solder Pin | : | 0.5x0.35mm, SUS430 with solder Plated |
| 5. Durability | : | 750 Mating cycles Min. |

PCB Layout Mounting Hole (Top View)

