

“LAN-MATE” SERIES DESCRIPTION :
10/100 BASE-T RJ45 1 x 1 INTEGRATED
MAGNETICS CONNECTOR
P/N: KLU1T041X LF



Feature

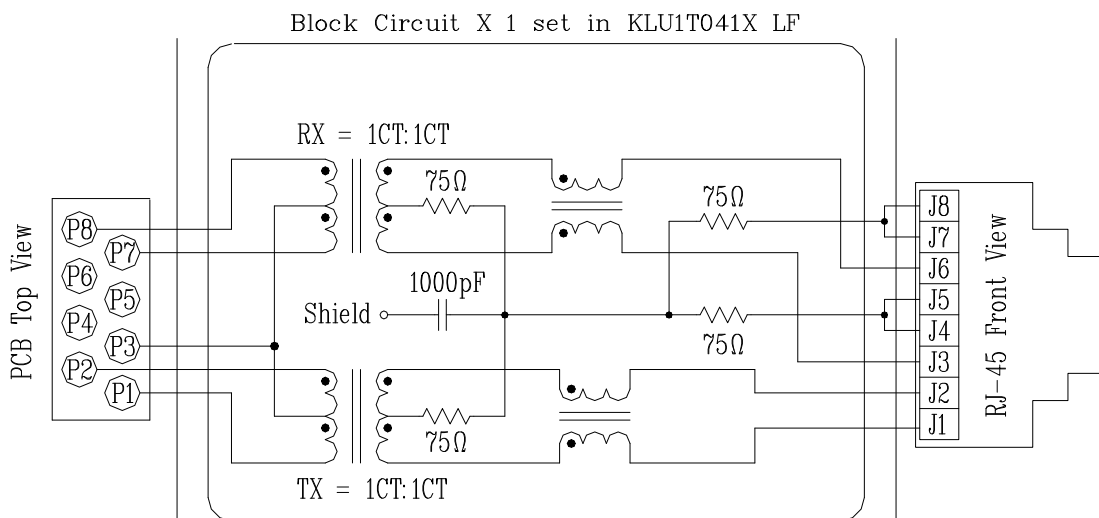


- RJ-45 needs to be matched FCC standard.
- Complies with requirement of IEEE 802.3u standards.
- RJ-45 connector integrated with transformer/impedance resistor/high voltage capacitor.
- Size same as RJ-45 connector to save PCB board space.
- Reduced EMI radiation to improve EMI performance.
- Design for 100 BASE transmission over UTP-5 cable.
- Compliance with ROHS requirements.
- Operating temperature range: 0°C to +70°C.
- Storage temperature range: -25°C to +85°C.

Electrical Specifications @ 25°C							
Part Number	Turns Ratio (±5%)		OCL (uH Min) @ 100 KHz/0.1V with 8mA DC Bias	C _{www} (pF Max)	L.L (uH Max)	Insertion Loss (dB Max) 0.3-100MHz	HI-POT (Vrms)
	TX	RX					
KLU1T041X LF	1CT:1CT	1CT:1CT	350	28	0.4	-1.15	1500

Continue											
Part Number	Return Loss (dB Min)					Cross talk (dB Min)			CMR (dB Min)		
	30MHz	40MHz	50MHz	60MHz	80MHz	0.3-30MHz	30-60MHz	60-100MHz	1-30MHz	30-60MHz	60-125MHz
KLU1T041X LF	-16	-14	-13.5	-13	-10	-40	-35	-30	-30	-25	-20

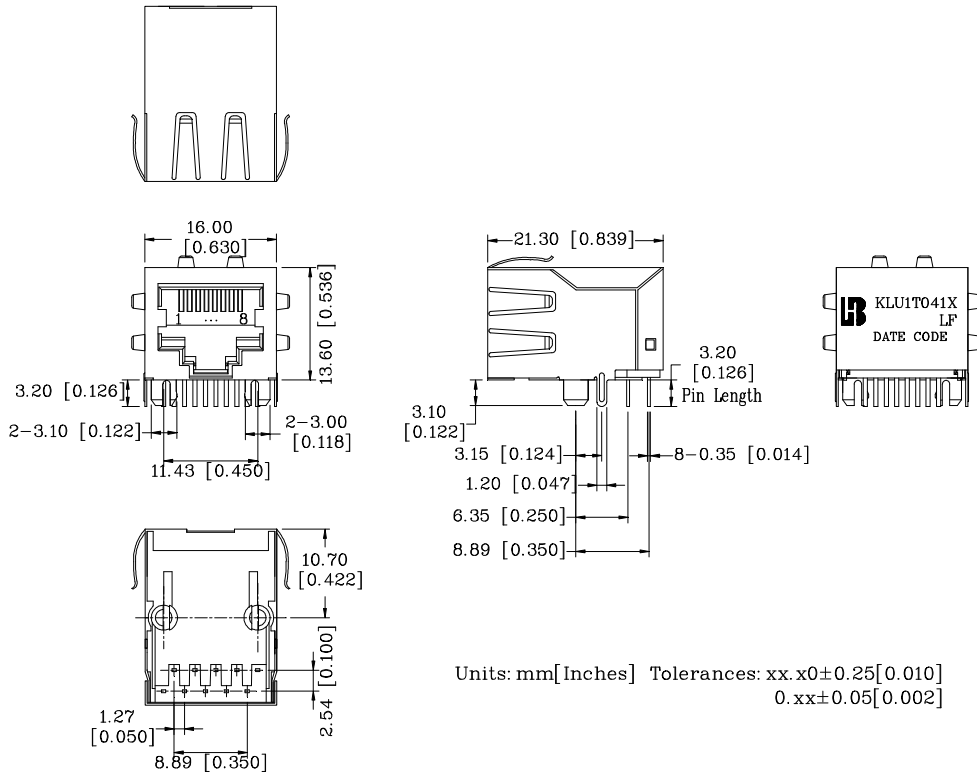
Schematic



“LAN-MATE” SERIES DESCRIPTION :
10/100 BASE-T RJ45 1 x 1 INTEGRATED
MAGNETICS CONNECTOR
P/N: KLU1T041X LF



Mechanical



- 1. Plastic Material : Thermoplastic (UL 94V-0), Black Housing
- 2. Metal Shield : Brass, 20u" inches thick Nickel
- 3. Spring Wire : 0.45mm Dia. Phosphor bronze with 0.1524×10^{-6} m gold plated & 1.524×10^{-6} m thick Nickel
- 4. Solder Pin : 0.5x0.35mm, SUS430 with solder Plated
- 5. Durability : 750 Mating cycles Min.

PCB Layout Mounting Hole(Top View)

