

“LAN-MATE” SERIES

SINGLE RJ45 CONNECTOR MODULE WITH INTEGRATED 10/100 BASE-TX MAGNETICS

P/N: KLU1T516 LF

Page:1/2

Feature



- Complies with requirement of IEEE 802.3u standards.
- RJ 45 connector with 10/100 BASE-TX magnetic.
- Compliance with ROHS requirements.
- Operating temperature range: 0 to +70 .
- Storage temperature range: -25 to +125 .

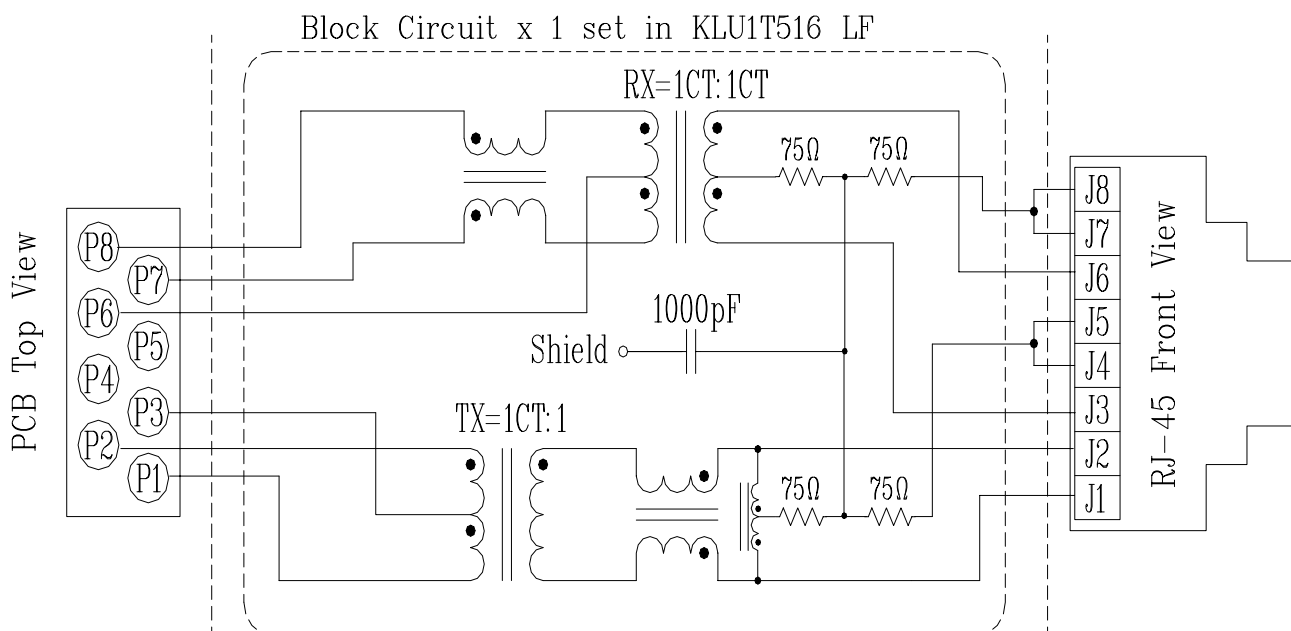
Electrical Specifications @ 25°C

Part Number	Turns Ratio (±5%)		OCL (uH Min) @ 100KHz/0.1V with 8mA DC Bias	C _{www} (pF Max)	L.L (uH Max)	Insertion Loss (dB Max) 0.3-100MHz	HI-POT (Vrms) 1500
	TX	RX					
KLU1T516 LF	1CT:1	1CT:1CT	350	28	0.4	-1.15	

Continue

Part Number	Return Loss (dB Min)					Cross talk (dB Min)			CMR (dB Min)		
	30MHz	40MHz	50MHz	60MHz	80MHz	0.3-30MHz	30-60MHz	60-100MHz	1-30MHz	30-60MHz	60-125MHz
KLU1T516 LF	-16	-14	-13.5	-13	-10	-40	-35	-30	-30	-25	-20

Schematic



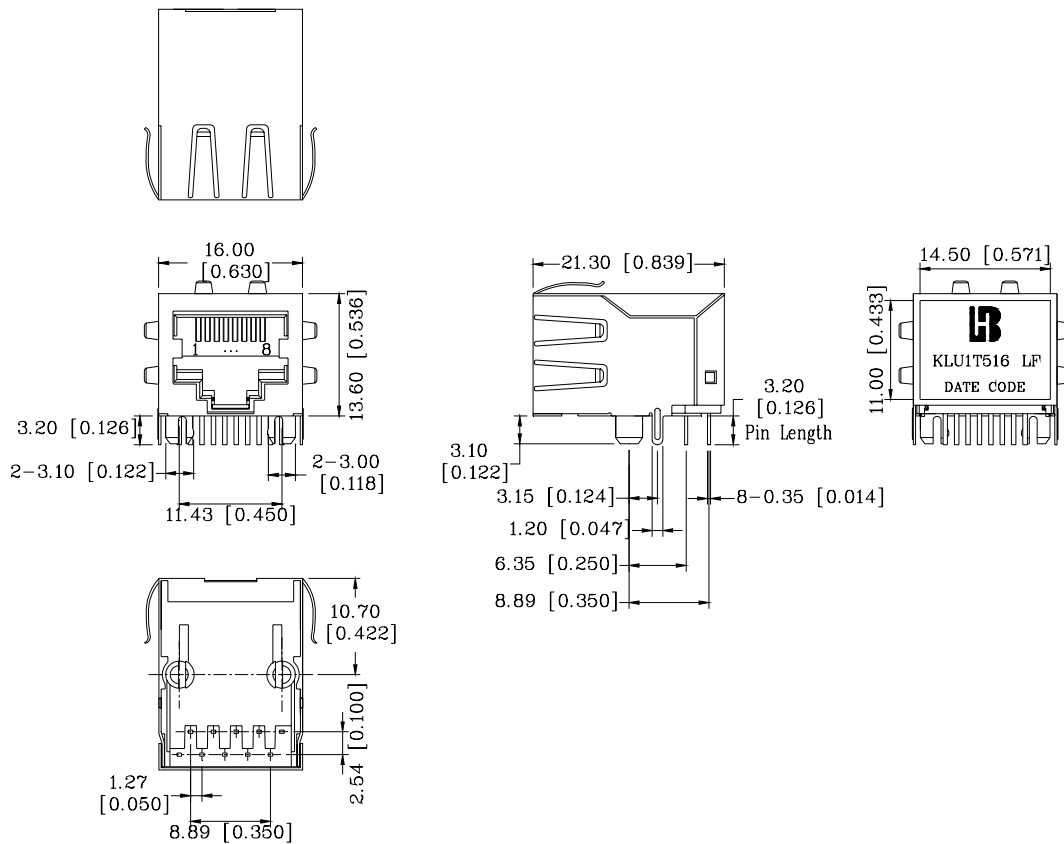
“LAN-MATE” SERIES

SINGLE RJ45 CONNECTOR MODULE WITH INTEGRATED 10/100 BASE-TX MAGNETICS

P/N: KLU1T516 LF

Page:2/2

Mechanical



1. Plastic Material : Thermoplastic (UL 94V-0), Black Housing
2. Metal Shield : Brass, 20u" inches thick Nickel
3. Spring Wire : Phosphor bronze with selective gold plating
4. Solder Pin : 0.5x0.35mm, SUS430 with solder Plated
5. Durability : 750 Mating cycles Min.

PCB Layout Mounting Hole(Top View)

