

**“LAN-MATE” SERIES**

**SINGLE RJ45 CONNECTOR MODULE WITH INTEGRATED 10 BASE-T MAGNETICS & FILTER**

P/N : LF1S022 LF

Page : 1/2

**Feature**



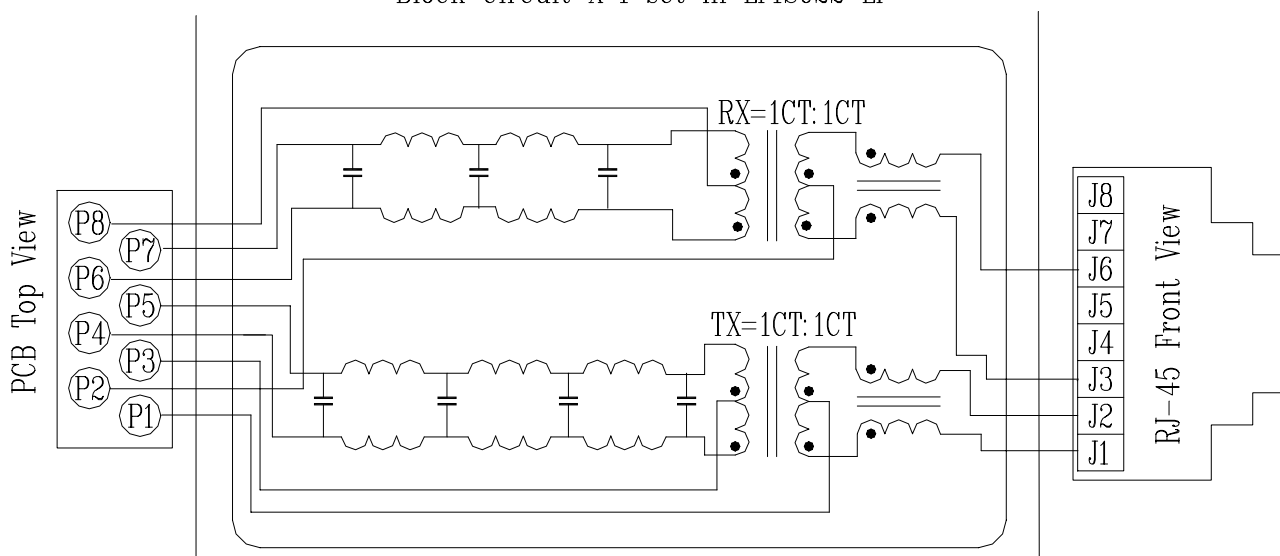
- RJ-45 connector integrated with filter.
- Size same as RJ-45 connector to save PCB Board space.
- Reduced EMI radiation to improve EMI performance.
- Comply with RoHS requirements-whole part No Cd, No Hg, No Cr6<sup>+</sup>, No PBB and PBDE and No Pb on external pins.
- Operating temperature range: 0 to +70 .
- Storage temperature range: -25 to +125 .

| Electrical Specifications @ 25°C |                   |         |                           |                                      |  |               |
|----------------------------------|-------------------|---------|---------------------------|--------------------------------------|--|---------------|
| Part Number                      | Turns Ratio (±5%) |         | CUT OFF Frequency (TX/RX) | Cross talk Attenuation TX/RX(dB Min) |  | HI-POT (Vrms) |
|                                  | TX                | RX      |                           | 1-10MHz                              |  |               |
| LF1S022 LF                       | 1CT:1CT           | 1CT:1CT | 17 MHz±1 MHz              | -30/-30                              |  | 1200          |

| Continue    |                              |                           |                           |         |         |         |                    |
|-------------|------------------------------|---------------------------|---------------------------|---------|---------|---------|--------------------|
| Part Number | Insertion Loss TX/RX(dB Max) | Return Loss TX/RX(dB Min) | Attenuation TX/RX(dB Min) |         |         |         | CMR TX/RX (dB Min) |
|             | 1-10MHz                      | 5-10MHz                   | 20MHz                     | 25MHz   | 30MHz   | 40MHz   | 30-100MHz          |
| LF1S022 LF  | -1.0                         | -13.5                     | -5/-4.2                   | -18/-11 | -28/-16 | -33/-26 | -30/-30            |

**Schematic**

Block Circuit X 1 set in LF1S022 LF

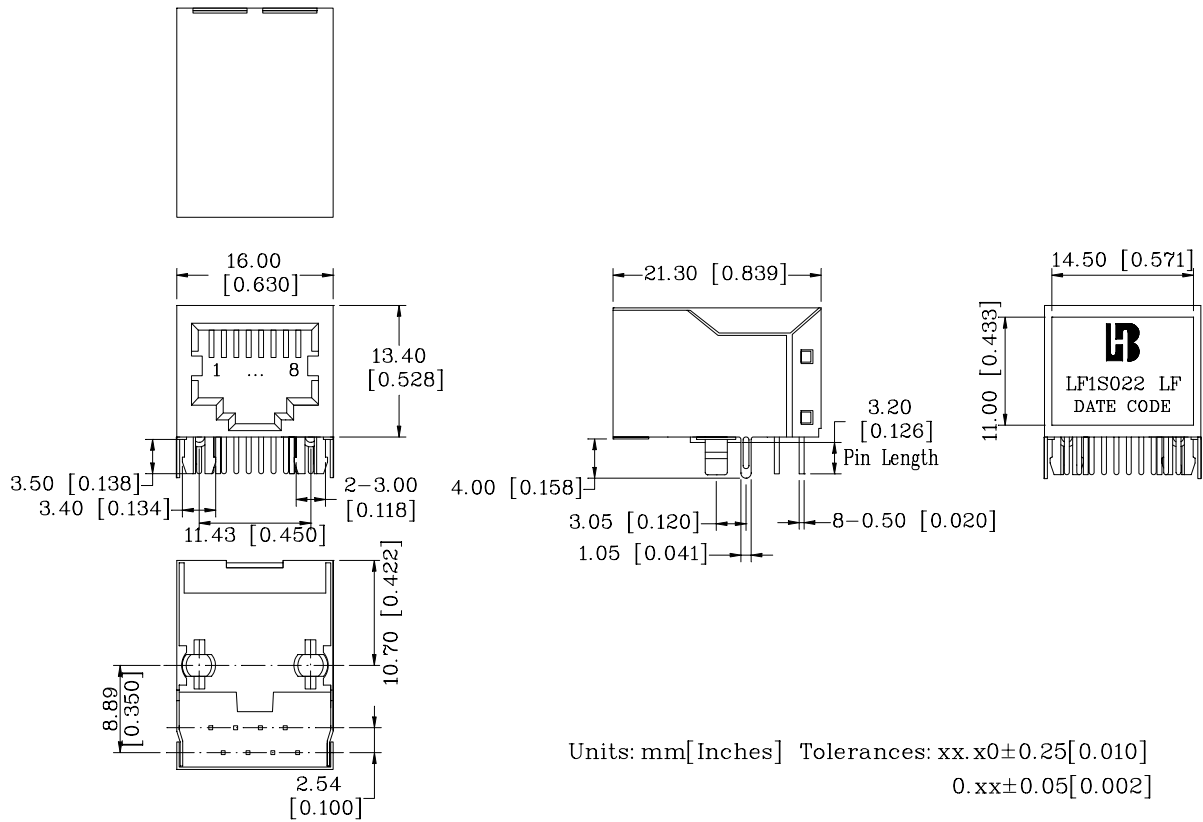


**“LAN-MATE” SERIES**

**SINGLE RJ45 CONNECTOR MODULE WITH INTEGRATED 10 BASE-T MAGNETICS & FILTER**

P/N : LF1S022 LF

**Mechanical**



- 1. Plastic Material : Thermoplastic (UL 94V-0), Black Housing
- 2. Metal Shield : Brass, 20u inches thick Nickel
- 3. Spring Wire : Phosphor bronze with selective gold plating
- 4. Solder Pin : 0.4x0.4mm, Phosphor bronze with solder Plated
- 5. Durability : 750 Mating cycles Min.

**PCB Layout Mounting Hole(Top View)**

