

“LAN-MATE” SERIES

SINGLE RJ45 CONNECTOR MODULE WITH INTEGRATED 10 BASE-T MAGNETICS & FILTER

P/N : LF1S028 LF

Page : 1/2

Feature



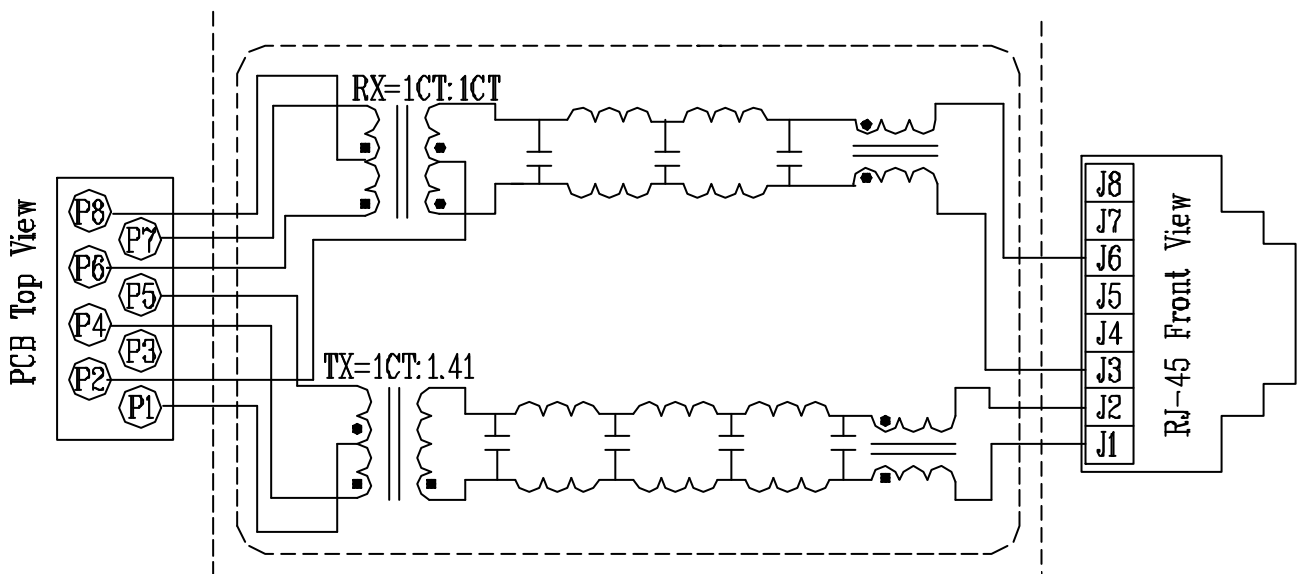
- RJ-45 needs to be matched FCC standard
- RJ-45 connector integrated with Filter.
- Size same as RJ-45 connector to save PCB Board space.
- Reduced EMI radiation to improve EMI performance.
- Comply with RoHS requirements-whole part No Cd, No Hg, No Cr6+, No PBB and PBDE and No Pb on external pins.
- Operating temperature range: 0 to +70 .
- Storage temperature range: -25 to +125 .

Electrical Specifications @ 25° C						
Part Number	Turns Ratio (±5%)		CUT OFF Frequency (TX/RX)	Cross talk Attenuation (dB Min) TX/RX		HI-POT (Vrms)
	TX	RX		1-10MHz		
LF1S028 LF	1CT:1.41	1CT:1CT	17 MHz±1.5 MHz	-30/-30		1200

Continue							
Part Number	Insertion Loss (dB Max) TX/RX	Return Loss (dB Min) TX/RX	Attenuation (dB Min) TX/RX				CMR (dB Min) TX/RX
	1-10MHz	5-10MHz	20MHz	25MHz	30MHz	40MHz	30-100MHz
LF1S028 LF	-1.15	-16	-5/-4.2	-18/-11	-28/-16	-33/-26	-30/-30

Schematic

Block Circuit x 1 set in LF1S028 LF



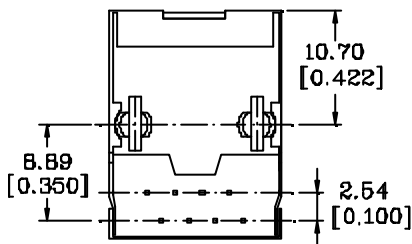
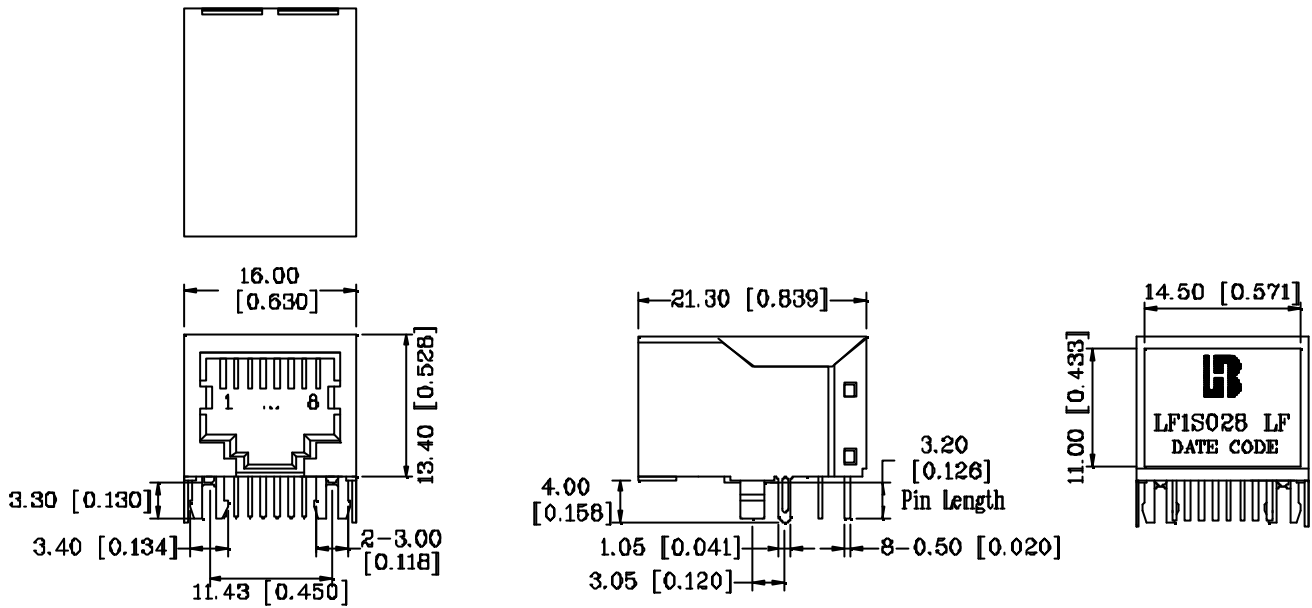
“LAN-MATE” SERIES

SINGLE RJ45 CONNECTOR MODULE WITH INTEGRATED 10 BASE-T MAGNETICS & FILTER

P/N : LF1S028 LF

Page : 2/2

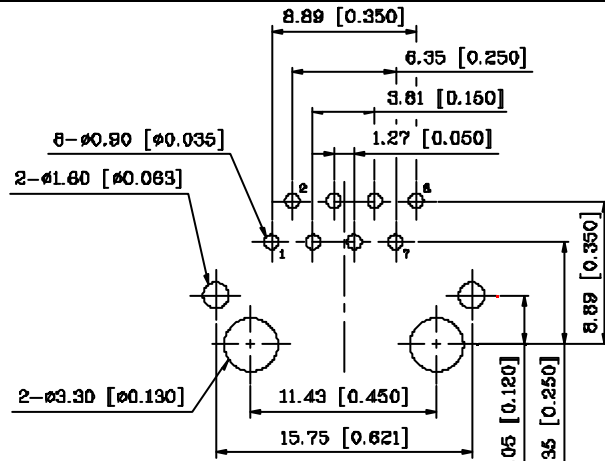
Mechanical



Units: mm [Inches] Tolerances: xx.x0±0.25 [0.010]
0.xx±0.05 [0.002]

- 1. Plastic Material : Thermoplastic (UL 94V-0), Black Housing
- 2. Metal Shield : Brass, 20u" inches thick Nickel
- 3. Spring Wire : Phosphor bronze with selective gold plating
- 4. Solder Pin : 0.4x0.4mm, Phosphor bronze with solder Plated
- 5. Durability : 750 Mating cycles Min.

PCB Layout Mounting Hole(Top View)



Units: mm [Inches] Tolerances: xx.x0±0.25 [0.010]
0.xx±0.05 [0.002]