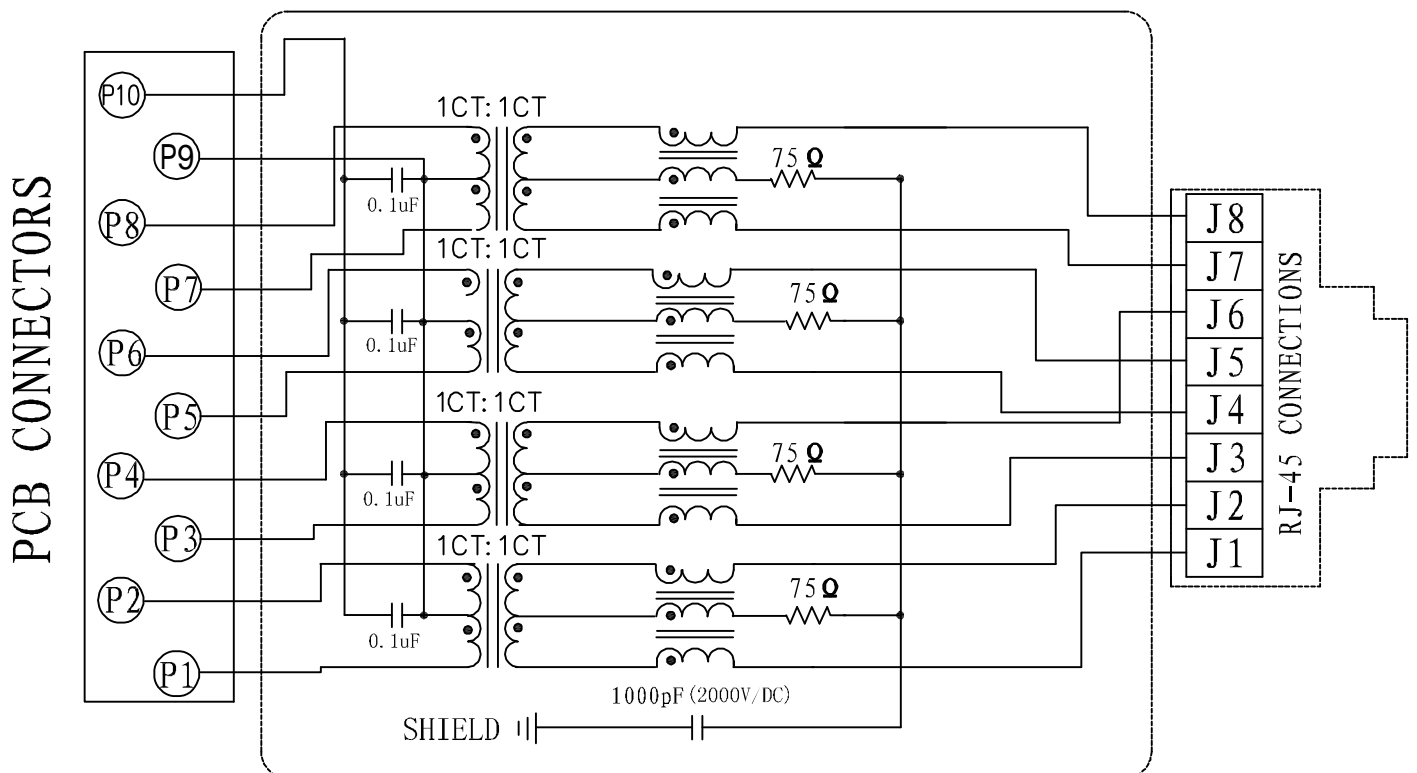


**2\*4 Port RJ-45 Jack****With 100/1000 Base-T Magnetics Module****1. Electrical Specifications:@25°C**

- 1.1. Isolation Voltage: 1500V/AC(Input to Output)
- 1.2. OCL:350uH Minimum @100KHz 100mV 8mA DC
- 1.3. Insertion Loss: -1.2dB Maximum @100KHz-100MHz
- 1.4. Return Loss: -18dB Minimum @1MHz-30MHz
  - 14dB Minimum @30MHz-60MHz
  - 12dB Minimum @60MHz-80MHz
  - 10dB Minimum @80MHz-100MHz
- 1.5. Common Mode Rejection: -30dB Minimum @1MHz-100MHz
- 1.6. Cross Talk: -30dB Minimum @1MHz-100MHz

**2. Operating and Storage Temperature:**

- 2.1. Operating Temperature:-40°C to +85°C
- 2.2 .Storage Temperature:-40°C to +85°C

**3. Schematics:**

P/N:  
SDA4T10304

Units: mm

Scale: None

Unless otherwise stated  
otherwise tolerances as follows:  
.XXX ±0.10 .XX ±0.30 .X± 0.35  
ANG ±3°

Rev: A

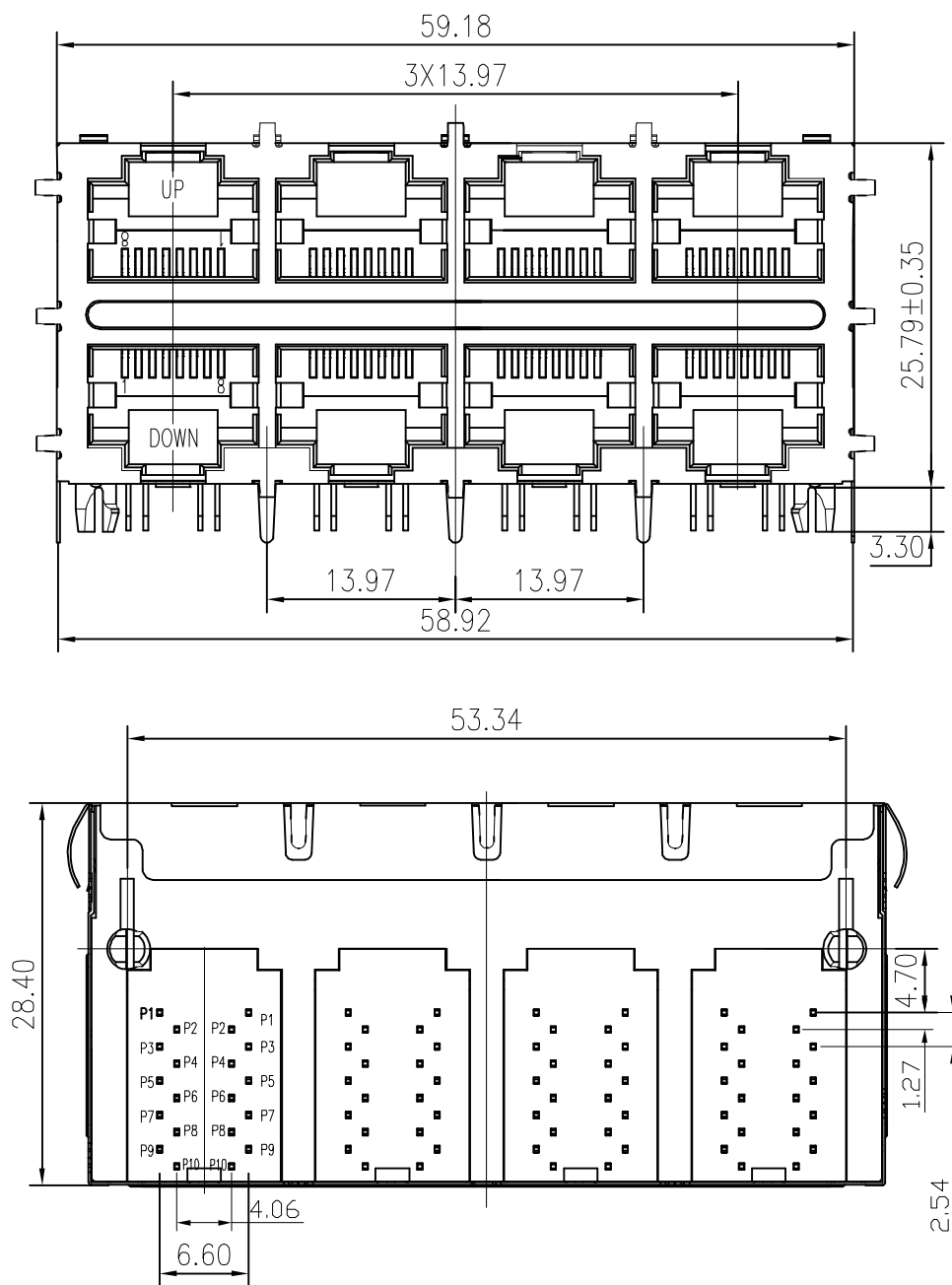
Page: 1/2

Draw : KING Date:2008/05/08

Checked : PETER Date:2008/05/08

2\*4 Port RJ-45 Jack  
With 100/1000 Base-T Magnetics Module

4. Mechanicals:



ROHS

4.1. Connector Material:

- Housing: Thermoplastic UL94 V-0
- Contact/Shield: Cooper alloy
- Shield Plating: Nickel
- Contact Plating: Selective gold 6u"; 15u"; 30u"; 50u"Min

4.2. Tolerances comply with F. C. C dimension requirements

4.3. Durability: 800 mating Min

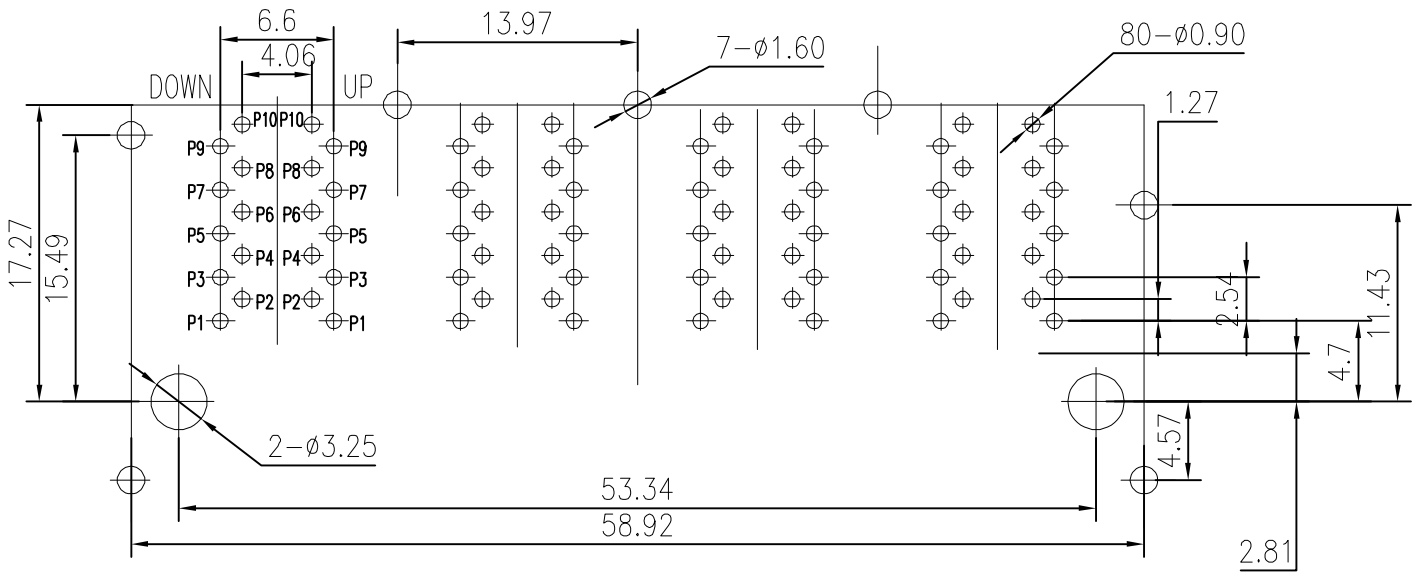
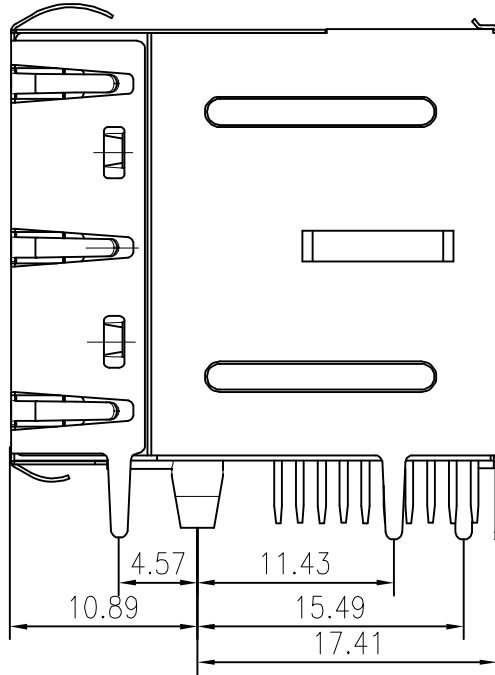
4.4. Meets or Exceeds IEEE802.3af standards including 350uH Min OCL @100KHz 100mV 8mA DC

P/N: SDA4T10304	Units: mm	Unless otherwise stated otherwise tolerances as follows: .XXX ±0.10 .XX ±0.30 .X ± 0.35 ANG ±3°	Rev: A	Draw : KING	Date: 2008/05/08
	Scale: None		Page: 3/2	Checked : PETER	Date: 2008/05/08
<a href="http://www.bothhandUSA.com">http://www.bothhandUSA.com</a>			462 Boston St, Topsfield, MA 01983		Approved: PETER Date: 2008/05/08

2\*4 Port RJ-45 Jack

With 100/1000 Base-T Magnetics Module

4. Mechanicals:



P. C. B RECOMMENDED HOLE LAYOUT SEEN FROM COMPONENT SIDE.  
ALL CENTERLINE DIMENSIONS ARE BASIC

4.1. Connector Material:

- Housing: Thermoplastic UL94 V-0
- Contact/Shield: Cooper alloy
- Shield Plating: Nickel
- Contact Plating: Selective gold 6u"; 15u"; 30u"; 50u" Min

4.2. Tolerances comply with F.C.C dimension requirements

4.3. Durability: 800 mating Min

4.4. Meets or Exceeds IEEE802.3af standards including 350uH Min OCL @100KHz 100mV 8mA DC

P/N: <b>SDA4T10304</b>	Units: mm	Unless otherwise stated otherwise tolerances as follows: .XXX ±0.10 .XX ±0.30 .X ± 0.35 ANG ±3°	Rev: A	Draw : KING	Date: 2008/05/08
	Scale: None		Page: 3/3	Checked : PETER	Date: 2008/05/08
<b>http://www.bothhandUSA.com</b>			462 Boston St, Topsfield, MA 01983	Approved: PETER	Date: 2008/05/08