

1\*1 Port RJ-45 Jack

With 100/1000 Base-T Magnetics Module

1. Electrical Specifications:@25°C

1.1. Isolation Voltage: 1500V/AC(Input to Output)

1.2. OCL:350uH Minimum @100KHz 100mV 8mA DC

1.3. Insertion Loss: -1.2dB Maximum @100KHz-100MHz

1.4. Return Loss: -18dB Minimum @1MHz-30MHz

-14dB Minimum @30MHz-60MHz

-12dB Minimum @60MHz-80MHz

-10dB Minimum @80MHz-100MHz

1.5. Common Mode Rejection: -30dB Minimum @1MHz-100MHz

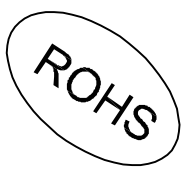
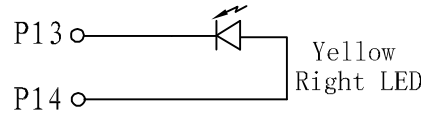
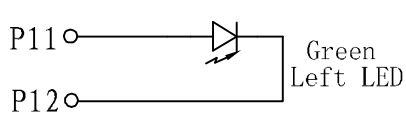
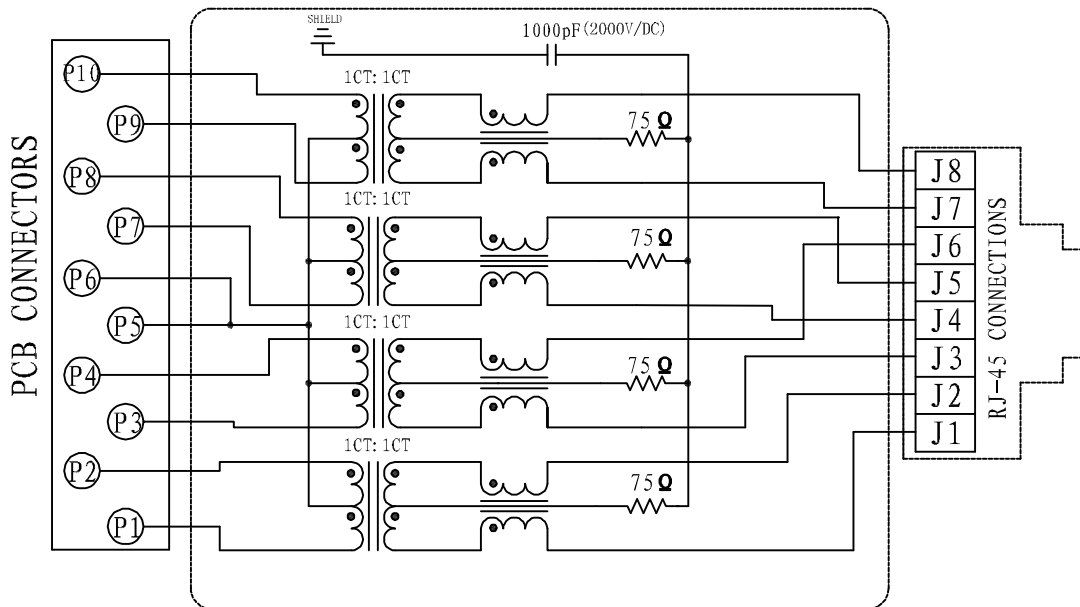
1.6. Cross Talk: -30dB Minimum @1MHz-100MHz

2. Operating and Storage Temperature:

2.1. Operating Temperature:-40°C to +85°C

2.2 .Storage Temperature:-40°C to +85°C

3. Schematics:

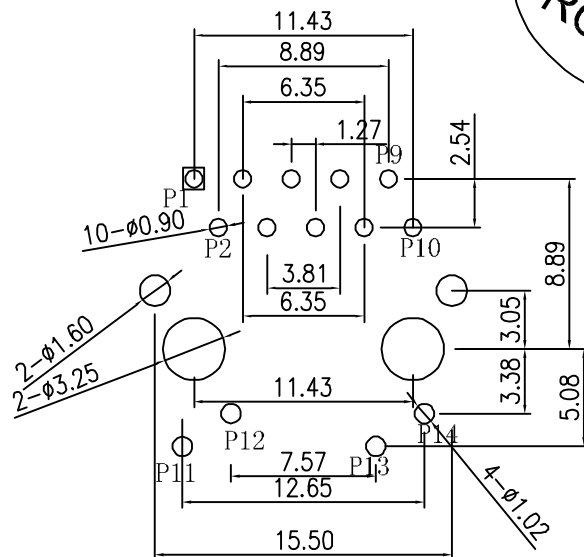
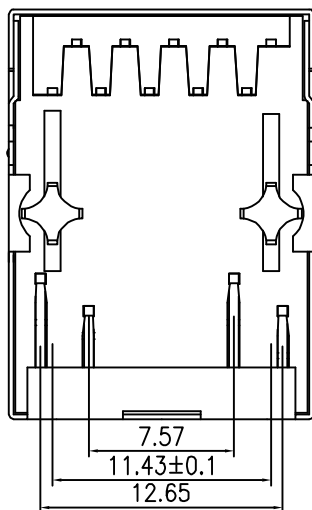
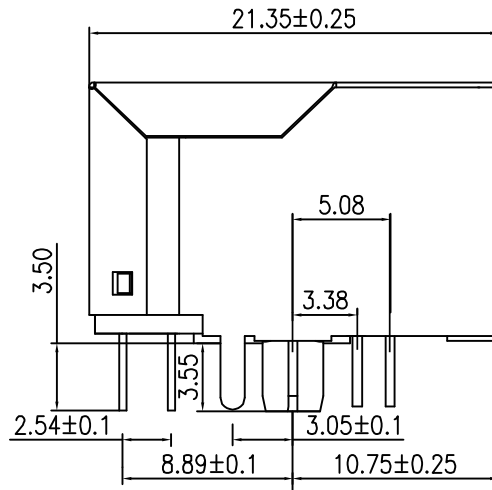
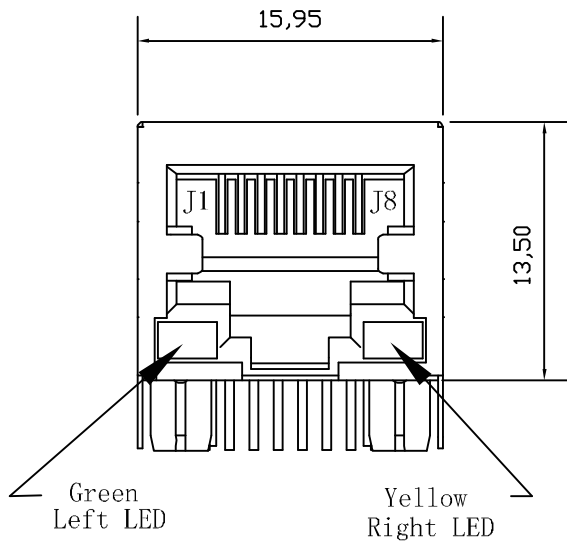


P/N: SKLA1S109-43	Units: mm	Unless otherwise stated otherwise tolerances as follows: .XX ±0.25	Rev: A	Draw : Kal	Date:2010/05/08
	Scale: None		Page: 1/2	Checked : Ansom	Date:2010/05/08
<a href="http://www.bothhandUSA.com">http://www.bothhandUSA.com</a>			462 Boston St, Topsfield, MA 01983	Approved: Ansom	Date:2010/05/08

1\*1 Port RJ-45 Jack

With 100/1000 Base-T Magnetics Module

4. Mechanicals:



ROHS

P. C. B RECOMMENDED HOLE LAYOUT SEEN FROM COMPONENT SIDE.

ALL CENTERLINE DIMENSIONS ARE BASIC

LED Specification

Standard LED Color	LED Wavelength	Forward (V MAX)	Typical (V TYP)	Luminous Intensity
Green	560-580 nm	2.5V	2.1-2.2V	9-25 MCD
Yellow	580-610 nm	2.5V	2.1-2.2V	9-30 MCD

- LED intensity/wavelength measured with Photo Research PR-650 Colormeter
- With a forward current of 20 mA, Absolute Maximum Ratings (Ta=25°C)

4.1. Connector Material:

Housing:Thermoplastic UL94 V-0

Contact/Shield:Cooper alloy

Shield Plating:Nickel

Contact Plating:Selective gold 6u" ; 15u" ; 30u" ; 50u"Min

4.2. Tolerances comply with F.C.C dimension requirements

4.3. Durability:800 mating Min

4.4. Meets or Exceeds IEEE802.3af standards including 350uH Min OCL @100KHz 100mV 8mA DC

P/N: SKLA1S109-43	Units: mm	Unless otherwise stated otherwise tolerances as follows: .XX ±0.25	Rev: A	Draw : Kal	Date:2010/05/08
	Scale: None		Page: 2/2	Checked : Ansom	Date:2010/05/08
<a href="http://www.bothhandUSA.com">http://www.bothhandUSA.com</a>			462 Boston St, Topsfield, MA 01983	Approved: Ansom	Date:2010/05/08