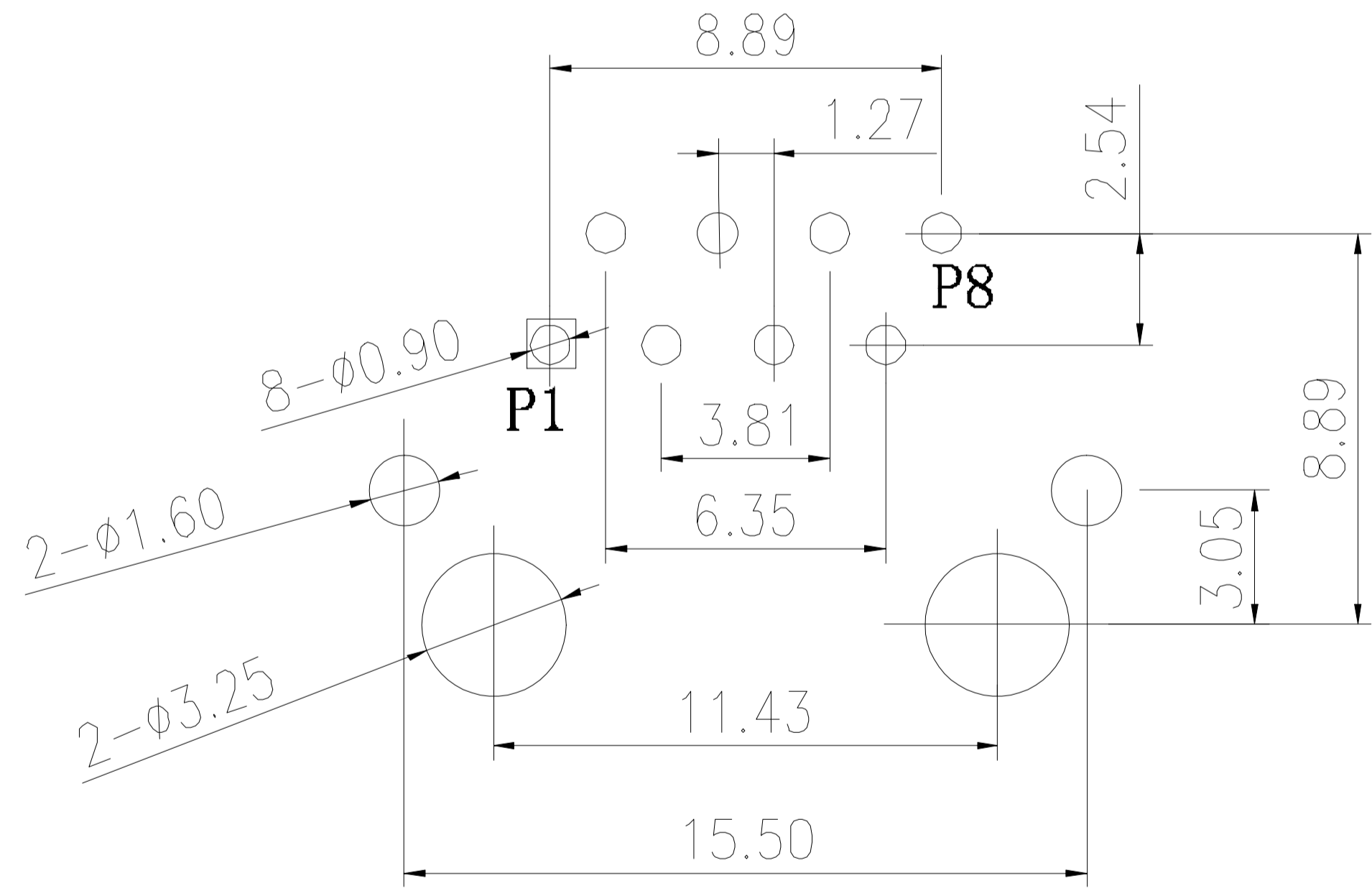
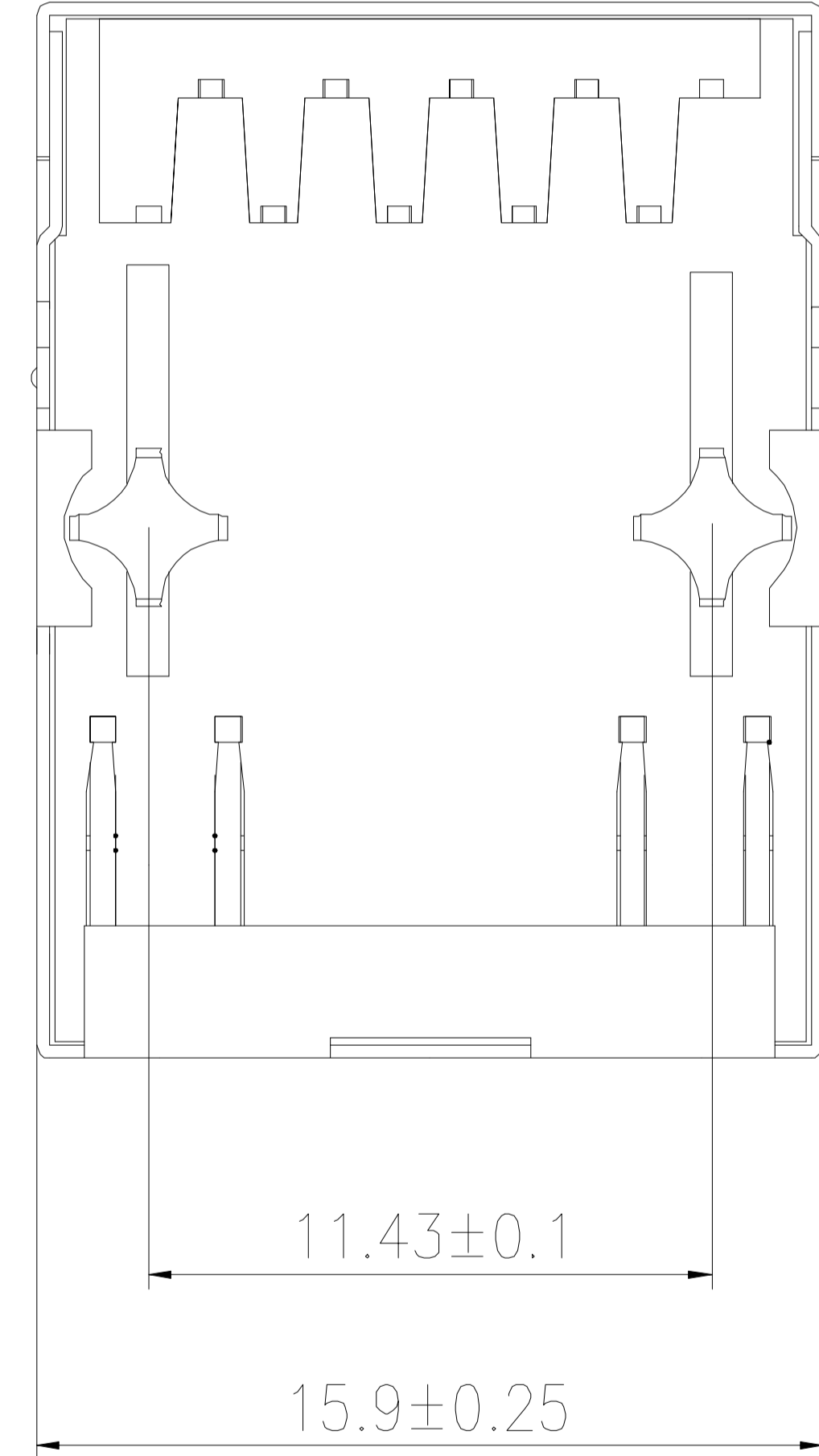


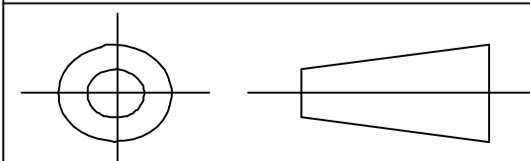
- 1.1. Connector Material:  
 Housing: Thermoplastic UL94 V-0  
 Contact/Shield: Cooper alloy  
 Shield Plating: Nickel  
 Contact Plating: Selective gold 6U" Min
- 1.2. Tolerances comply with F.C.C dimension requirements
- 1.3. Durability: 800 Mating Min



PCB RECOMMENDED HOLE LAYOUT SEEN FROM COMPONET SIDE

**Bothhand USA**

www.bothhandUSA.com sales@bothhandusa.com

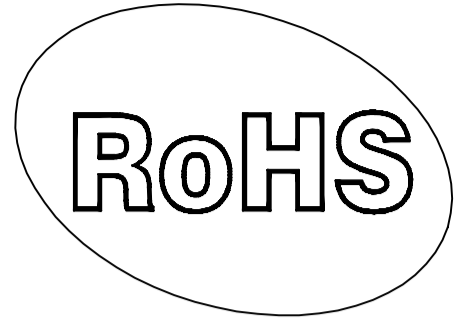


UNIT: mm[inch]  
 SHEET: 1 of 2  
 REV: 01

GENERAL TOLERANCE	
X°±3.0°	X±0.50
.X°±2.0°	.X±0.38
.XX°±1.0°	.XX±0.25
.XXX°±0.5°	.XXX±0.15

DRAWING	MU DU
CHECKED	PAUL WANG
APPROVED	PAUL WANG
DATE	2012/12/18

RJ45 CONNECTOR, 1*1, 10/100Base, W/LED, 6U	
SKLU1S041C LF	



- 2. Electrical Specifications:@25°c
- 2.1. Isolation Voltage: 1500V/AC(Input to Output)
- 2.2. OCL: 350uH Minimum @100KHz 100mV 8mA DC
- 2.3. Instertion Loss:-1.2dB Maxmum @100KHz-100MHz
- 2.4. Return Loss: -18dB Minimum @1MHz-30MHz

-14dB Minimum @30MHz-60MHz  
 -12dB Minimum @60MHz-80MHz

2.5. Common Mode Rejection: -30dB Minimum @1MHz-100MHz

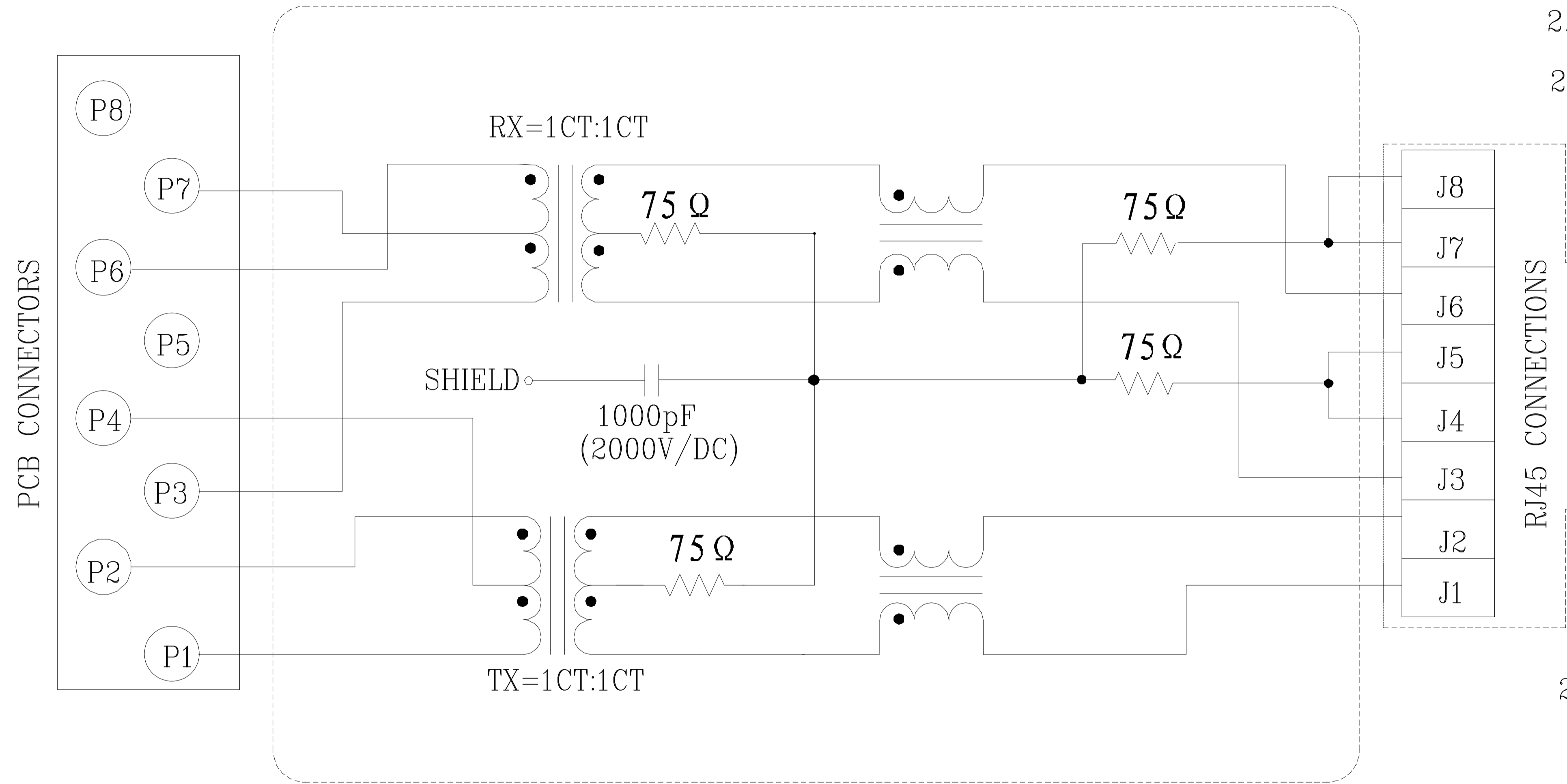
2.6. Cross Talk: -30dB Minimum @1MHz-100MHz

3. Operating and Storage Temperature:

3.1. Operationg Temperature:-40°c to 85°c

3.2. Storage Temperature:-40°c to 85°c

4. Schematic:



**Bothhand USA**  
 www.bothhandUSA.com sales@bothhandusa.com

GENERAL TOLERANCE	
X°±3.0°	X±0.50
.X°±2.0°	.X±0.38
.XX°±1.0°	.XX±0.25
.XXX°±0.5°	.XXX±0.15

DRAWING	MU DU
CHECKED	PAUL WANG
APPROVED	PAUL WANG
DATE	2012/12/18

RJ45 CONNECTOR, 1*1, 10/100Base, w/D LED, 6U
<b>SKLU1S041C LF</b>

UNIT	SHEET	REV
mm[inch]	2 of 2	01