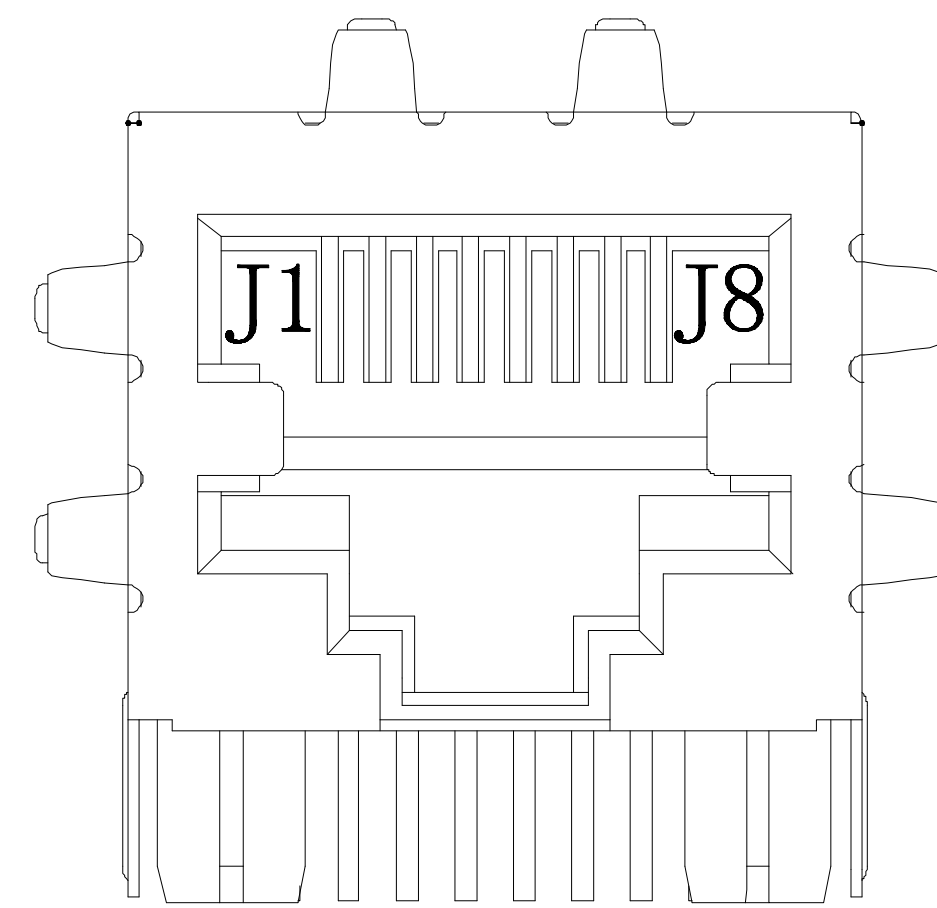
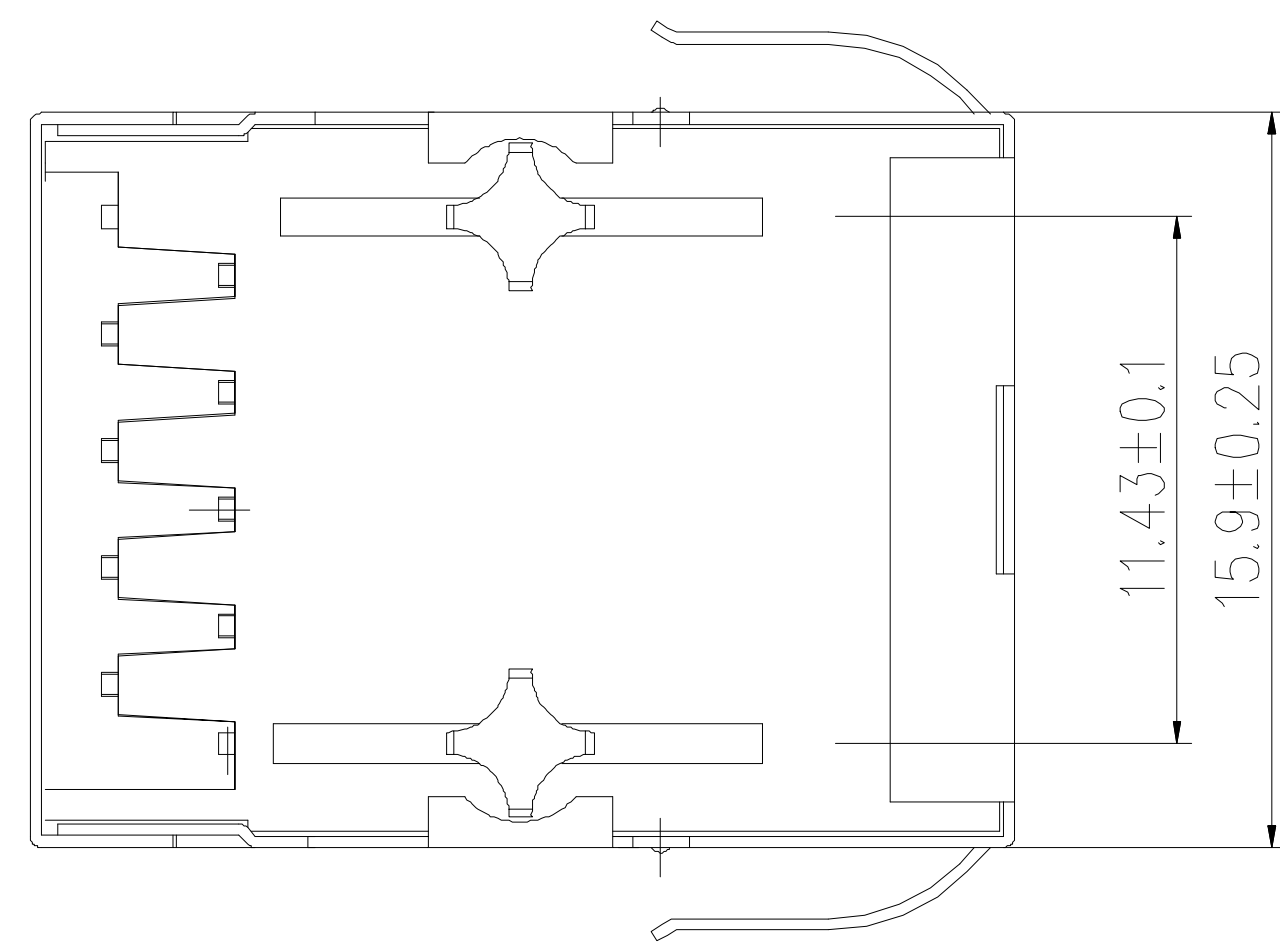
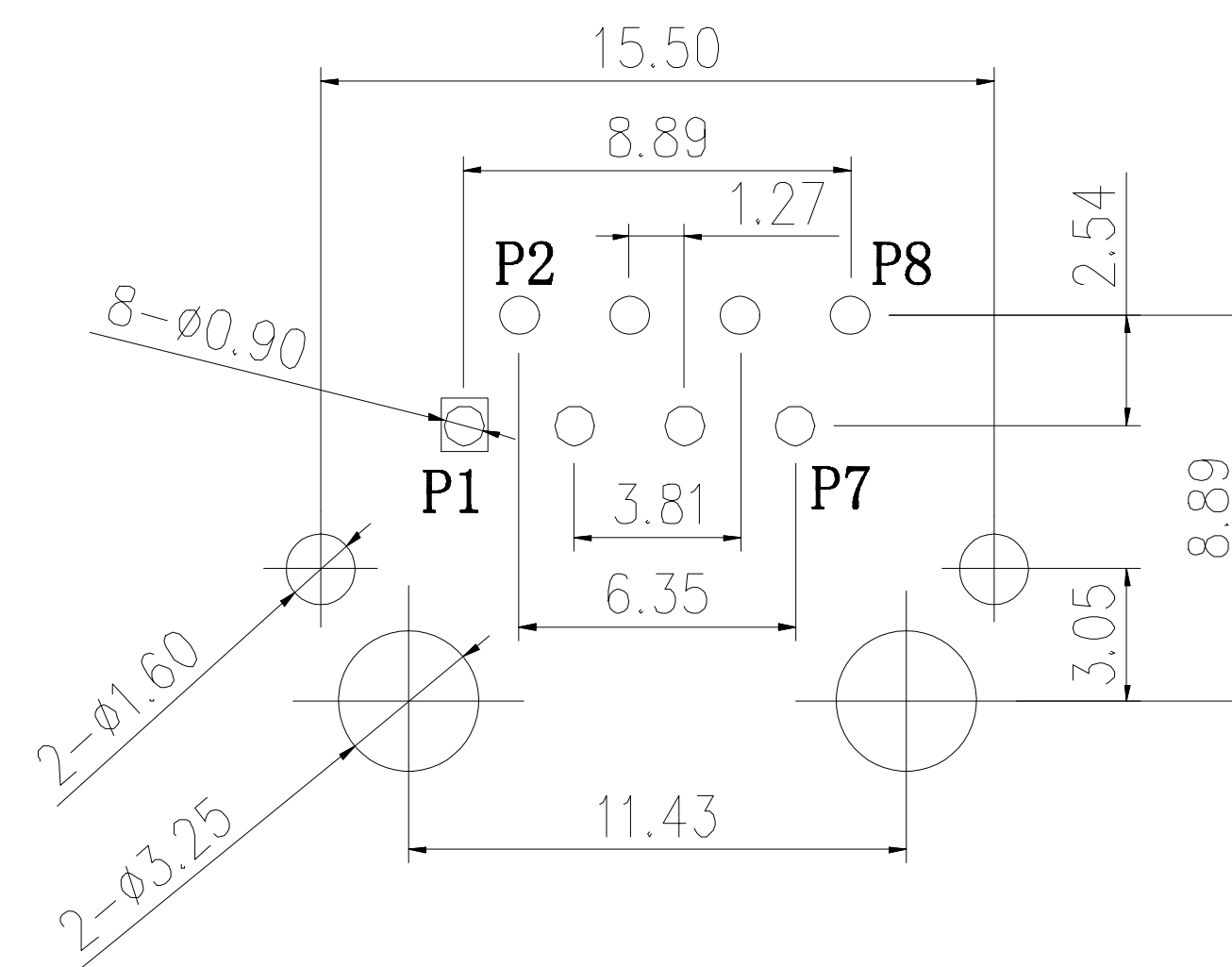
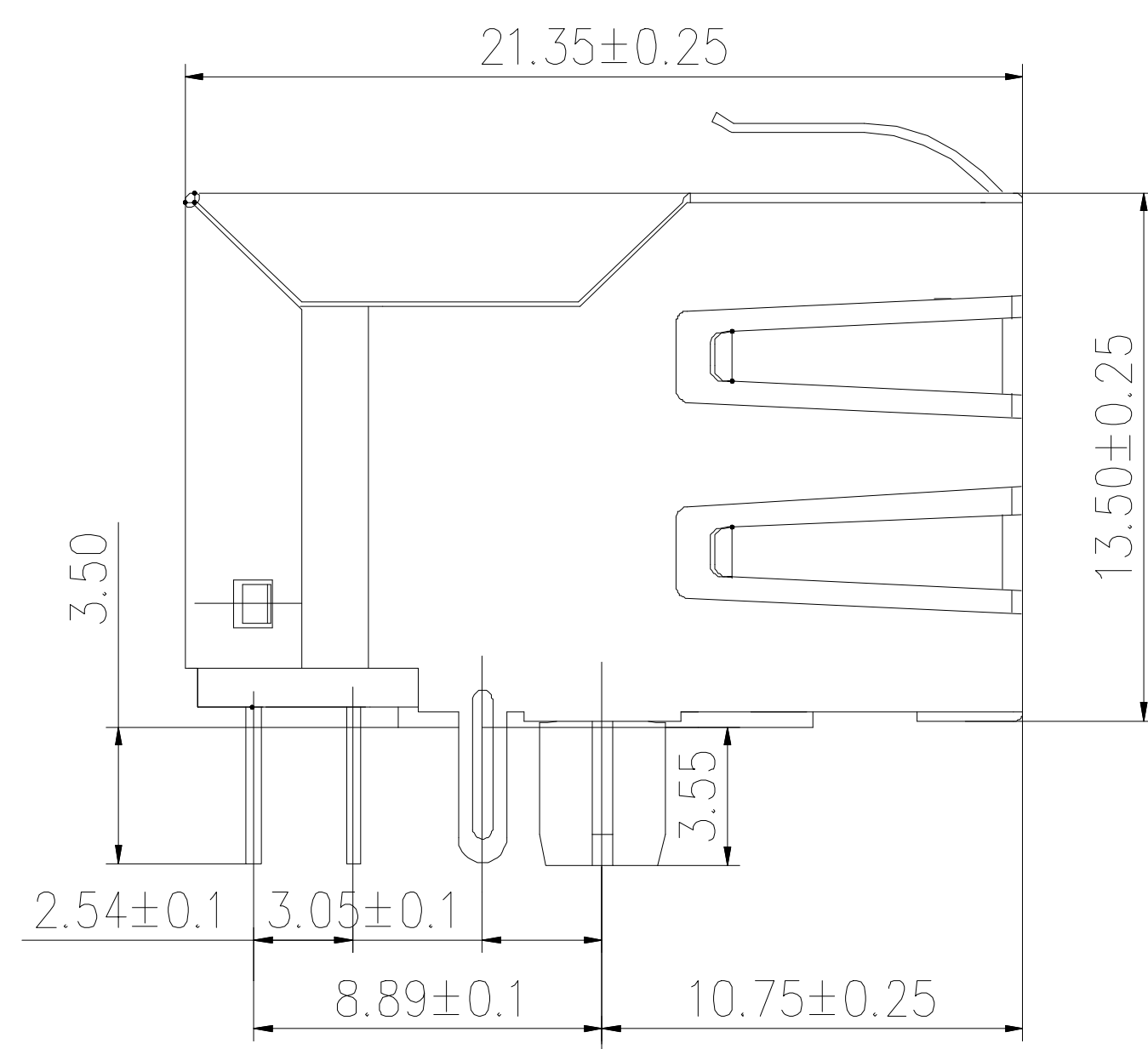


RoHS



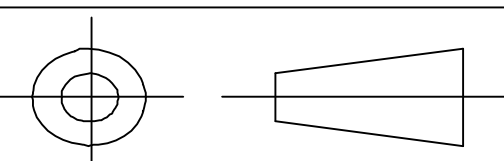
- 1.1. Connector Material:
  - Housing: Thermoplastic UL94 V-0
  - Contact/Shield: Cooper alloy
  - Shield Plating: Nickel
  - Contact Plating: Selective gold 6U" Min
- 1.2. Tolerances comply with F.C.C dimension requirements
- 1.3. Durability: 800 Mating Min



PCB RECOMMENDED HOLE LAYOUT SEEN FROM COMPONET SIDE

Bothhand USA

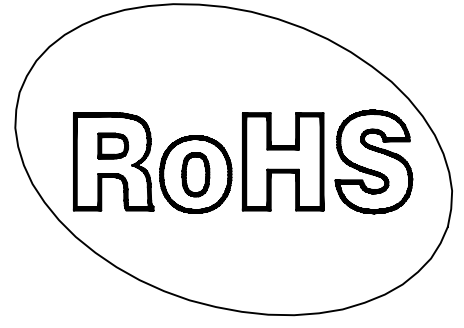
www.bothhandUSA.com sales@bothhandusa.com



UNIT: mm[inch]  
SHEET: 1 of 2  
REV: 01

GENERAL TOLERANCE		DRAWING	MU DU
X°±3.0°	X±0.50	CHECKED	PAUL WANG
.X°±2.0°	.X±0.38	APPROVED	PAUL WANG
.XX°±1.0°	.XX±0.25	DATE	2011/10/12
.XXX°±0.5°	.XXX±0.15		

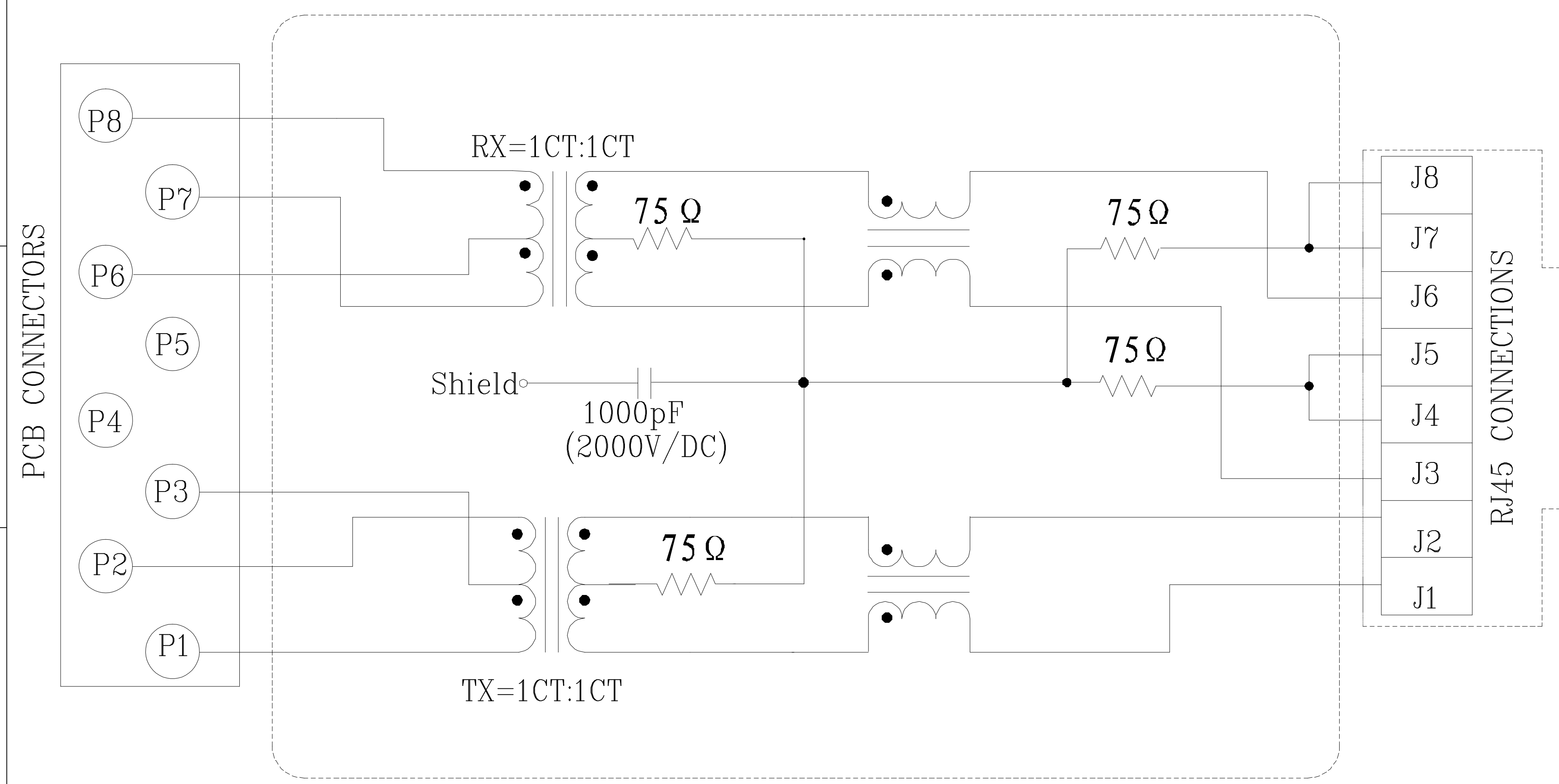
RJ45 CONNECTOR, 1*1, 10/100Base, W/D LED, 6U	
SKLU1T041 LF	



- 2. Electrical Specifications:@25°C
- 2.1. Isolation Voltage: 1500V/AC(Input to Output)
- 2.2. OCL: 350uH Minimum @100KHz 100mV 8mA DC
- 2.3. Insertion Loss:-1.2dB Maximum @100KHz-100MHz
- 2.4. Return Loss: -18dB Minimum @1MHz-30MHz
  - 14dB Minimum @30MHz-60MHz
  - 12dB Minimum @60MHz-80MHz

- 2.5. Common Mode Rejection: -30dB Minimum @1MHz-100MHz
- 2.6. Cross Talk: -30dB Minimum @1MHz-100MHz
- 3. Operating and Storage Temperature:
  - 3.1. Operating Temperature:-40°C to 85°C
  - 3.2. Storage Temperature:-40°C to 85°C

4. Schematic:



**Bothhand USA**  
 www.bothhandUSA.com sales@bothhandusa.com

GENERAL TOLERANCE	
X°±3.0°	X±0.50
.X°±2.0°	.X±0.38
.XX°±1.0°	.XX±0.25
.XXX°±0.5°	.XXX±0.15

DRAWING	MU DU
CHECKED	PAUL WANG
APPROVED	PAUL WANG
DATE	2011/10/12

RJ45 CONNECTOR, 1*1, 10/100Base, W/D LED, 6U
<b>SKLU1T041 LF</b>

UNIT	SHEET	REV
mm[inch]	2 of 2	01