

1.1. Connector Material:

Housing: Thermoplastic UL94 V-0

Contact/Shield: Cooper alloy

Shield Plating: Nickel

Contact Plating: Selective gold 6U" Min

1.2. Tolerances comply with F.C.C dimension requirements

1.3. Durability: 800 Mating Min

LED Specification

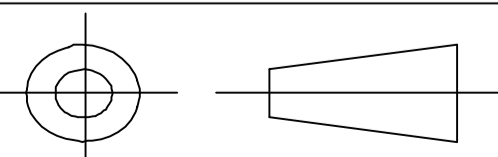
Standard LED Color	LED Wavelength	Forward (V MAX)	Typical (V TYP)	Luminous Intensity
Green	560-580 nm	2.5V	2.1-2.2V	9-25 MCD
Yellow	580-610 nm	2.5V	2.1-2.2V	9-30 MCD

- LED intensity/wavelength measured with Photo Research PR-650 Colormeter
- With a forward current of 20 mA, Absolute Maximum Ratings (Ta=25°C)

PCB RECOMMENDED HOLE LAYOUT SEEN FROM COMPONENT SIDE

Bothhand USA

www.bothhandUSA.com sales@bothhandusa.com



UNIT mm[inch] SHEET 1 of 2 REV 01

GENERAL TOLERANCE

X°±3.0°	X±0.50
.X°±2.0°	.X±0.38
.XX°±1.0°	.XX±0.25
.XXX°±0.5°	.XXX±0.15

DRAWING

MU DU

CHECKED

PAUL WANG

APPROVED

PAUL WANG

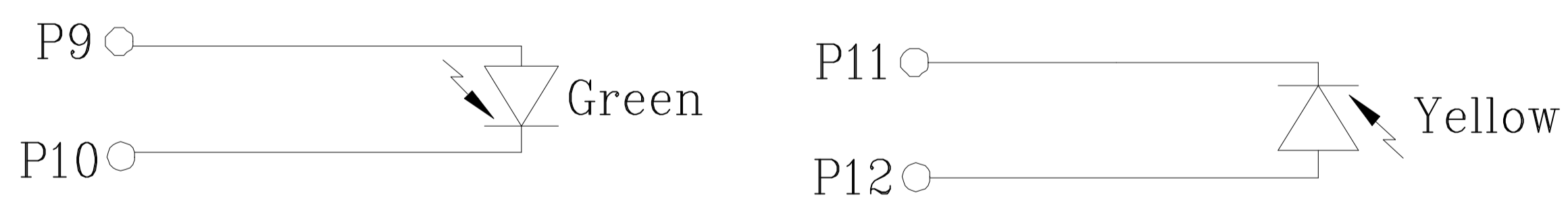
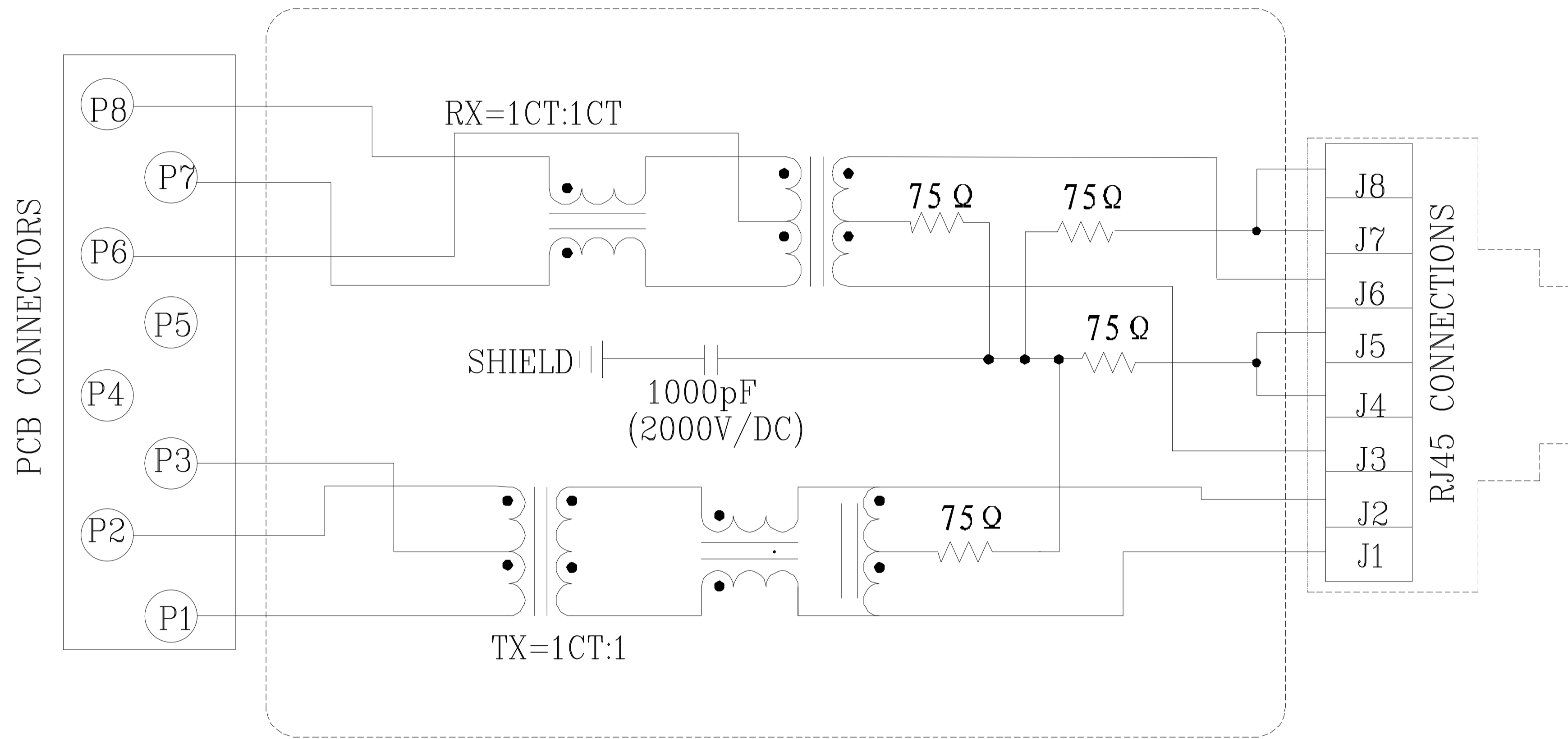
DATE

2012/12/18

RJ45 CONNECTOR, 1*1, 10/100Base, W/LED, 6U

SKLU1T516-43 LF

RoHS



2. Electrical Specifications:@25°C

- 2.1. Isolation Voltage: 1500V/AC(Input to Output)
- 2.2. OCL: 350uH Minimum @100KHz 100mV 8mA DC
- 2.3. Insertion Loss:-1.2dB Maximum @100KHz-100MHz
- 2.4. Return Loss: -18dB Minimum @1MHz-30MHz
 -14dB Minimum @30MHz-60MHz
 -12dB Minimum @60MHz-80MHz

2.5. Common Mode Rejection: -30dB Minimum @1MHz-100MHz

2.6. Cross Talk: -30dB Minimum @1MHz-100MHz

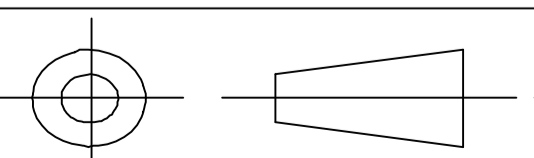
3. Operating and Storage Temperature:

- 3.1. Operating Temperature:-40°C to 85°C
- 3.2. Storage Temperature:-40°C to 85°C

4. Schematic:

Bothhand USA

www.bothhandUSA.com sales@bothhandusa.com



UNIT	SHEET	REV
mm[inch]	2 of 2	01

GENERAL TOLERANCE

X [°] ±3.0°	X±0.50
.X [°] ±2.0°	.X±0.38
.XX [°] ±1.0°	.XX±0.25
.XXX [°] ±0.5°	.XXX±0.15

DRAWING

MU DU

CHECKED

PAUL WANG

APPROVED

PAUL WANG

DATE

2012/12/18

RJ45 CONNECTOR, 1*1, 10/100Base, W/LED, 6U

SKLU1T516-43 LF