

1*1 Port RJ-45 Jack

With 10Base-T Magnetics Module

1. Electrical Specifications:@25°C

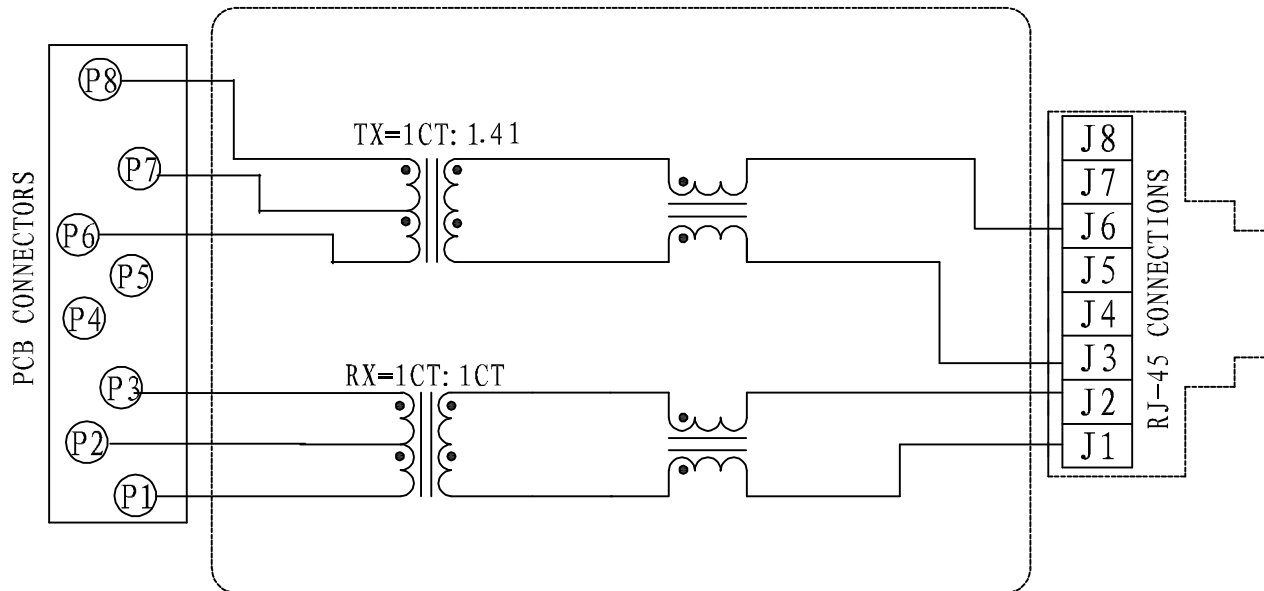
- 1.1. Isolation Voltage: 1500V/AC(Input to Output)
- 1.2. OCL:350uH Minimum @100KHz 100mV 8mA DC
- 1.3. Insertion Loss: -1.2dB Maximum @100KHz-100MHz
- 1.4. Return Loss: -18dB Minimum @1MHz-30MHz
 - 14dB Minimum @30MHz-60MHz
 - 12dB Minimum @60MHz-80MHz
 - 10dB Minimum @80MHz-100MHz
- 1.5. Common Mode Rejection: -30dB Minimum @1MHz-100MHz
- 1.6. Cross Talk: -30dB Minimum @1MHz-100MHz



2. Operating and Storage Temperature:

- 2.1. Operating Temperature:-40°C to +85°C
- 2.2 .Storage Temperature:-40°C to +85°C

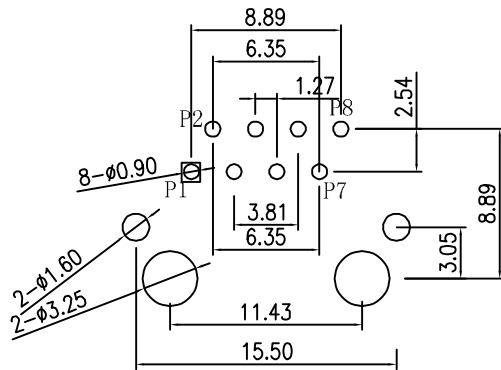
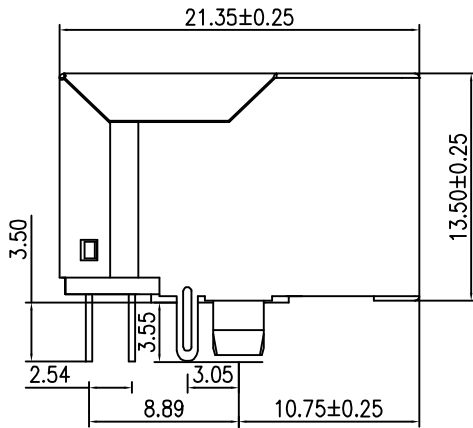
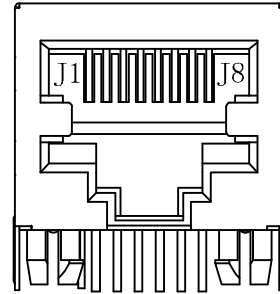
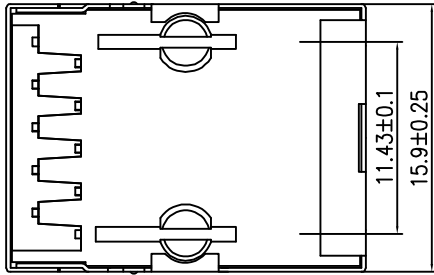
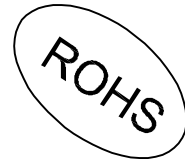
3. Schematics:



P/N: SLT1S010 LF	Units: mm	Unless otherwise stated otherwise tolerances as follows: .XX ±0.25	Rev: A	Draw : Kal	Date:2010/05/08
	Scale: None		Page: 1/2	Checked : Ansom	Date:2010/05/08
http://www.bothhandUSA.com			462 Boston St,Topsfield,MA 01983	Approved: Ansom	Date:2010/05/08

1*1 Port RJ-45 Jack
With 10 Base-T Magnetics Module

4. Mechanicals:



P. C. B RECOMMENDED HOLE LAYOUT SEEN FROM COMPONENT SIDE.
ALL CENTERLINE DIMENSIONS ARE BASIC

4.1. Connector Material:

Housing: Thermoplastic UL94 V-0

Contact/Shield: Cooper alloy

Shield Plating: Nickel

Contact Plating: Selective gold 6u"; 15u"; 30u"; 50u" Min

4.2. Tolerances comply with F.C.C dimension requirements

4.3. Durability: 800 mating Min

4.4. Meets or Exceeds IEEE802.3af standards including 350uH Min OCL @100KHz 100mV 8mA DC

P/N: SLT1S010 LF	Units: mm	Unless otherwise stated otherwise tolerances as follows: .XX ±0.25	Rev: A	Draw : Kal	Date: 2010/05/08
	Scale: None		Page: 2/2	Checked : Ansom	Date: 2010/05/08
http://www.bothhandUSA.com			462 Boston St, Topsfield, MA 01983		Approved: Ansom Date: 2010/05/08