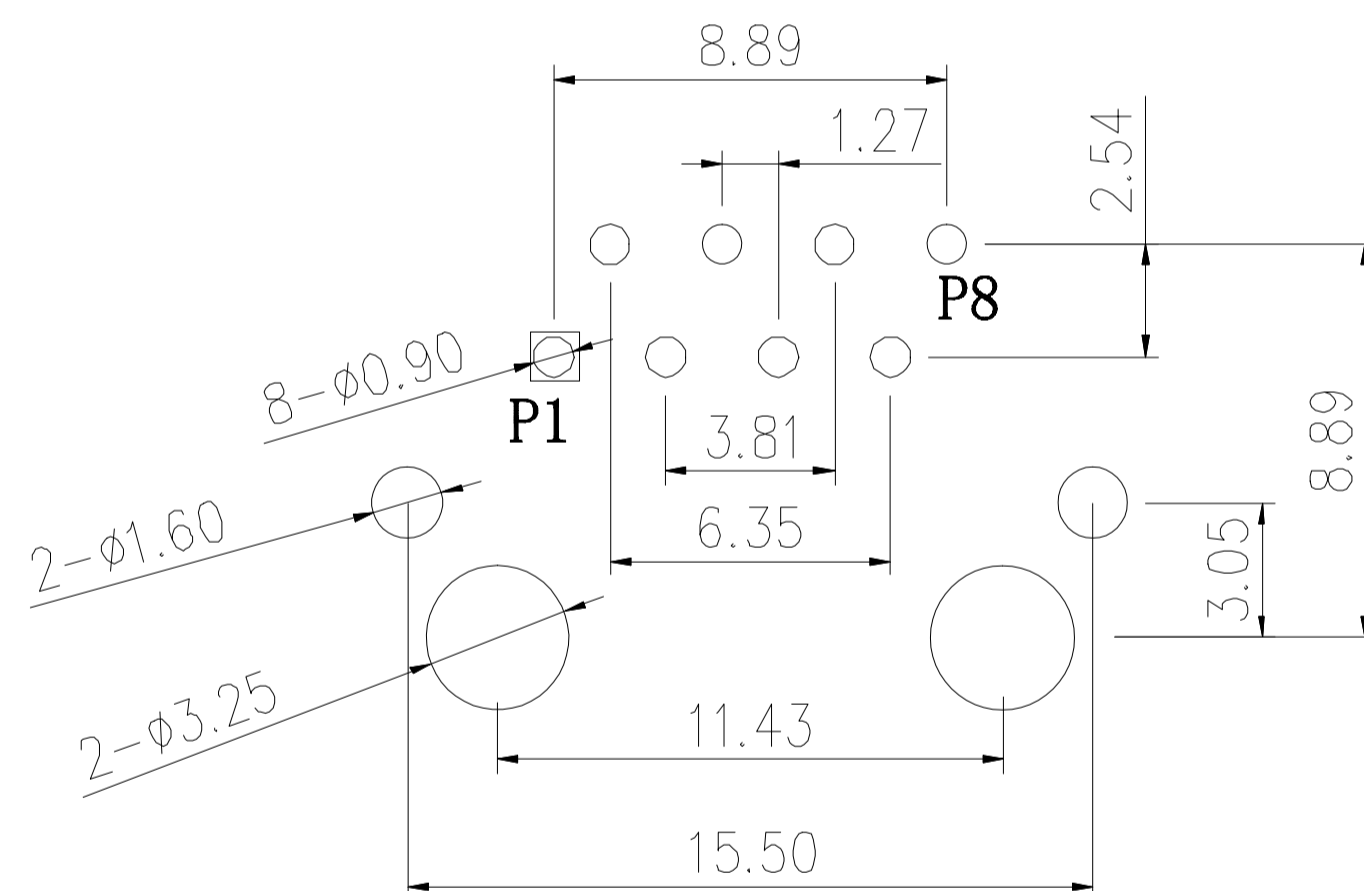
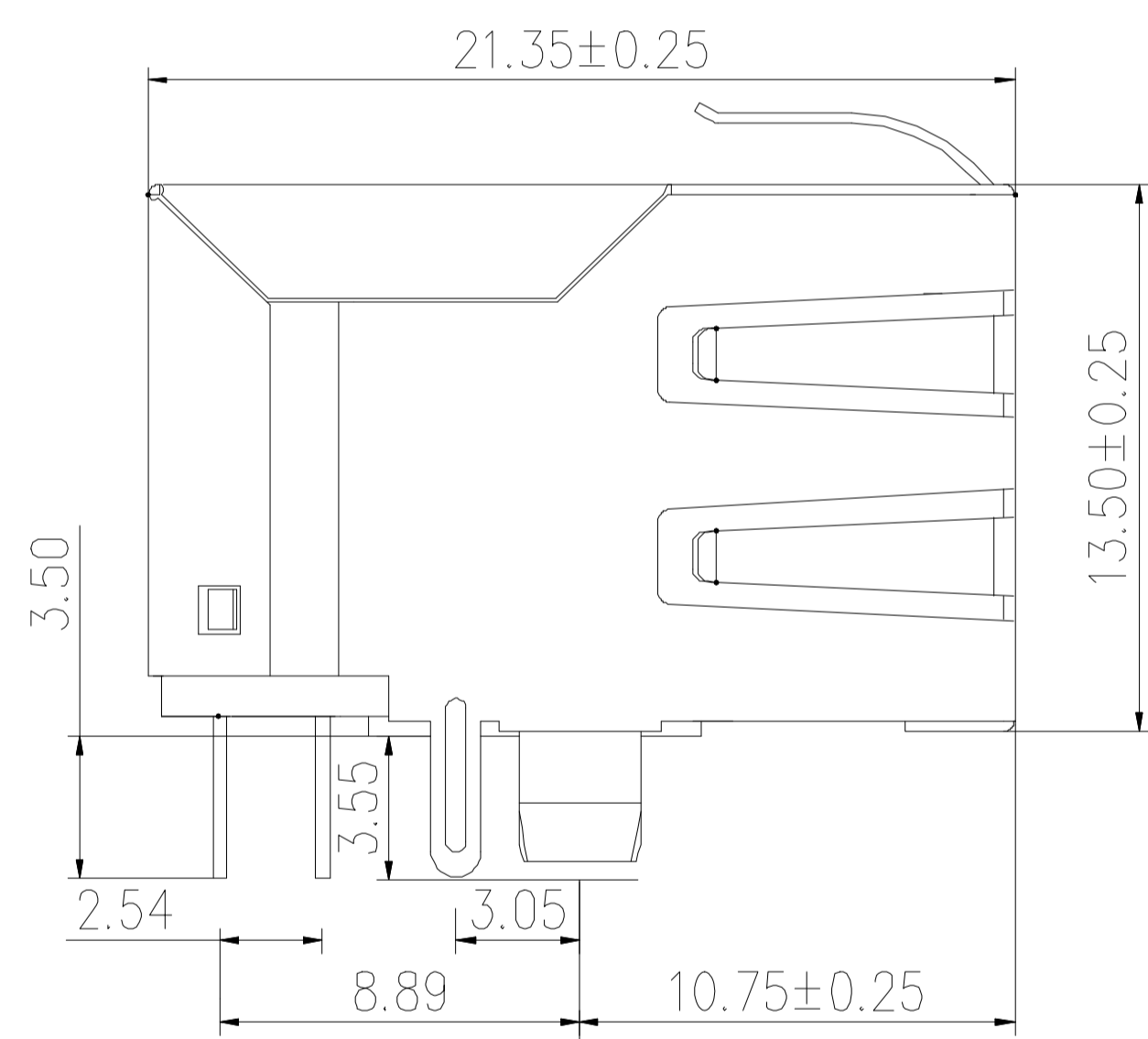


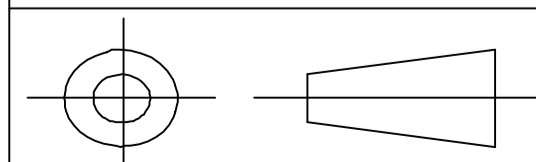
- 1.1. Connector Material:
 - Housing: Thermoplastic UL94 V-0
 - Contact/Shield: Cooper alloy
 - Shield Plating: Nickel
 - Contact Plating: Selective gold 6U" Min
- 1.2. Tolerances comply with F.C.C dimension requirements
- 1.3. Durability: 800 Mating Min



PCB RECOMMENDED HOLE LAYOUT SEEN FROM COMPONENT SIDE

Bothhand USA

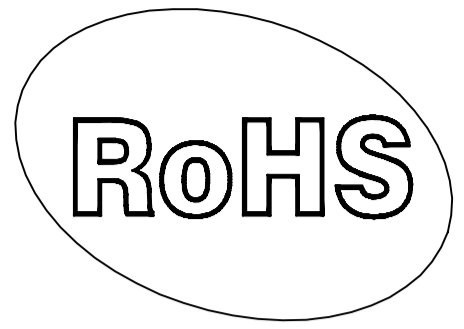
www.bothhandUSA.com sales@bothhandusa.com



UNIT: mm[inch]
SHEET: 1 of 2
REV: 01

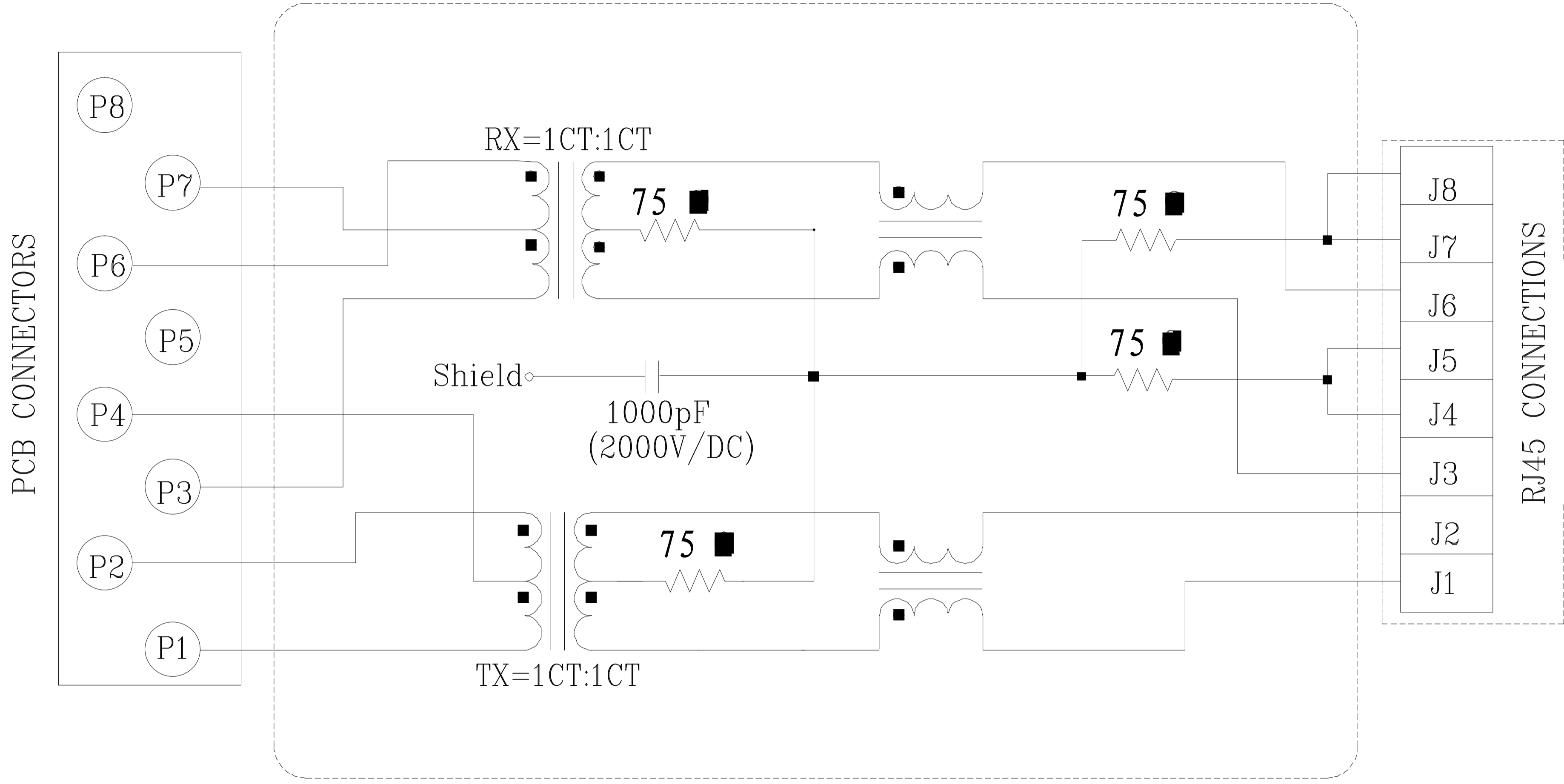
GENERAL TOLERANCE		DRAWING	MU DU
X°±3.0°	X±0.50	CHECKED	PAUL WANG
.X°±2.0°	.X±0.38	APPROVED	PAUL WANG
.XX°±1.0°	.XX±0.25	DATE	2011/10/12
.XXX°±0.5°	.XXX±0.15		

RJ45 CONNECTOR, 1*1, 10/100Base, W/D LED, 6U	
SLU1T041CV LF	



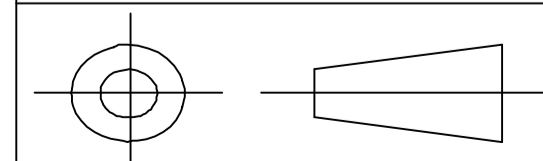
- 2. Electrical Specifications:@25°c
 - 2.1. Isolation Voltage: 1500V/AC(Input to Output)
 - 2.2. OCL: 350uH Minimum @100KHz 100mV 8mA DC
 - 2.3. Insertion Loss:-1.2dB Maxmum @100KHz-100MHz
 - 2.4. Return Loss: -18dB Minimum @1MHz-30MHz
 - 14dB Minimum @30MHz-60MHz
 - 12dB Minimum @60MHz-80MHz

- 2.5. Common Mode Rejection: -30dB Minimum @1MHz-100MHz
- 2.6. Cross Talk: -30dB Minimum @1MHz-100MHz
- 3. Operating and Storage Temperature:
 - 3.1. Operating Temperature:-40°c to 85°c
 - 3.2. Storage Temperature:-40°c to 85°c
- 4. Schematic:



Bothhand USA

www.bothhandUSA.com sales@bothhandusa.com



UNIT	SHEET	REV
mm[inch]	2 of 2	01

GENERAL TOLERANCE

X°±3.0°	X±0.50
.X°±2.0°	.X±0.38
.XX°±1.0°	.XX±0.25
.XXX°±0.5°	.XXX±0.15

DRAWING

MU DU

CHECKED

PAUL WANG

APPROVED

PAUL WANG

DATE

2011/10/12

RJ45 CONNECTOR, 1*1, 10/100Base, W/D LED, 6U

SLU1T041CV LF