

## Features

- Wide 2 : 1 Input Voltage Range
- High Power Density
- High Efficiency
- Operating Temperature Range: -40°C to +85°C  
(with derating)
- Output Short Circuit Protection:  
Hiccup, continuous & Auto Recovery
- Output Over Voltage Protection
- Over Temperature Protection
- Fixed Switching Frequency
- Input/ Output Isolation 1500VDC
- Lead Free Design, RoHS Compliant
- Industry Standard Pinout
- Adjustable Output Voltage



## Applications

- Distributed power system
- Telecommunication application
- Battery powered equipment
- Industrial application
- Process control equipment
- Transportation equipment

### Input Specifications

Input voltage range		9~18V
Remote ON/OFF	Converter: ON	Open or 3.5V < Vr < 12V
	Converter: OFF	Short <sup>(2)</sup> or 0V < Vr < 1.2V
Sourcing current of remote control pin	Nominal Vin	< 0.2mA
Idle input current (at Remote OFF state)	Nominal Vin	< 20mA

### Output Specifications

Output voltage		24V
Output voltage accuracy	Vout=23.76 ~ 24.24V	±1%
Maximum Load		4.2A
Minimum Load		0A
Maximum capacitive load		
Efficiency	Vin=12V and full load	
Ripple / Noise	20MHz bandwidth.	200mVp-p (maximum)
Temperature coefficient		±0.02%/°C (maximum)
Output short circuit protection	Automatic recovery	Hiccup, Continuous
Output over voltage protection		27V (typical)

### General Specifications

Reliability, calculated MTBF		
Operating ambient temperature	With derating	-40°C ~ +85°C

Maximum case surface temperature		105°C
Thermal shutdown		110°C typ.
Storage temperature range		-55°C ~ +125 °C
Relative humidity		95% RH (maximum)
Isolation voltage	Input to output	15000VDC
Isolation capacitance	Input to output	1200pF (typical)
Isolation resistance	Input to output (500VDC)	10 <sup>9</sup> Ω (minimum)
Cooling	Natural convection	
<b>Physical Specifications</b>		
Case material		Aluminum
Potting material		Silicon rubber (UL94V-0)
Dimensions		2.40 × 2.28 × 0.5 Inch (61.0 × 57.9 × 12.7 mm)
Weight		97g (3.42oz) (typical)
Soldering temperature	Lead-free wave soldering	260°C/10Sec (maximum)

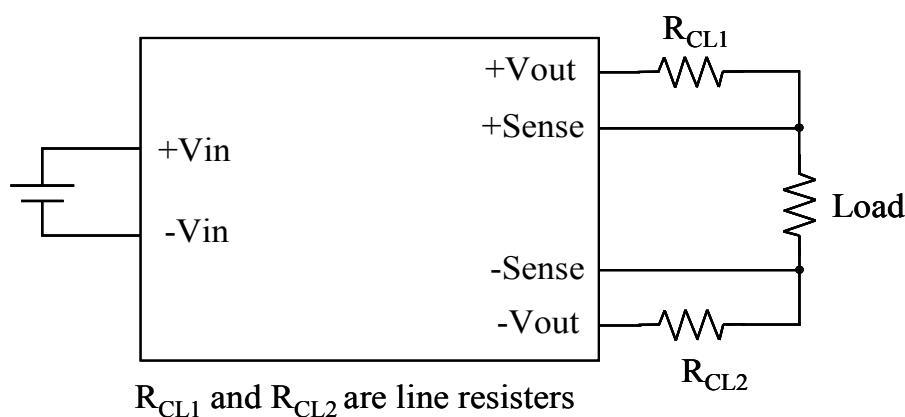
### Note

1. Typical value, tested at nominal input and full load.
2. Short to -Vin (Pin 2).

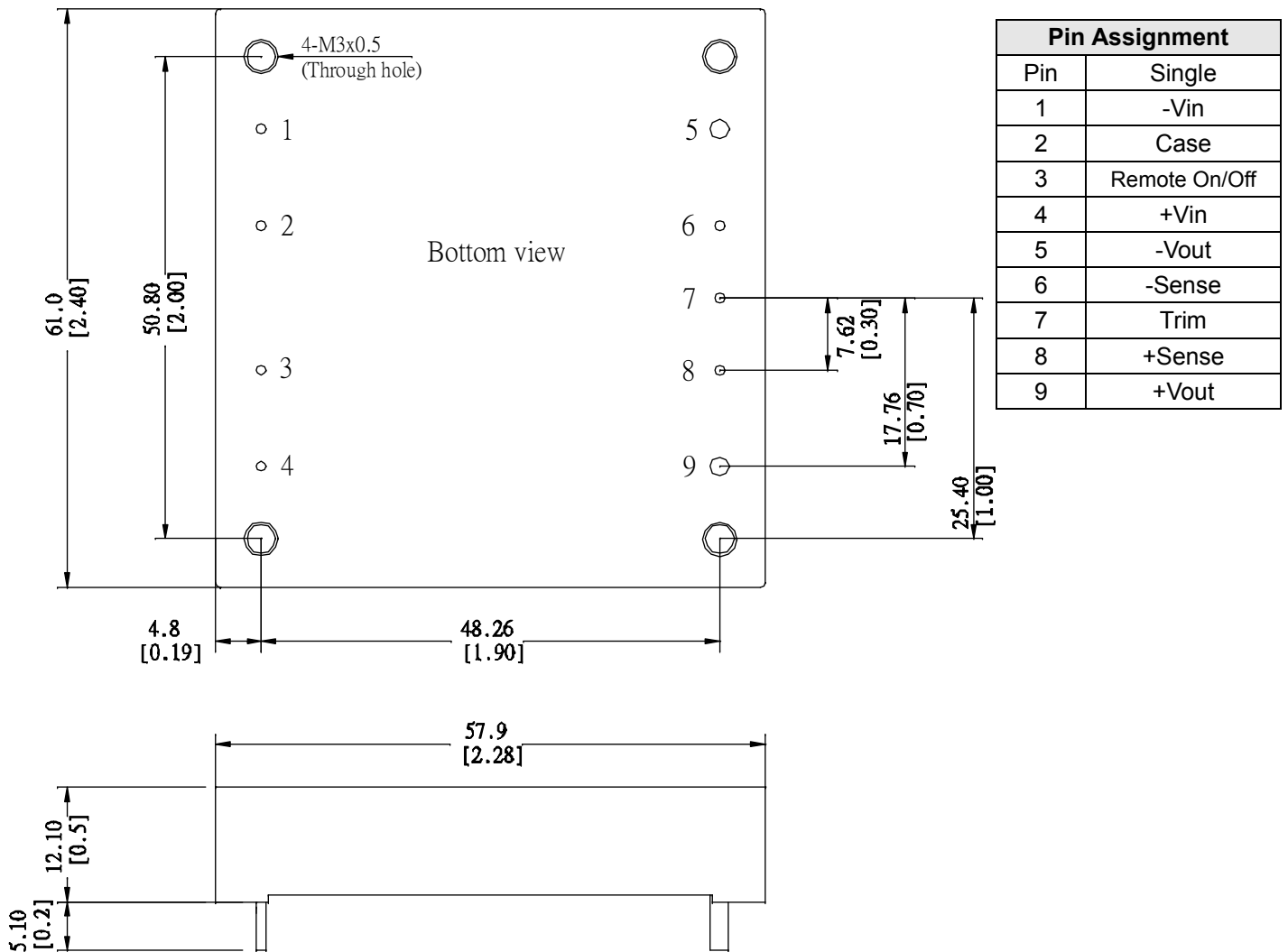
### Remote Sense Application circuit

The Remote Sense function is used to compensate for the voltage drop incurred when the load is located physically far away from the DC/DC converter providing its power. The Remote Sense pins are connected as close to the load as possible. The DC/DC converter's regulation specification is maintained across the points where the Remote Sense wires are connected at the load. This will remove the effect of the voltage drop caused by the resistance of the wires used to conduct the power from the DC/DC converter to the load. This is represented by  $R_{CL1}$  and  $R_{CL2}$ . With the use of Remote Sense, the effects of  $R_{CL1}$  and  $R_{CL2}$  are eliminated.

If the Remote Sense function is not used, the **+Sense** has to be connected to **+Vout** and the **-Sense** has to be connected to **-Vout** as close to the DC/DC converter as possible.



**Mechanical Dimensions**



Pin 5&9 diameter: 2.0 [0.08]  
Other pins diameter: 1.0 [0.04]

Unit: mm [inch]  
Tolerance: ±0.5 [0.02]