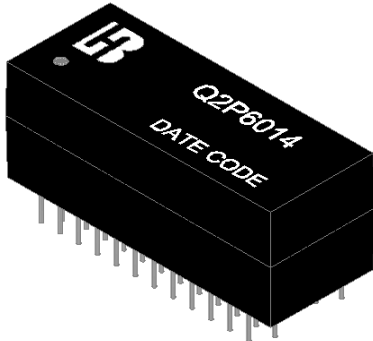


**10/100/1000/2.5G BASE – T  
MAGNETICS MODULES  
P/N: Q2P6014 DATA SHEET**



**Feature**



- Design for 2.5G ethernet application.
- Complying with IEEE 802.3at standard.
- POE applications with 600mA current capability.
- Complying with ROHS requirements.
- Operating temperature range: 0°C to +70°C.
- Storage temperature range: -25°C to +85°C.

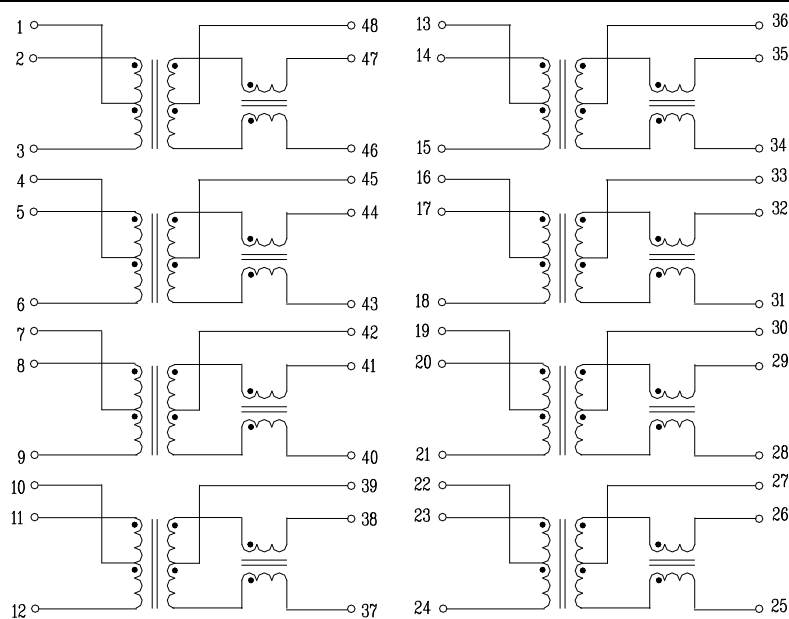
**Electrical Specifications @ 25°C**

Part Number	Turns Ratio (±5%)		OCL (uH Min) @100KHz/0.1V	Cross talk (dB Min)	HI-POT (Vrms)
	TX	RX		1 ≦ f ≦ 200 MHz	
Q2P6014	1CT:1CT	1CT:1CT	180	-(43.1 – 20 log <sub>10</sub> (f/ 100))	1500

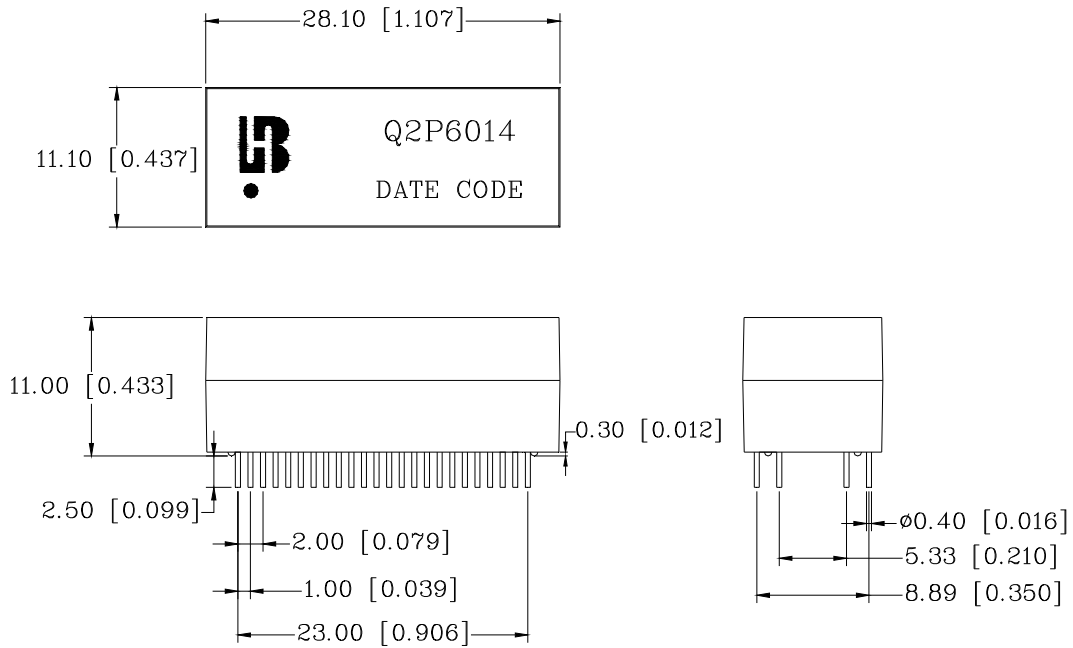
**Continue**

Part Number	Insertion Loss (dB Max)		Return Loss (dB Min)@ Load 100Ω		DCMR (dB Min)	
	1 ≦ f ≦ 100 MHz	100 < f ≦ 200 MHz	1 ≦ f ≦ 40 MHz	40 < f ≦ 200 MHz	1 < f ≦ 30 MHz	30 < f ≦ 200 MHz
Q2P6014	-1.0	-2.0	-16	-(16-10 log <sub>10</sub> (f/40))	-48	-(44-19.2 log <sub>10</sub> (f/50))

**Schematic**

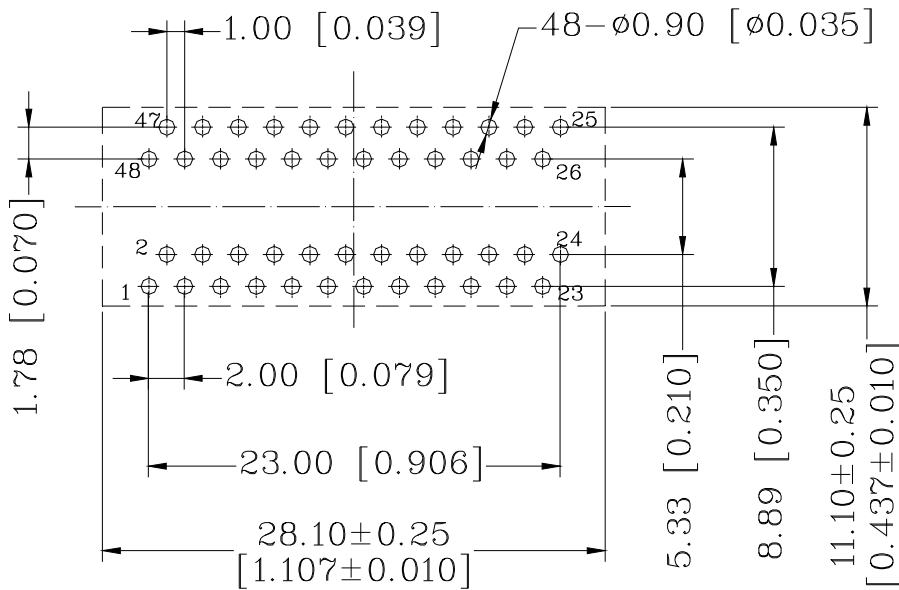


**Mechanical**



Units: mm[Inches] Tolerances XX.X0 :  $\pm 0.25$ [0.010]  
 0.XX :  $\pm 0.05$ [0.002]

**PCB Layout mounting Hole ( Top View)**



Unless otherwise specified,  
 all dimension tolerance are:  $\pm 0.08$ [ $\pm 0.003$ ]