

- Compliant with IEEE 802.3 u and ANSI X3.263 standards including 350uH OCL with 8mA Bias.
- Symmetrical TX and RX channels for Auto MDI/MDIX capability.
- Compliance with ROHS requirements.
- Operating temperature range : 0 to +70 .
- Storage temperature range: -25 to +85 .



**Electrical Specifications @ 25**

Part Number	Turns Ratio (±5%)		OCL(uH Min) @100KHz/0.1V 8mA DC Bias	L.L (uH Max)	C <sub>w/w</sub> (pF Max)	Mech	HI-POT (Vrms)
	TX	RX					
40PT1041AX LF	1CT: 1CT	1CT: 1CT	350	0.4	56	PT-A	1500
40PT1140AX LF	1CT: 1CT	1CT: 1CT	350	-	-	PT-A	1500
40PT1041RX LF	1CT: 1CT	1CT: 1CT	350	0.4	56	PT-A	1500

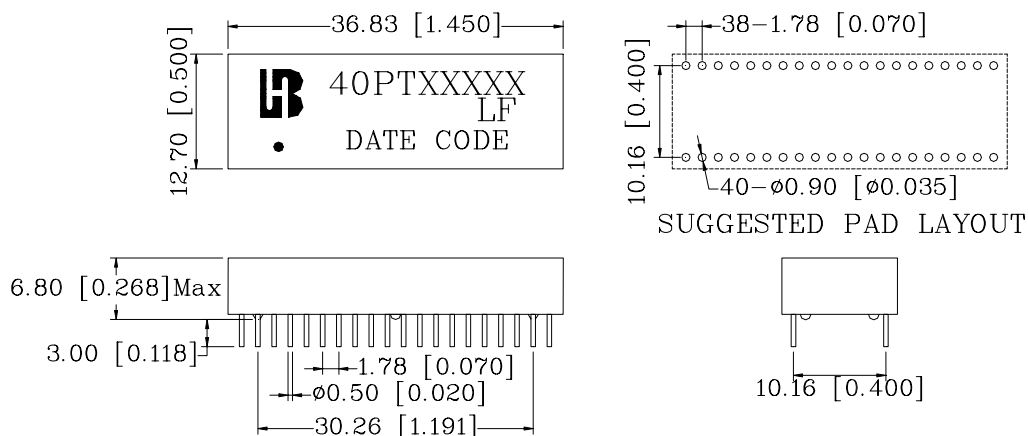
**Continue**

Part Number	Insertion Loss (dB Max)	Return Loss (dB Min)						Cross Talk (dB Min)	DCMR (dB Min)
		0.3-100MHz	2-3MHz	0.3-30MHz	30-60MHz	40MHz	50MHz		
40PT1041AX LF	-1.15	-	-16	-12	-	-	-10	-35	-30
40PT1140AX LF	-1.0	-18	-	-	-14.4	-13.1	-12	-35	-30
40PT1041RX LF	-1.0	-	-16	-12	-	-	-10	-35	-30

For customized parts or more detailed information, please log on [www.bothhandusa.com](http://www.bothhandusa.com) or write to [sales@bothhandusa.com](mailto:sales@bothhandusa.com)

**Mechanical**

**PT-A**

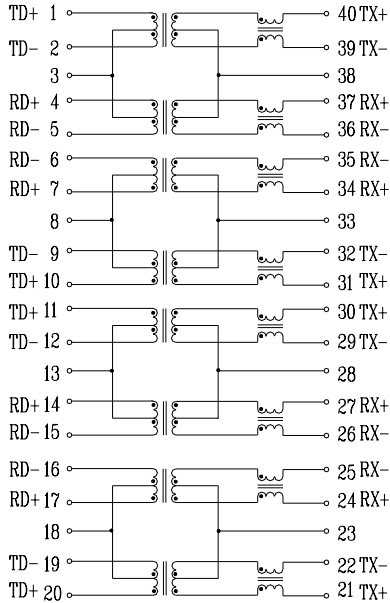


Units: mm[Inches] Tolerance: xx.x0±0.25[0.010]  
0.xx±0.05[0.002]

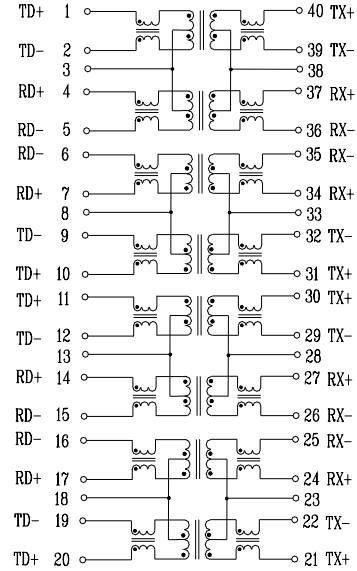
Specification	Packing Manner	Q'ty per Tube/Reel	Q'ty/ Inner box	Q'ty/ Carton
PT-A	TUBE	13	572	2288

**Schematics**

**40PT1041AX LF**



**40PT1140AX LF**



**40PT1041RX LF**

