

- Magnetic designs to support every PHY.
- Complies with IEEE 802.3 standards including 350 uH min OCL with 8mA bias.
- Compliance with ROHS requirements.
- Operating temperature range: 0 to +70 .
- Storage temperature range: -25 to +85 .



Electrical Specifications @ 25

Part Number	Turns Ratio (±5%)		OCL(uH Min) @100KHz/0.1V 8mA DC Bias	Insertion Loss (dB Max) 1-100MHz	HI-POT (Vrms)
	TX	RX			
H4P041ANX LF	1CT:1CT	1CT:1CT	350	-1.2	1500
H4P041BNX LF	1CT:1CT	1CT:1CT	350	-1.2	1500
H4P041NX LF	1CT:1CT	1CT:1CT	350	-1.2	1500
H4P140NX LF	1CT:1CT	1CT:1CT	350	-1.2	1500

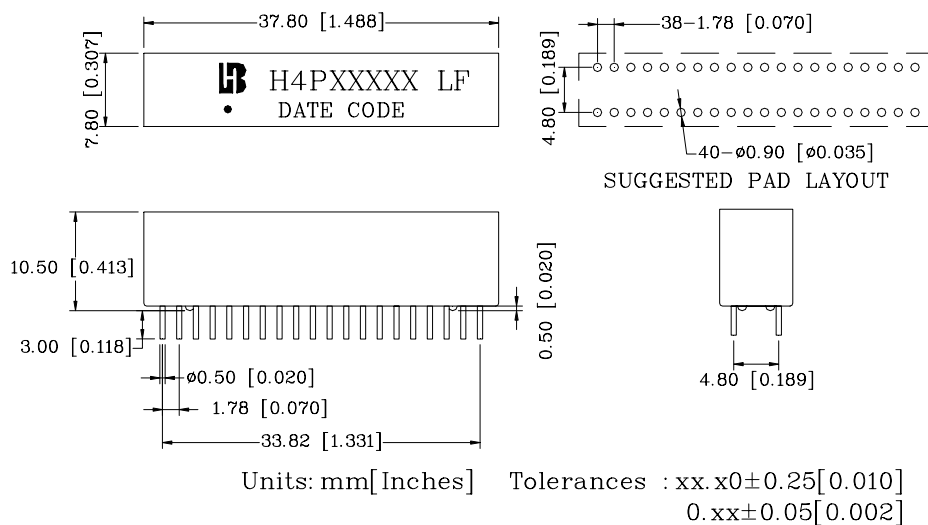
Continue

Part Number	Return Loss (dB Min)TX/RX			Cross talk (dB Min)TX/RX			CMR (dB Min)TX/RX		
	30MHz	50MHz	80MHz	0.3-30MHz	30-60MHz	60-100MHz	1-30MHz	30-60MHz	60-125MHz
H4P041ANX LF	-15	-13	-11	-40	-35	-30	-30	-25	-20
H4P041BNX LF	-15	-13	-11	-40	-35	-30	-30	-25	-20
H4P041NX LF	-15	-13	-11	-40	-35	-30	-30	-25	-20
H4P140NX LF	-15	-13	-11	-40	-35	-30	-30	-25	-20

For customized parts or more detailed information, please log on www.bothhandusa.com or write to sales@bothhandusa.com

Mechanical

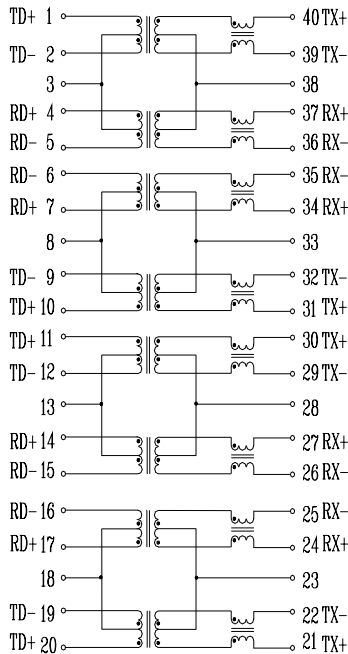
H4PXXXX LF



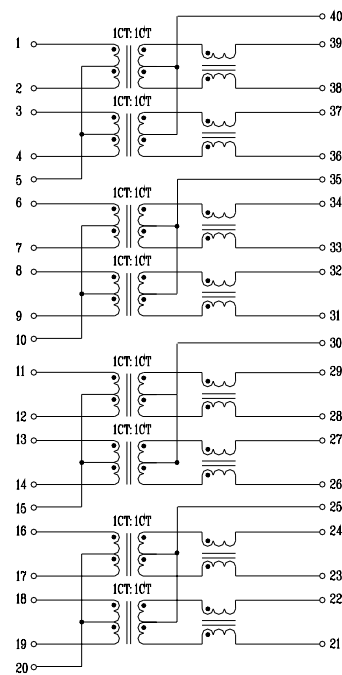
Specification	Packing Manner	Q'ty per Tube/Reel	Q'ty/ Inner box	Q'ty/ Carton
H4PXXXX	TUBE	13	572	2288

Schematics

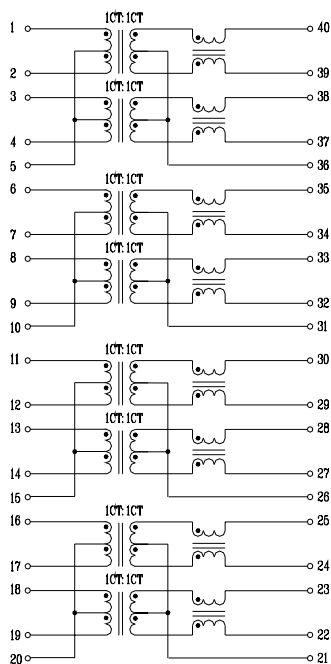
H4P041ANX LF



H4P041BNX LF



H4P041NX LF



H4P140NX LF

