

- IEEE 802.3 Ethernet compatible .
- 100 Base-TX Surface mountable .
- Design for multi-port repeater and Ethernet switching HUB application .
- Customer designs available for specific application.
- Comply with RoHS & Halogen Free requirements.
- Operating temperature range : 0 to +70 .
- Storage temperature range: -25 to +85 .



Electrical Specifications @ 25

Part Number	Turns Ratio (±5%)		Insertion Loss (dB Max) 0.3-100MHz	OCL(uH Min) @100KHz/0.1V with 8.0mA DC	Insulation Resistance (M)	HI-POT (Vrms)
	TX	RX				
40SS1041AX HF	1CT:1CT	1CT:1CT	-1.15	350	10000	1500
40SS1041A HF	1CT:1CT	1:1	-1.15	350	10000	1500
40SS1041RX HF	1CT:1CT	1CT:1CT	-1.15	350	-	1500
40SS1140AX ¹ HF	1CT:1CT	1CT:1CT	-1.0	350	-	1500
40SS1040AXM ² HF	1CT:1CT	1CT:1CT	-1.15	350	-	1500
40SS1064A HF	1CT:1CT	1CT:1CT	-1.15	400	-	1500

Continue

Part Number	Return Loss (dB Min)			Cross Talk (dB Min)		DCMR (dB Min)		
	0.3-30MHz	30-60MHz	60-80MHz	0.3-60MHz	60-100MHz	60MHz	100MHz	200MHz
40SS1041AX HF	-16	-12	-10	-45	-35	-37	-28	-25
40SS1041A HF	-16	-12	-10	-45	-35	-37	-28	-25
40SS1041RX HF	-16	-12	-10	-40	-35	-37	-28	-25
40SS1140AX ¹ HF	-	-	-	-40	-35	-40	-33	-25
40SS1040AXM ² HF	-16	-12	-10	-40	-35	-37	-28	-25
40SS1064A LF	-16	-12	-10	-40	-28	-37	-28	-25

NOTE:

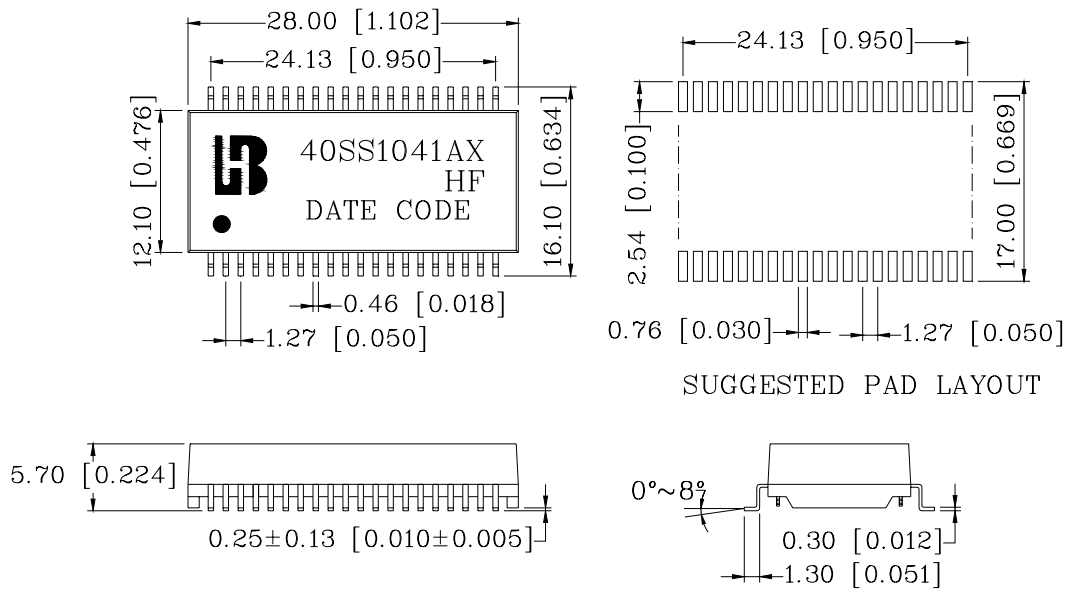
1. Return Loss(dB Min)

2-3MHz	40MHz	50MHz	60-80MHz
-18	-14.4	-13.1	-12

2. Operating temperature range : -40 to +85 .
Storage temperature range: -40 to +125 .

Mechanical

40SSXXXX HF

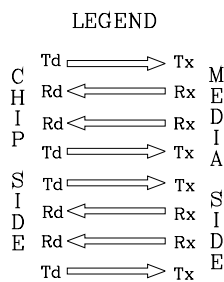
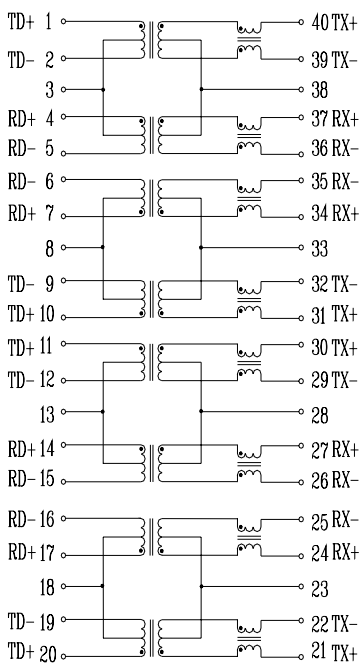


Units: mm[Inches] Tolerances: xx.x0±0.25[0.010]
0.xx±0.05[0.002]

Specification	Packing Manner	Q'ty per Tube/Reel	Q'ty/ Inner box	Q'ty/ Carton
40SSXXXX HF	REEL	400	400	2000

Schematics

40SS1041AX HF



40SS1041A HF

