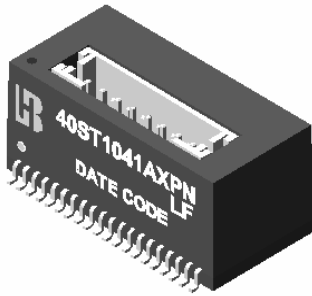


100 BASE –TX QUAD PORT TRANSFORMER FOR ASSIST POE POWER LINE

P/N: 40ST1041AXPN LF DATA SHEET

Feature



- IEEE 802.3 Ethernet compatible.
- 100 Base-TX Surface mountable.
- Design for multi-port repeater and Ethernet switching HUB application.
- Customer designs available for specific application.
- Comply with RoHS requirements-whole part No Cd, No Hg, No Cr6+, No PBB and PBDE and No Pb on external pins.
- Operating temperature range :0 to +70 .
- Storage temperature range: -25 to +125 .

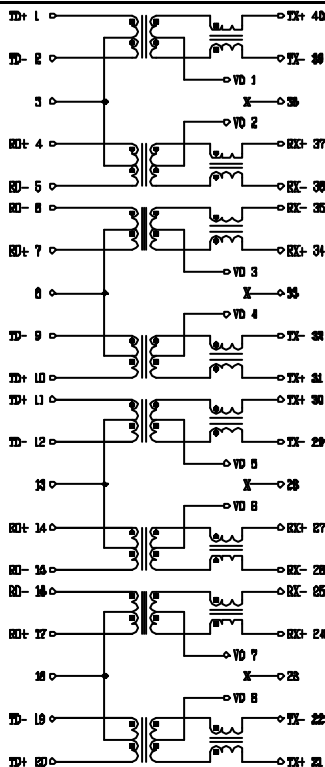
Electrical Specifications @ 25°C

Part Number	Turns Ratio (±5%)		OCL(uH Min) @100KHz/0.1V with 8mA DC Bias	L.L (uH Max)	C _{ww} (pF Max)	HI-POT (Vrms)
	TX	RX				
40ST1041AXPN LF	1CT:1CT	1CT:1CT	350	0.4	28	1500

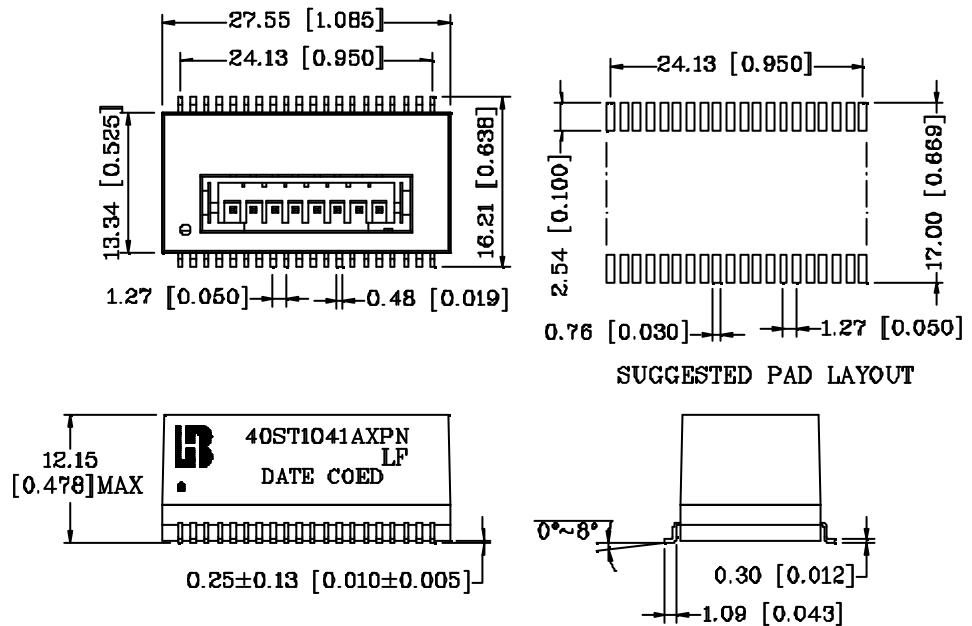
Continue

Part Number	Insertion Loss (dB Max)	Return Loss (dB Min)			Cross talk (dB Min)		DCMR (dB Min)		
		0.3-100MHz	0.3-30MHz	30-60MHz	60-80MHz	0.3-60MHz	60-100MHz	60MHz	100MHz
40ST1041AXPN LF	-1.15	-16	-12	-10	-40	-35	-37	-28	-25

Schematic



Mechanical

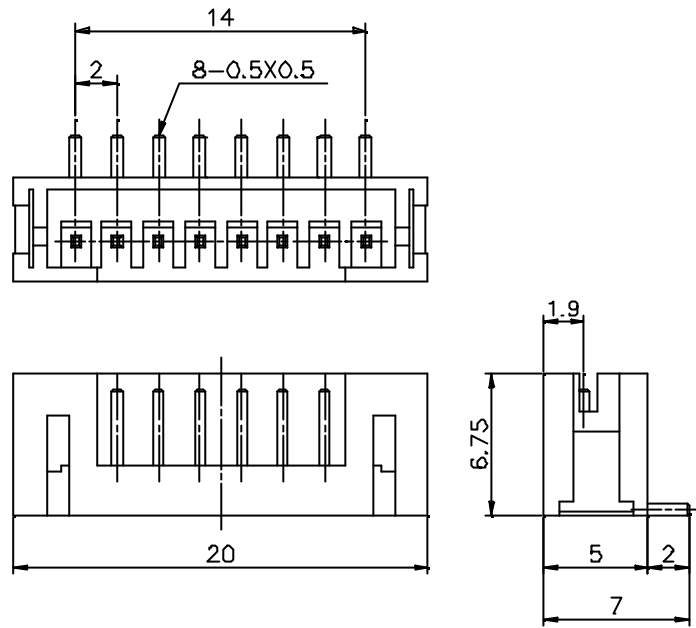


Units: mm [Inches] Tolerances: xx.x0±0.25 [0.010]
0.xx±0.05 [0.002]

100 BASE-TX QUAD PORT TRANSFORMER FOR ASSIST POE POWER LINE

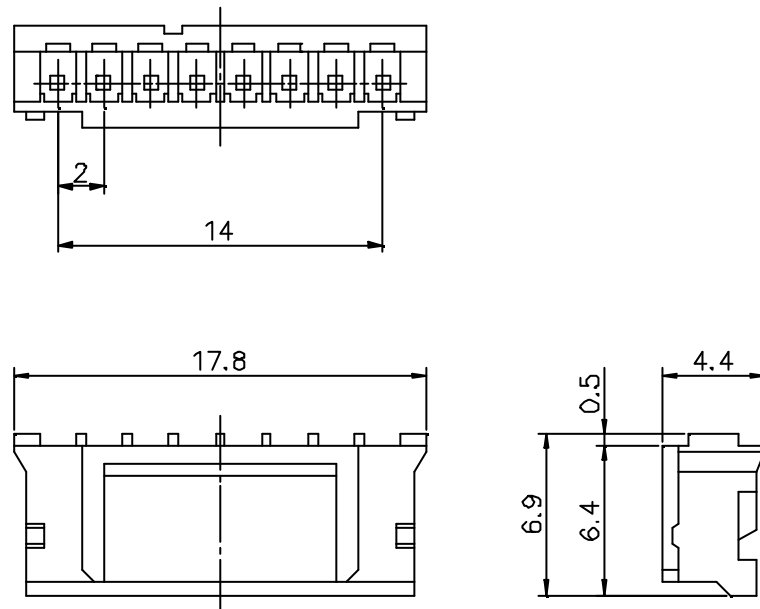
P/N: 40ST1041AXPN LF DATA SHEET

Connector 1



Units: mm[Inches] Tolerances: xx.x0±0.25[0.010]
0.xx±0.05[0.002]

Connector 2



Units: mm[Inches] Tolerances: xx.x0±0.25[0.010]
0.xx±0.05[0.002]