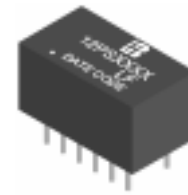


- Compliance with ROHS requirements.
- Operating temperature range: 0 to +70 .
- Storage temperature range: -25 to +85 .



### Electrical Specifications @25

Part Number	Insertion Loss (dB Max)	Return Loss (dB Min)				Cross talk (dB Min)		DCMR (dB Min)		
		0.3-100 MHz	0.3-30 MHz	40 MHz	50 MHz	60-80 MHz	0.3-60MHz	60-100MHz	30MHz	60MHz
12PS6121A LF	-1.1	-18	-15.5	-13	-12	-45	-35	-40	-35	-30
12PS6121C LF	-1.2	1-30MHz / -15		-13	-11	-40	-35	1-100MHz / -35		
12PS6121CX LF	-1.2	1-30MHz / -15		-13	-11	-40	-35	1-100MHz / -35		
12PS6121UX LF	-1.2	1-30MHz / -15		-13	-11	0.3-100MHz / -35		1-100MHz / -35		
12PS1142X LF	-1.1	-18	-15.5	-13	-12	-45	-35	-40	-35	-30

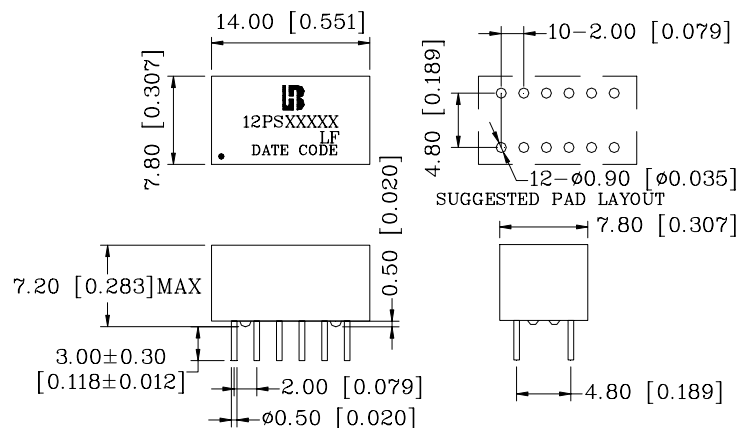
### Continue

Part Number	Turn Ratio (±5%)		OCL(uH Min) @100KHz/0.1V with 8.0mA DC	C <sub>WW</sub> (pF Max)	L.L (uH Max)	DCR (Max) TX/RX		HI-POT (Vrms)
	Transmit	Receive						
12PS6121A LF	1CT:1CT	1CT:1CT	350	28	0.5	1.1	0.9	1500
12PS6121C LF	1CT:1CT	1CT:1CT	350	-	-	-	-	1500
12PS6121CX LF	1CT:1CT	1CT:1CT	350	-	-	-	-	1500
12PS6121UX LF	1CT:1CT	1CT:1CT	350	-	-	-	-	1500
12PS1142X LF	1CT:1CT	1CT:1CT	350	56	0.5	1.1	-	1500

For customized parts or more detailed information, please log on [www.bothhandusa.com](http://www.bothhandusa.com) or write to [sales@bothhandusa.com](mailto:sales@bothhandusa.com)

### Mechanicals

#### 12PSXXX LF



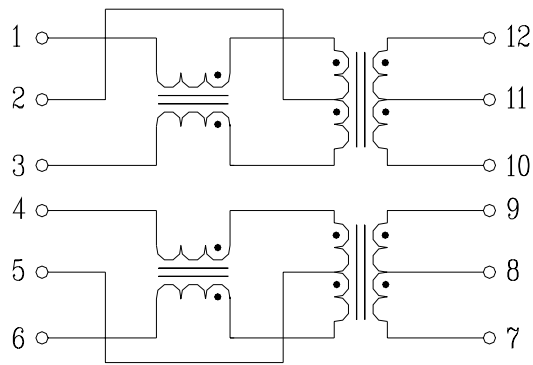
Units: mm [Inches] Tolerances : xx.x0 ± 0.25 [0.010]  
 0.xx ± 0.05 [0.002]

# SINGLE 10/100 BASE-TX LAN MAGNETIC (DIP)

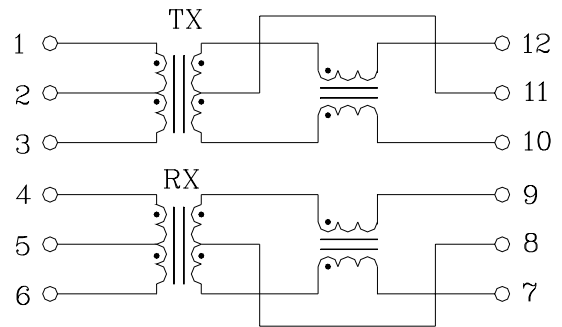
Specification	Packing Manner	Q'ty per Tube/Reel	Q'ty/ Inner box	Q'ty/ Carton
12PSXXX LF	TUBE	36	3240	12960

## Schematics

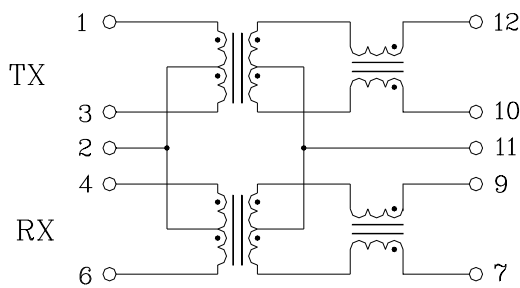
**12PS6121A LF**



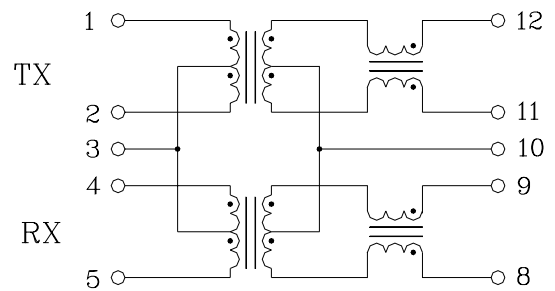
**12PS6121C LF**



**12PS6121CX LF**



**12PS6121UX LF**



**12PS1142X LF**

