

**10/100 BASE-T TRANSFORMER (SMD) SMALL SIZE**

- Cable interface for isolation and low common mode emissions.
- 16-PIN SMD package for economic cost.
- Comply with ROHS & Halogen Free requirements.
- Operating temperature range: 0 to +70 .
- Storage temperature range: -25 to +85 .


**Electrical Specifications @ 25**

Part Number	Return Loss (dB Min)					Cross talk (dB Min)		DCMR (dB Min)		
	30MHz	40MHz	50MHz	60MHz	80MHz	0.3-60MHz	60-100MHz	30MHz	60MHz	100 MHz
16ST8515 HF	-16	-14	-13.5	-13	--	-12	-45	-35	-42/-40	-35/-30
16ST1086 HF	0.3-40MHz		40-50MHz		50-80MHz	-45	-35	-40	-30	-25
	-20		-18		-14					
16ST8515-4 HF	-16	-14	-13.5	-13	-12	-45	-35	-40	-30	-25
16ST8510 HF	-16	-14	-13.5	-13	-12	-45	-35	-40	-30	-25

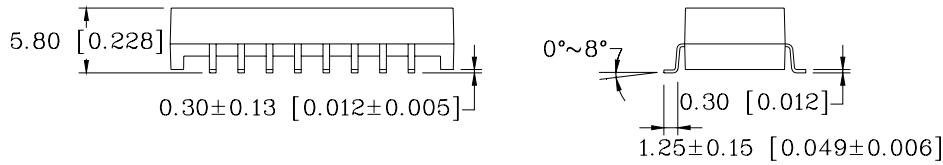
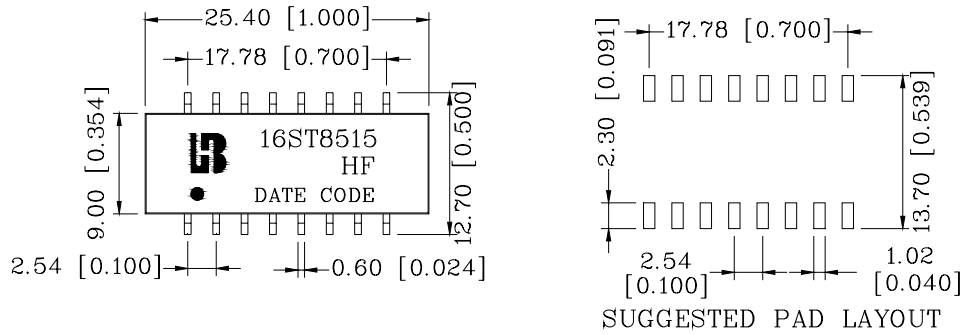
**Continue**

Part Number	Turns Ratio (±5%)		Insertion Loss (dB Max)	OCL (uH Min) @100KHz/0.1V with 8mA DC Bias	C <sub>w/w</sub> (pF Max)	L.L (uH Max)	DCR (Ω Max)	HI-POT (Vrms)
	TX	RX	0.3~100MHz					
16ST8515 HF	1CT:1CT	1CT:1CT	-1.15	350	28	0.6	--	1500
16ST1086 HF	1CT:1	1CT:1CT	--	350	--	--	0.9	1500
16ST8515-4 HF	1CT:1CT	1CT:1CT	-1.15	350	28	0.6	--	1500
16ST8510 HF	1CT:1CT	1CT:1CT	-1.15	350	--	--	--	1500

For customized parts or more detailed information, please log on [www.bothhandusa.com](http://www.bothhandusa.com) or write to [sales@bothhandusa.com](mailto:sales@bothhandusa.com)

**Mechanicals**

**16STXXXX HF**

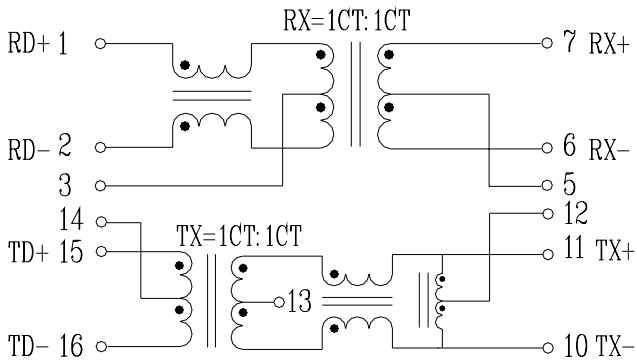


Units: mm[Inches] Tolerances: xx.x0±0.25[0.010]  
0.xx±0.05[0.002]

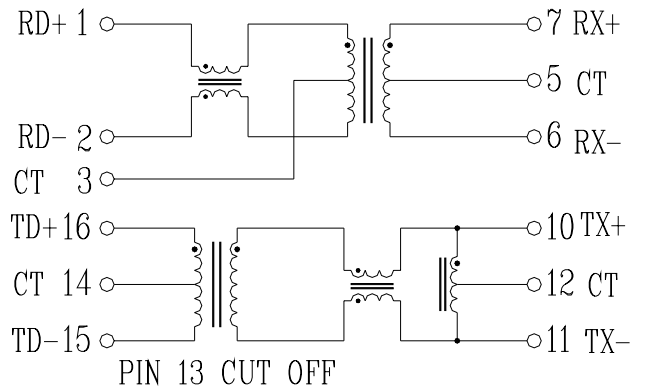
Specification	Packing Manner	Q'ty per Tube/Reel	Q'ty/ Inner box	Q'ty/ Carton
16STXXXX HF	REEL	500	500	2500

**Schematics**

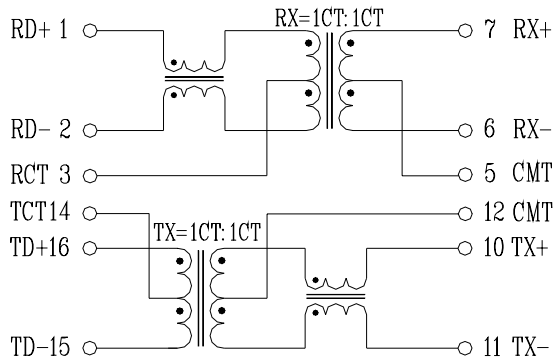
**16ST8515 HF**



**16ST1086 HF**



**16ST8515-4 HF**



**16ST8510 HF**

