

- 24 Pin SMD surface mount package.
- Operating temperature range: 0 to +70 .
- Storage temperature range: -25 to +85 .



Electrical Specifications @ 25

Part Number	Return Loss (dB Min)					Cross talk (dB Min)			DCMR (dB Min)		
	0.3-30MHz	40MHz	50MHz	60 MHz	80MHz	0.3-30MHz	60MHz	80-100MHz	0.3-60MHz	60-100MHz	
TN8515 LF	-18	-15.5	-13.0	-12		-50	-45	40	-45	-35	
TN8515A LF	-18	-15.5	-13.0	-12		-50	-45	40	-45	-35	
TN8515B LF	-18	-15.5	-13.0	-12		-50	-45	40	-45	-35	
TN8515C LF	-18	-15.5	-13.0	-12		-50	-45	40	-45	-35	
TN1142B LF	-18	-15.5	-13.0	-12		0.3-60MHz	60-100MHz		30MHz	60MHz	100MHz
						-45	-35		-40	-30	-25
TN1284 LF	-16	-14	-13.5	-13	-12	-45		-35	-40	-30	-25
TL1142B-A LF	-18	-15.5	-13	-12		-45		-35	-40	-35	-30
TL8515A LF	-18	-15.5	-13.0	-12		-50	-45	-40	-45	-35	
TL8515C LF	-18	-15.5	-13.0	-12		-50	-45	-40	-45	-35	

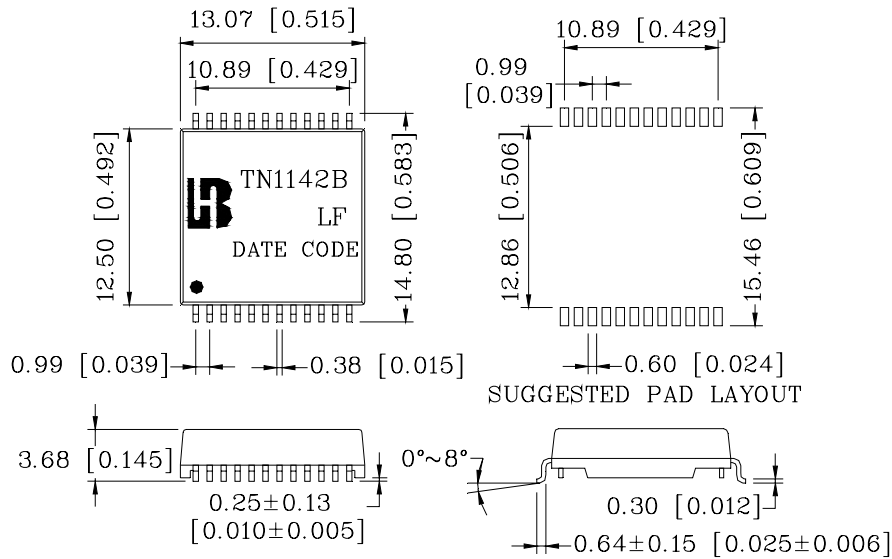
Continue

Part Number	Insertion Loss (dB Max)	Turn Ratio(±5%)		OCL (uH Min) @ 100KHz/0.1V with 8mA DC Bias	C _{w/w} (pF Max)	L.L (uH Max)	DCR (Ω Max)	HI-POT (Vrms)
	0.3-100 MHz	TX	RX					
TN8515 LF	-1.15	1CT:1	1CT:1CT	350	28	0.5	1.7	1500
TN8515A LF	-1.15	1CT:1	1CT:1CT	350	28	0.5	1.7	1500
TN8515B LF	-1.15	1CT:1	1CT:1CT	350	28	0.5	1.7	1500
TN8515C LF	-1.15	1CT:1	1CT:1CT	350	28	0.5	1.7	1500
TN1142B LF	-1.1	1CT: 1CT	1CT: 1CT	350	28	0.5	1.5	1500
TN1284 LF	-1.15	1CT: 1CT	1CT: 1CT	350	-	-	2.0	1500
TL1142B-A LF	-1.1	1CT: 1CT	1CT: 1CT	350	28	0.5	1.1	1500
TL8515A LF	-1.15	1CT:1CT	1CT:1CT	350	28	0.5	1.7	1500
TL8515C LF	-1.15	1CT:1	1CT:1CT	350	28	0.5	1.7	1500

For customized parts or more detailed information, please log on www.bothhandusa.com or write to sales@bothhandusa.com

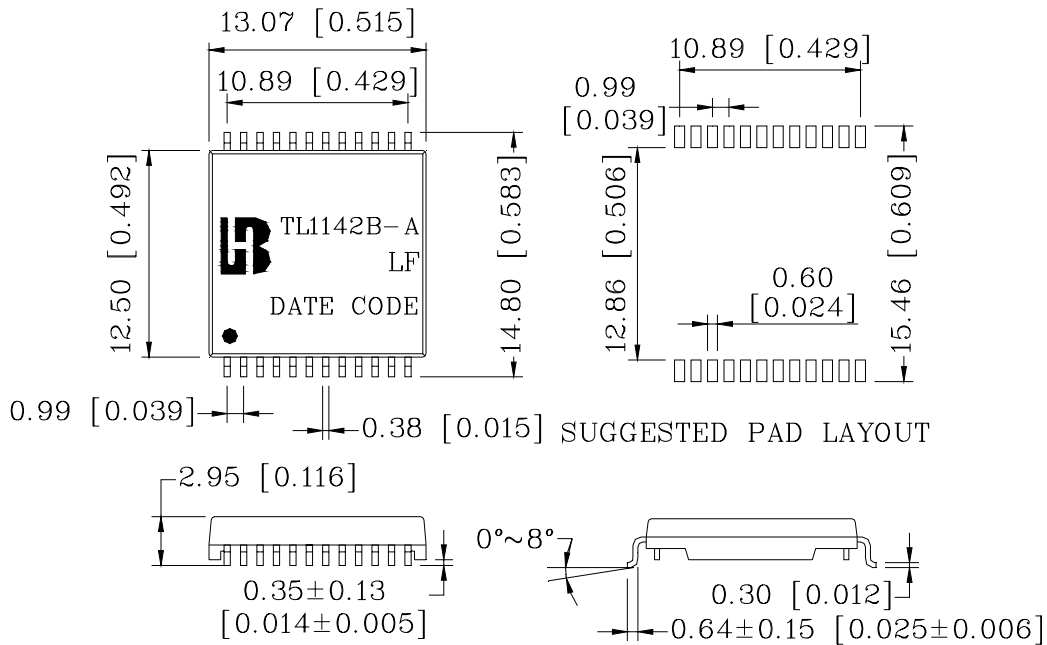
Mechanicals

TNXXXX LF



Units: mm[Inches] Tolerances: xx.x0±0.25[0.010]
0.xx±0.05[0.002]

TLXXXX LF

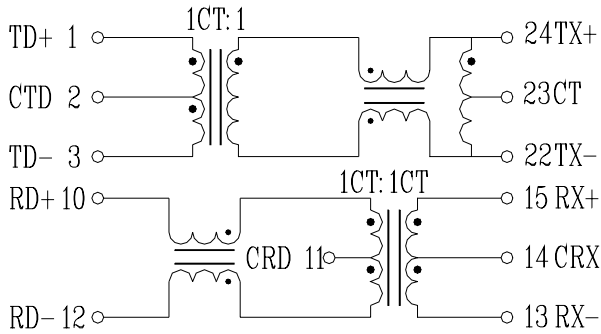


Units: mm[Inches] Tolerances: xx.x0±0.25[0.010]
0.xx±0.05[0.002]

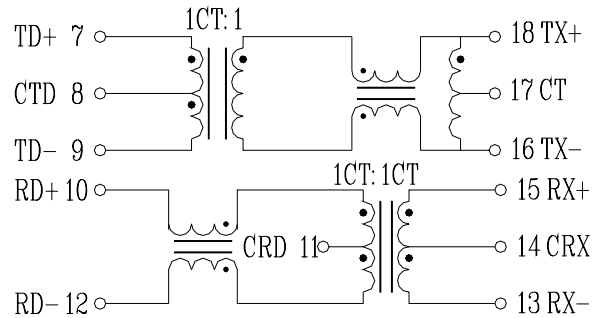
Specification	Packing Manner	Q'ty per Tube/Reel	Q'ty/ Inner box	Q'ty/ Carton
TNXXXX LF	REEL	700	700	3500
TLXXXX LF	REEL	850	850	4250

Schematics

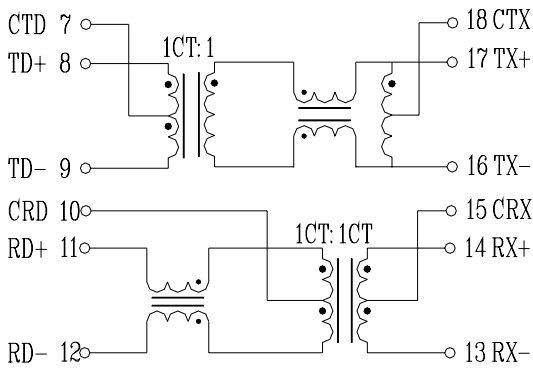
TN8515 LF



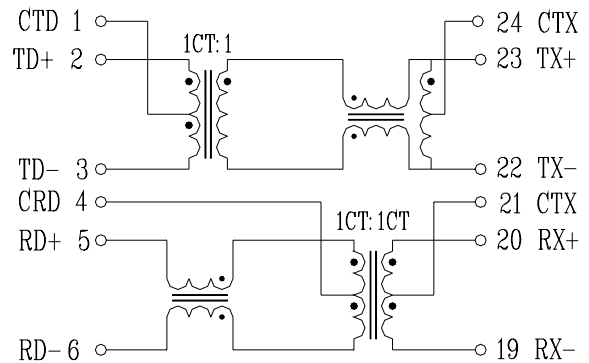
TN8515A LF



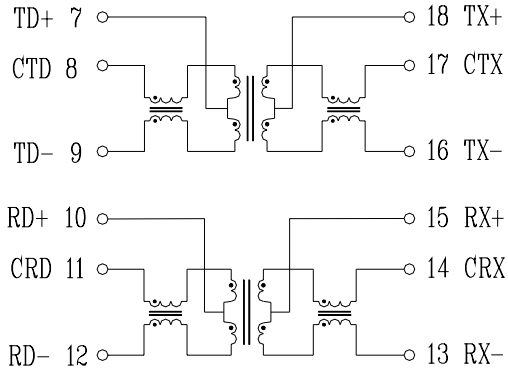
TN8515B LF



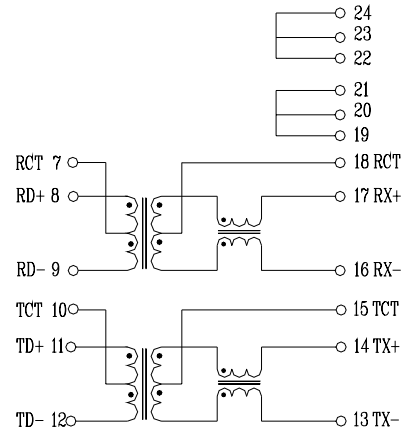
TN8515C LF/ TL8515C LF



TN1142B LF/ TL1142B-A LF



TN1284 LF



TL8515A LF

