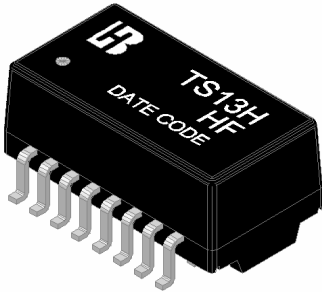


**10/100 BASE-T ETHERNET
ISOLATION TRANSFORMER
P/N: TS13H HF DATA SHEET**



Feature

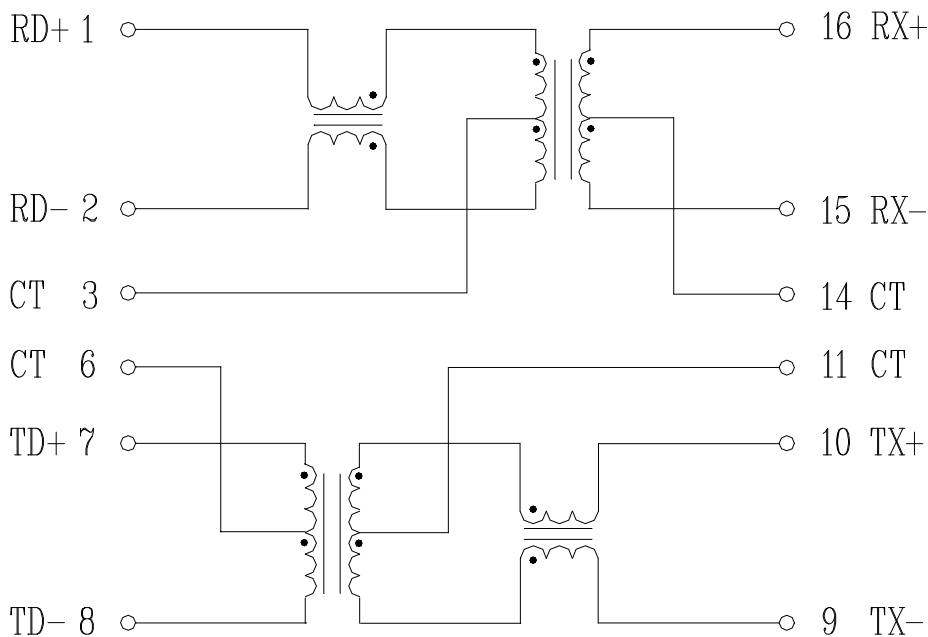


- Designed to meet IEEE 802.3u requirement, including 350uH OCL with 8mA bias.
- Complying with ROHS & Halogen Free requirements.
- Operating temperature range: 0°C to +70°C.
- Storage temperature range: -25°C to +85°C.

Electrical Specifications @ 25°C								
Part Number	Turns Ratio (±5%)		OCL (uH Min) @ 100KHz/0.1V with 8mA DC Bias	C _{w/w} (pF Max)	L.L. (uH Max)	DCR (Ω Max)		HI-POT (Vrms)
	TX	RX				7-8/16-15	1-2/10-9	
TS13H HF	1CT:1CT	1CT:1CT	350	28	0.5	0.9	1.1	1500

Continue									
Part Number	Insertion Loss (dB Max)	Return Loss (dB Min)			Cross talk (dB Min)		DCMR (dB Min)		
		0.3-100MHz	30MHz	60MHz	80MHz	0.3-60MHz	60-100MHz	30MHz	60MHz
TS13H HF	-1.15	-18	-14	-12	-45	-35	-40	-35	-30

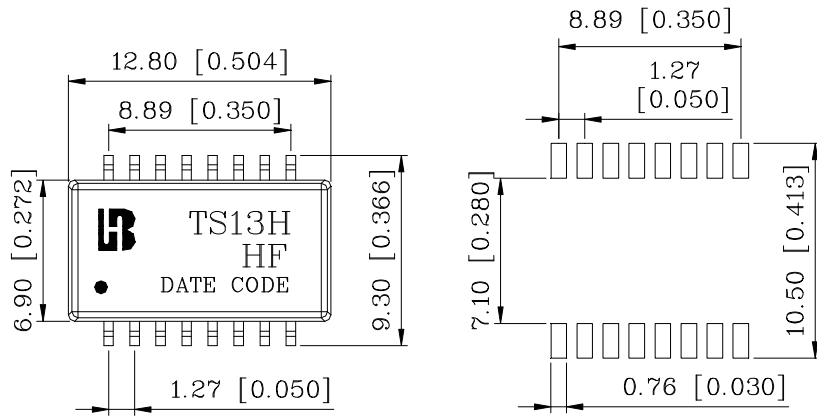
Schematic



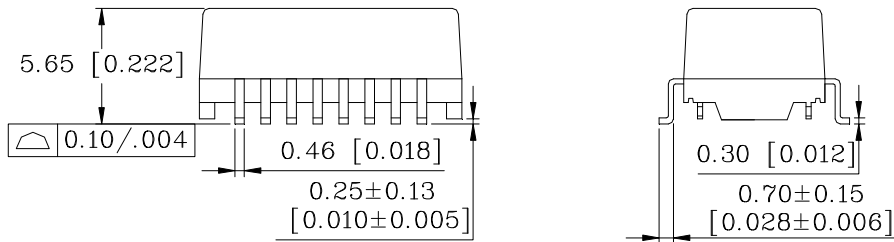
**10/100 BASE-T ETHERNET
ISOLATION TRANSFORMER
P/N: TS13H HF DATA SHEET**



Mechanical



SUGGESTED PAD LAYOUT



Units: mm [Inches] Tolerances: xx.x0 ± 0.25 [0.010]
 0.xx ± 0.05 [0.002]