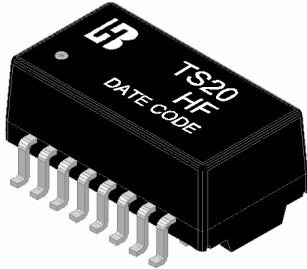


**10/100 BASE-T ETHERNET
ISOLATION TRANSFORMER
P/N: TS20 HF DATA SHEET**



Feature

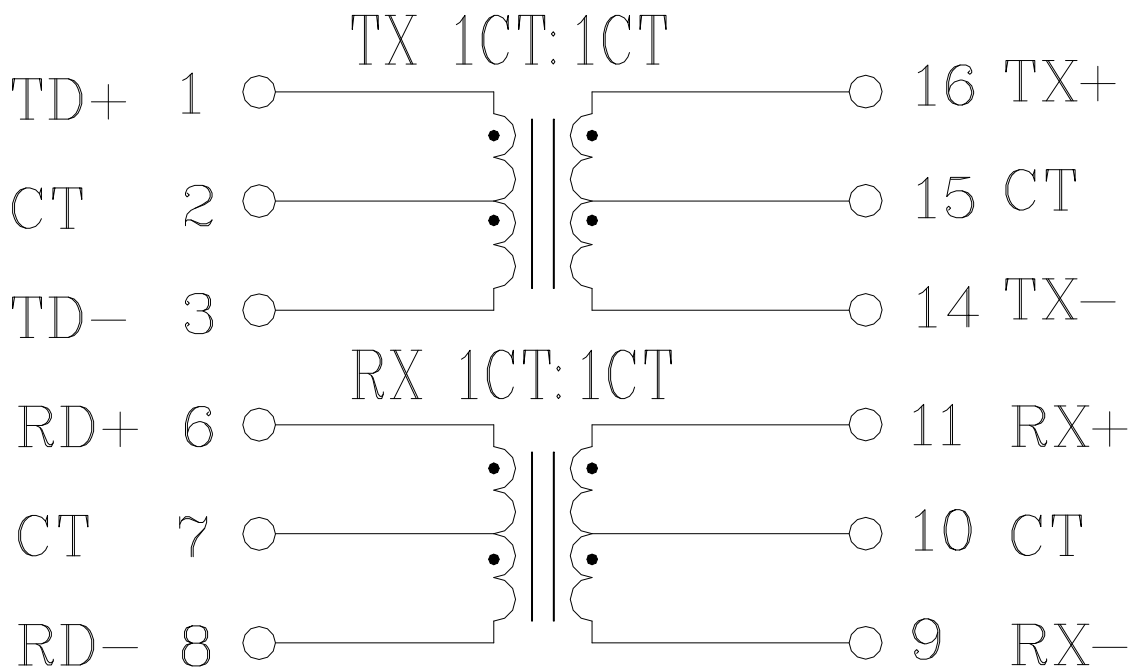


- Designed to meet IEEE 802.3u requirement, including 350uH OCL with 8mA bias.
- Complying with ROHS & Halogen Free requirements.
- Operating temperature range: 0°C to +70°C.
- Storage temperature range: -25°C to +85°C.

| Electrical Specifications @ 25°C | | | | | | |
|----------------------------------|-------------------|----------|---|-----------------------------|------------------|------------------|
| Part Number | Turns Ratio (±5%) | | OCL (uH Min) @ 100KHz/0.1V with 8mA DC Bias | C _{ww} (pF Max) | L.L. (uH Max) | HI-POT (Vrms) |
| | 1-3:16-14 | 6-8:11-9 | | | | |
| TS20 HF | 1CT:1CT | 1CT:1CT | 350 | 28 | 0.5 | 1500 |

| Continue | | | | | | | | | |
|-------------|----------------------------|-------------------------|-------|-------|------------------------|-----------|------------------|-------|-------|
| Part Number | Insertion Loss (dB Max) | Return Loss (dB Min) | | | Cross talk (dB Min) | | DCMR (dB Min) | | |
| | | 0.3-100MHz | 30MHz | 60MHz | 80MHz | 0.3-60MHz | 60-100MHz | 30MHz | 60MHz |
| TS20 HF | -1.15 | -18 | -14 | -12 | -45 | -35 | -40 | -35 | -30 |

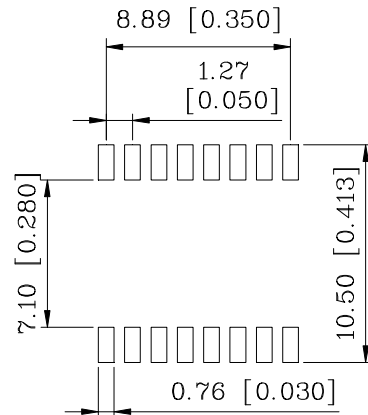
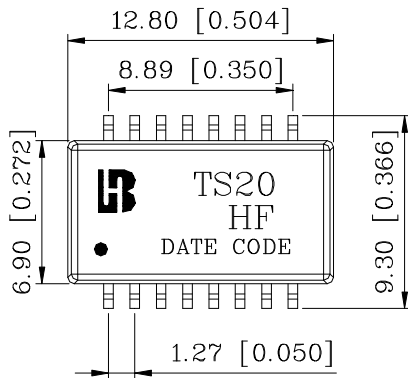
Schematic



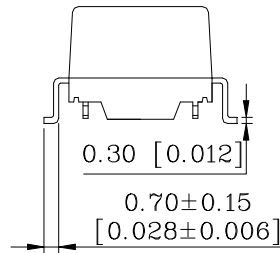
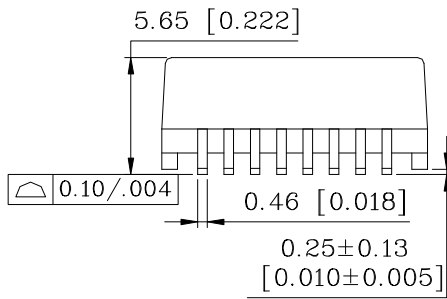
**10/100 BASE-T ETHERNET
ISOLATION TRANSFORMER
P/N: TS20 HF DATA SHEET**



Mechanical



SUGGESTED PAD LAYOUT



Units: mm[Inches] Tolerances: xx.x0±0.25[0.010]
0.xx±0.05[0.002]