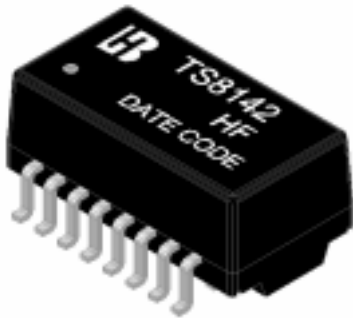


Feature



- Designed to meet IEEE 802.3u requirement including 350uH OCL with 8mA bias.
- Comply with ROHS & Halogen Free requirements.
- Operating temperature range: 0 to +70 .
- Storage temperature range: -25 to +85 .

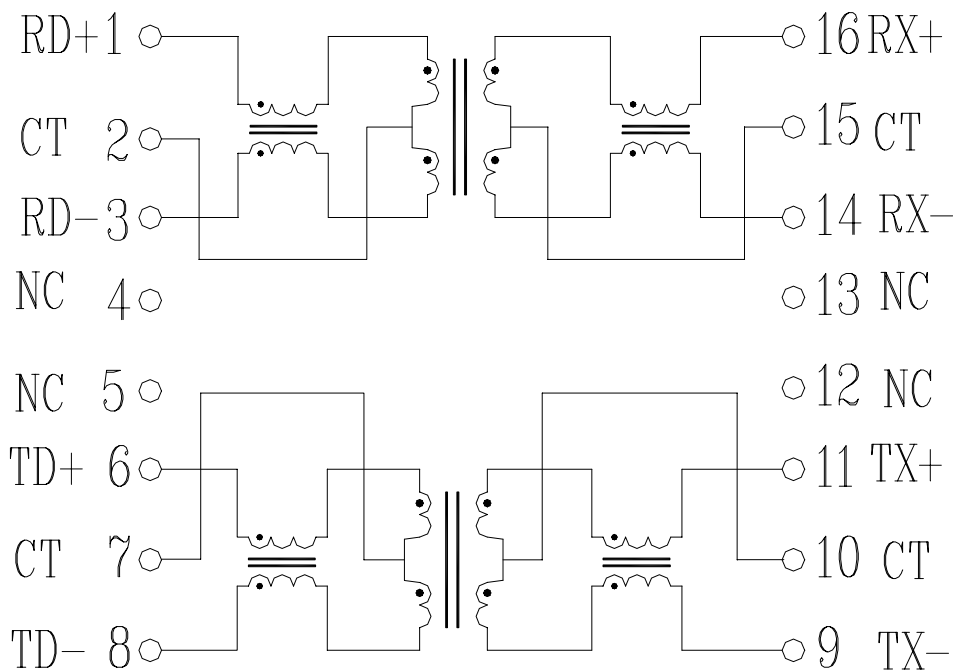
Electrical Specifications @ 25°C

Part Number	Turns Ratio (±5%)		OCL (uH Min) @ 100KHz/0.1V with 8mA DC Bias	DCR (Max)	HI-POT (Vrms)
	1-3:16-14	6-8:11-9			
TS8142 HF	1CT:1CT	1CT:1CT	350	1.1	1500

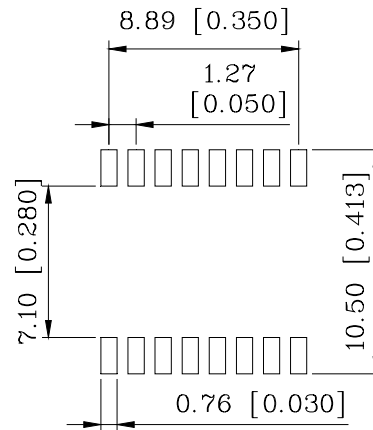
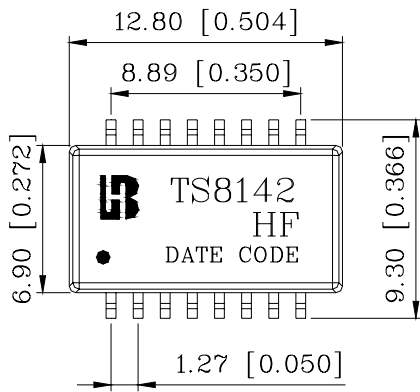
Continue

Part Number	Insertion Loss (dB Max)	Return Loss (dB Min)				Cross talk (dB Min)		DCMR (dB Min)		
		0.3-100 MHz	0.3-30MHz	40MHz	50MHz	60-80MHz	0.3-60MHz	60-100MHz	30MHz	60MHz
TS8142 HF	-1.1	-18	-15.5	-13	-12	-45	-35	-40	-35	-30

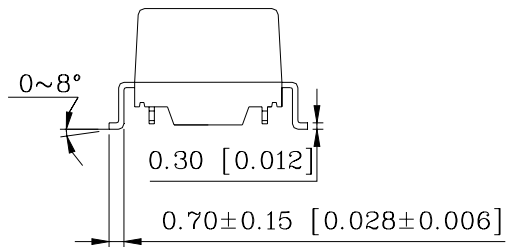
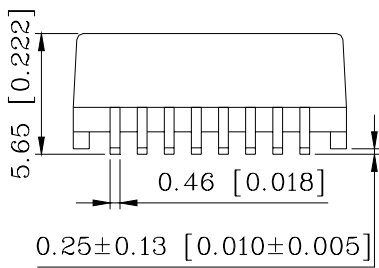
Schematic



Mechanical



SUGGESTED PAD LAYOUT



Units: mm[Inches] Tolerances: xx.x0±0.25[0.010]
0.xx±0.05[0.002]