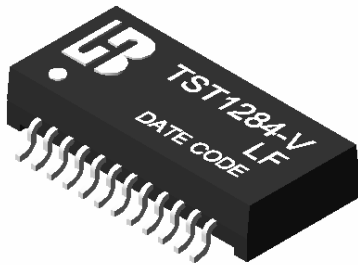


10/100 BASE –T MAGNETICS MODULES

P/N: TST1284-V LF DATA SHEET

Feature

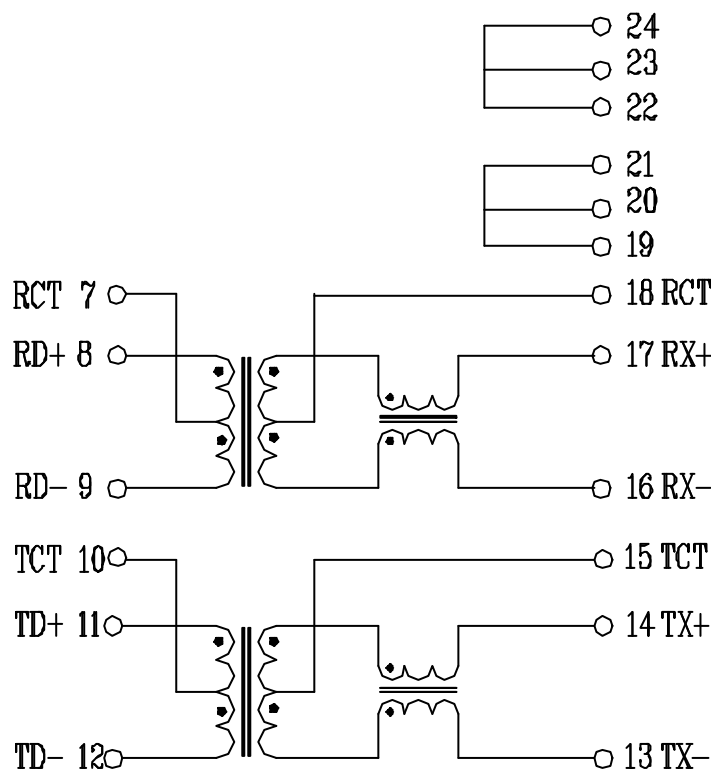


- Comply with RoHS requirements-whole part No Cd, No Hg, No Cr6+, No PBB and PBDE and No Pb on external pins.
- Operating temperature range: 0 to +70 .
- Storage temperature range: -25 to +125 .

Electrical Specifications @ 25°C						
Part Number	Turns Ratio (±5%)		OCL (uH Min) @100KHz/0.1V with 8mA DC Bias	DCR (O Max)	Insertion Loss (dB Max)	HI-POT (Vrms)
	TX	RX			1-100MHz	
TST1284-VLF	1CT:1CT	1CT:1CT	350	2.0	-1.15	1500

Continue										
Part Number	Return Loss (dB Min)@Load 100					Cross talk (dB Min)		DCMR (dB Min)		
	30MHz	40MHz	50MHz	60MHz	80MHz	0.3-60MHz	60-100MHz	30MHz	60MHz	100MHz
TST1284-VLF	-16	-14	-13.5	-13	-12	-45	-35	-40	-30	-25

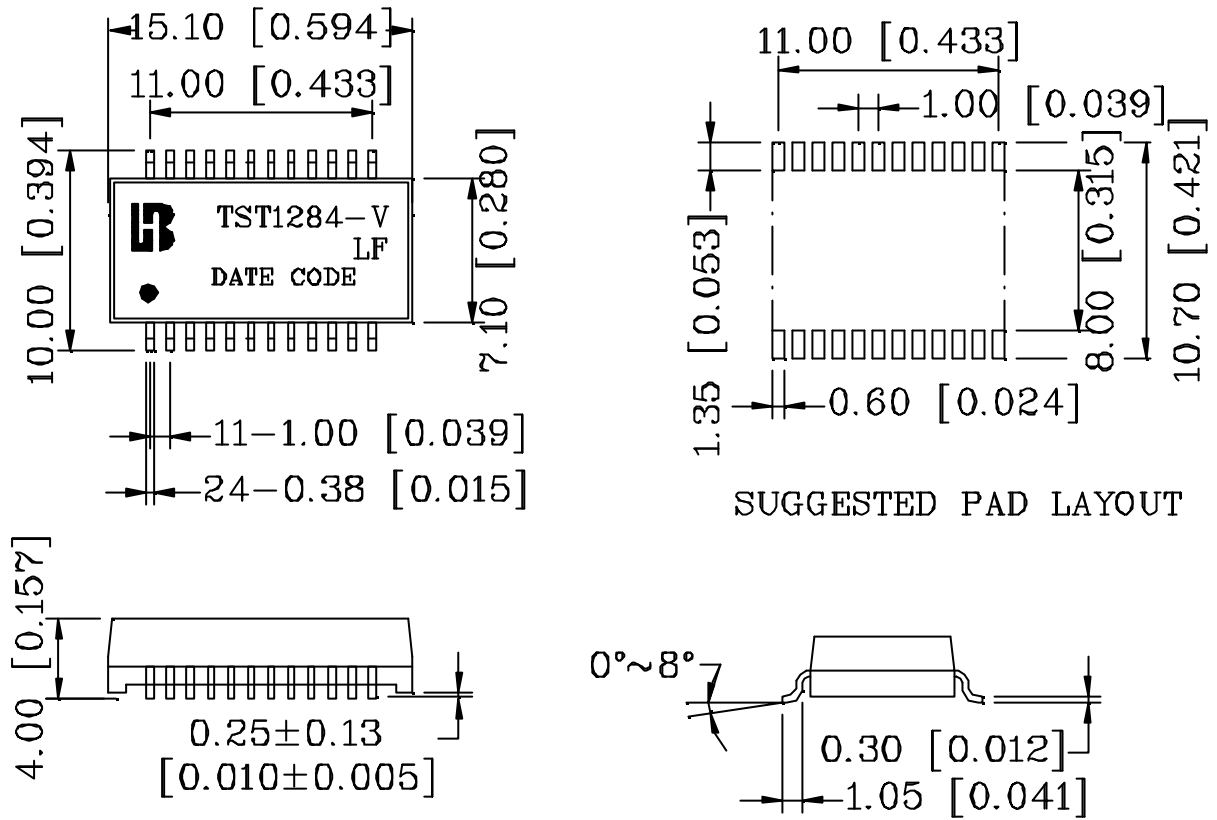
Schematic



10/100 BASE -T MAGNETICS MODULES

P/N: TST1284-V LF DATA SHEET

Mechanical



Units: mm[Inches] Tolerances: xx.x0±0.25[0.010]
 0.xx±0.05[0.002]