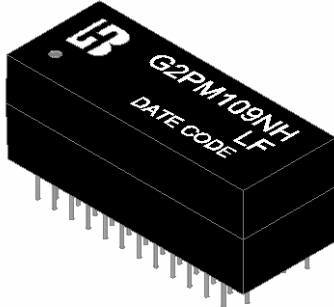


**1000 BASE –T DUAL PORT  
MAGNETICS MODULES  
P/N: G2PM109NH LF DATA SHEET**



**Feature**



- Designed for Ethernet 100/1000 BASE-T, full duplex applications.
- Supports 8 pairs of category 5 UTP cable.
- Cable interface for isolation and low common mode emissions.
- Compliant with IEEE 802.3ab standard for 1000 BASE-T.
- Compliance with ROHS requirements.
- Operating temperature range: 0°C to +70°C.
- Storage temperature range: -25°C to +85°C.

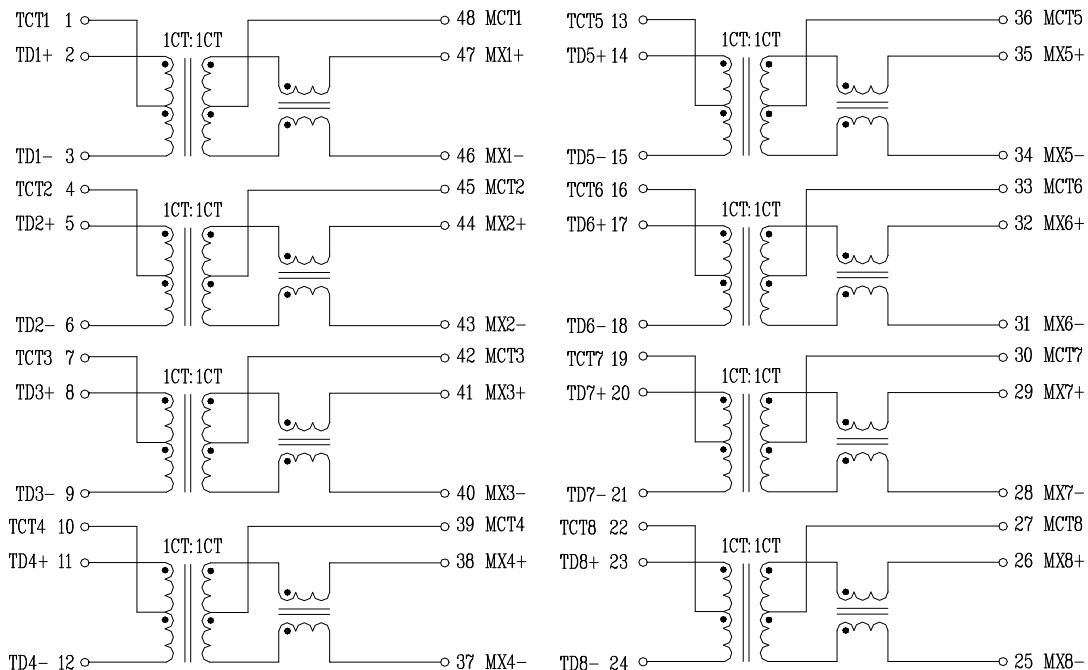
**Electrical Specifications @ 25°C**

Part Number	Turns Ratio (±5%)		OCL (uH Min) @100KHz/0.1V with 8mA DC Bias	Cross talk Attenuation (dB Min)			HI-POT
	TX	RX		30MHz	60MHz	100MHz	
G2PM109NH LF	1CT:1CT	1CT:1CT	350	-40	-35	-30	3000V / 1mA / 2S

**Continue**

Part Number	Insertion Loss (dB Max)	Return Loss (dB Min)@ Load 100Ω					DCMR (dB Min)		
		1-100MHz	1-30MHz	40MHz	50MHz	60-80MHz	100MHz	30MHz	60MHz
G2PM109NH LF	-1.0	-18	-14.4	-13.1	-12	-10	-43	-37	-33

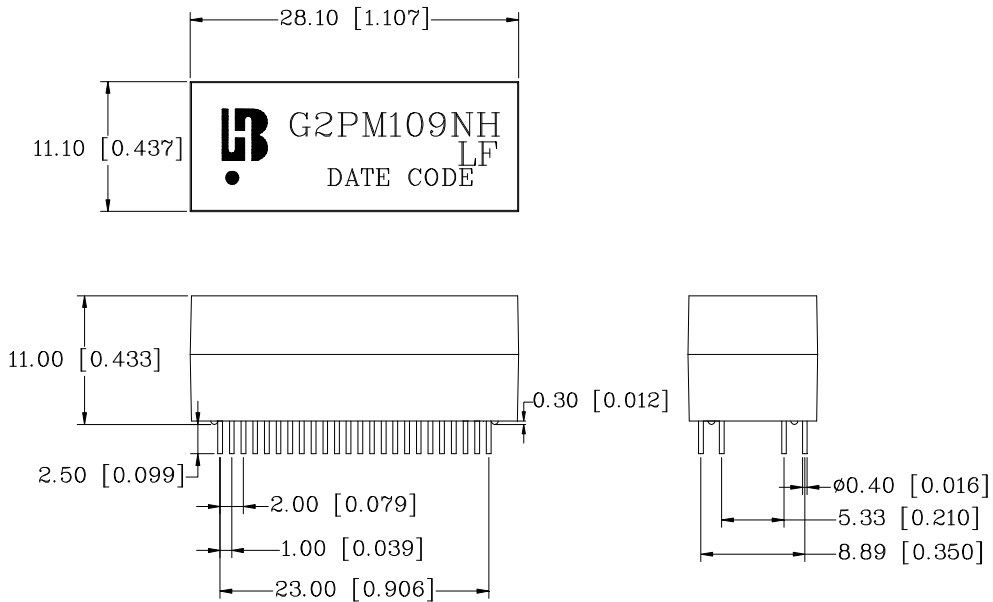
**Schematic**



**1000 BASE -T DUAL PORT  
MAGNETICS MODULES  
P/N: G2PM109NH LF DATA SHEET**

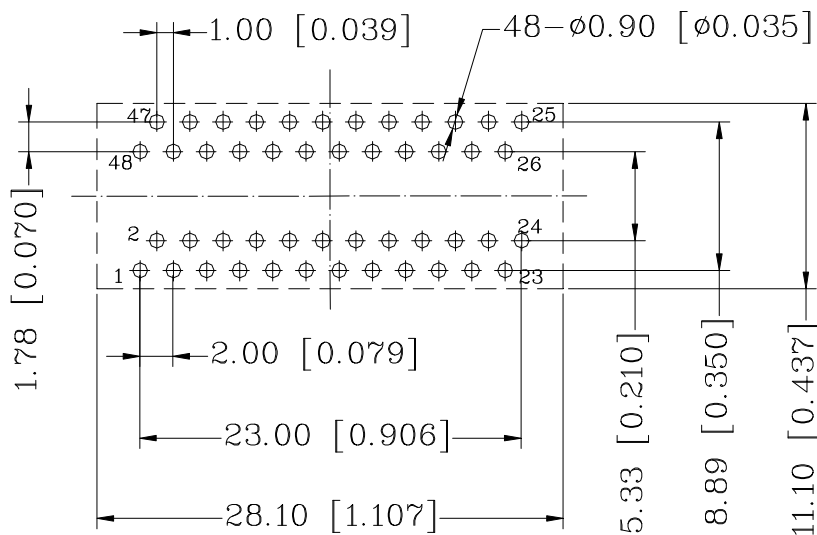


**Mechanical**



Units: mm[Inches] Tolerances XX.X0 : ±0.25[0.010]  
0.XX : ±0.05[0.002]

**PCB Layout mounting Hole ( Top View)**



Unless otherwise specified,  
all dimension tolerance are: ±0.08[±0.003]