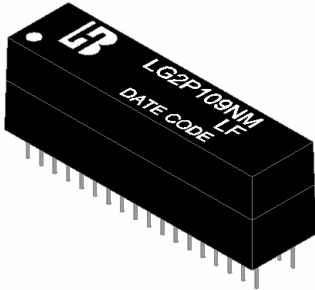


**DUAL PORT MODULE 1000 BASE-TX
LAN MAGNETIC
P/N: LG2P109NM LF DATA SHEET**



Feature

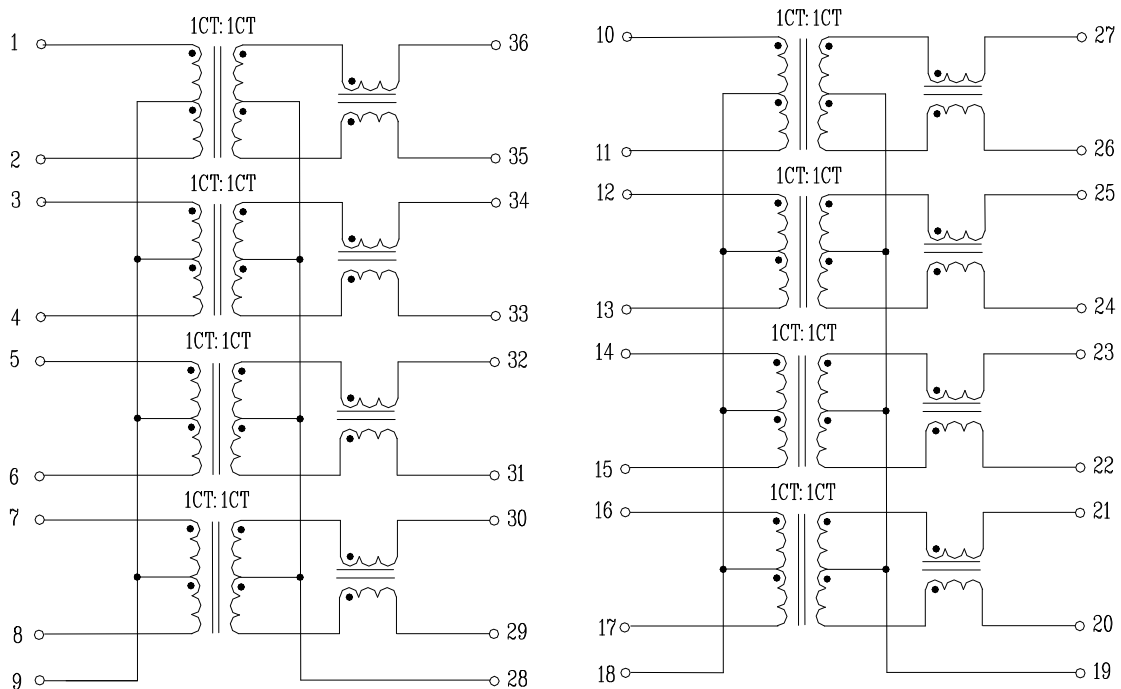


- Magnetic designs to support every PHY.
- Complies with IEEE 802.3ab standards including 350 uH min OCL with 8mA bias.
- Compliance with ROHS requirements.
- Operating temperature range: -40°C to +85°C.
- Storage temperature range: -40°C to +85°C.

Electrical Specifications @ 25°C					
Part Number	Turns Ratio (±5%)		OCL (uH Min) @100KHz/0.1V with 8mA DC Bias	Insertion Loss (dB Max) 1-100MHz	HI-POT (Vrms)
	TX	RX			
LG2P109NM LF	1CT:1CT	1CT:1CT	350	-1.1	1500

Continue									
Part Number	Return Loss (dB Min)			Cross talk (dB Min)			DCMR (dB Min)		
	30MHz	50MHz	80MHz	0.3-30MHz	30-60MHz	60-100MHz	1-30MHz	30-60MHz	60-125MHz
LG2P109NM LF	-15	-13	-11	-40	-35	-30	-30	-25	-20

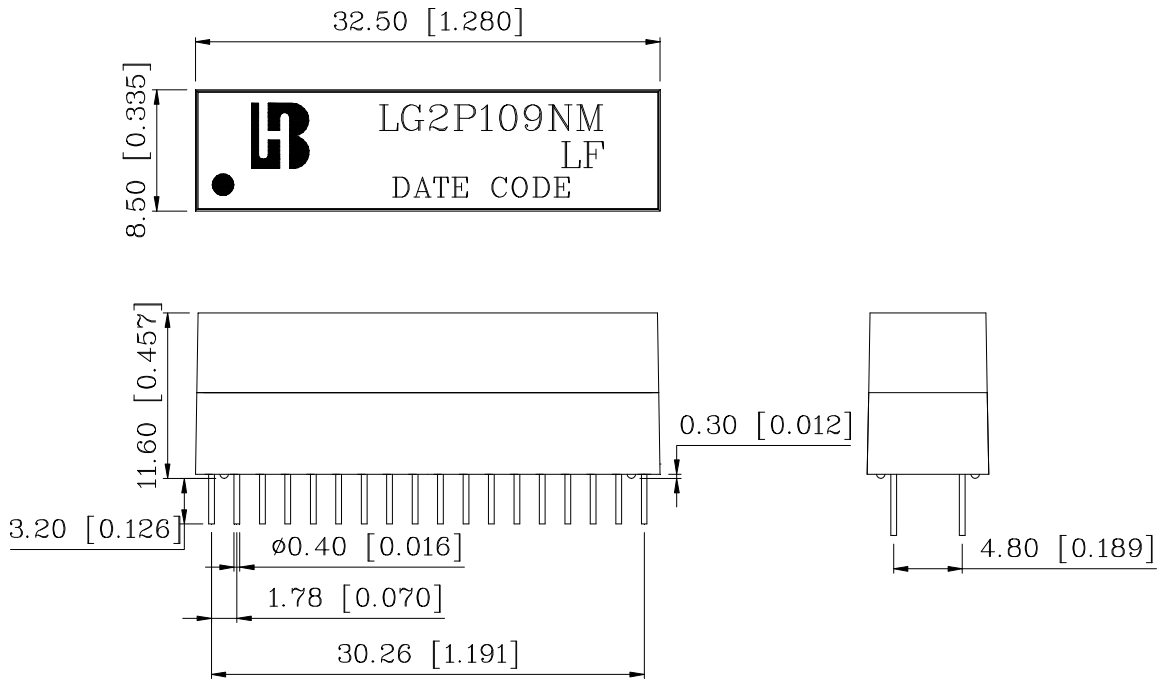
Schematic



**DUAL PORT MODULE 1000 BASE-TX
LAN MAGNETIC
P/N: LG2P109NM LF DATA SHEET**

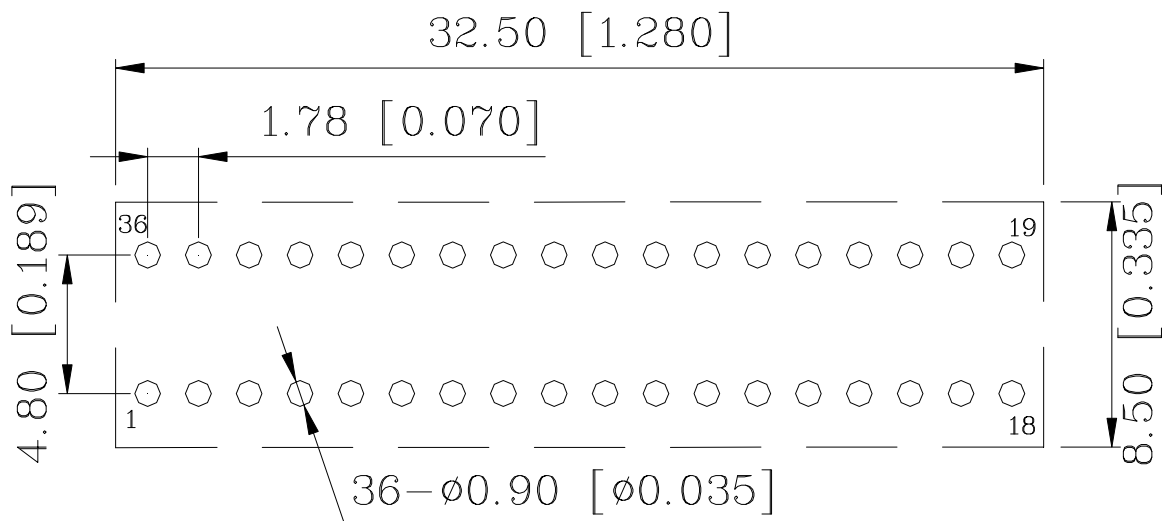


Mechanical



Units: mm[Inches] Tolerances : xx.x0±0.25[0.010]
0.xx±0.05[0.002]

PCB Layout mounting Hole (Top View)



Unless otherwise specified,
all dimension tolerance are: ±0.08[±0.003]