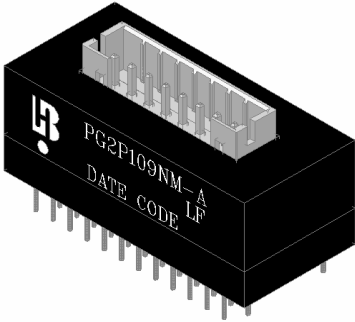


**1000 BASE -T DUAL PORT  
MAGNETICS MODULES  
P/N: PG2P109NM-A LF DATA SHEET**



**Feature**



- Complying with IEEE 802.3at standard for 1000 BASE-T , full duplex applications.
- Supports 8 pairs of category 5 UTP cable.
- Cable interface for isolation and low common mode emissions.
- Complying with ROHS requirements.
- Operating temperature range: -40°C to +85°C.
- Storage temperature range: -40°C to +85°C.

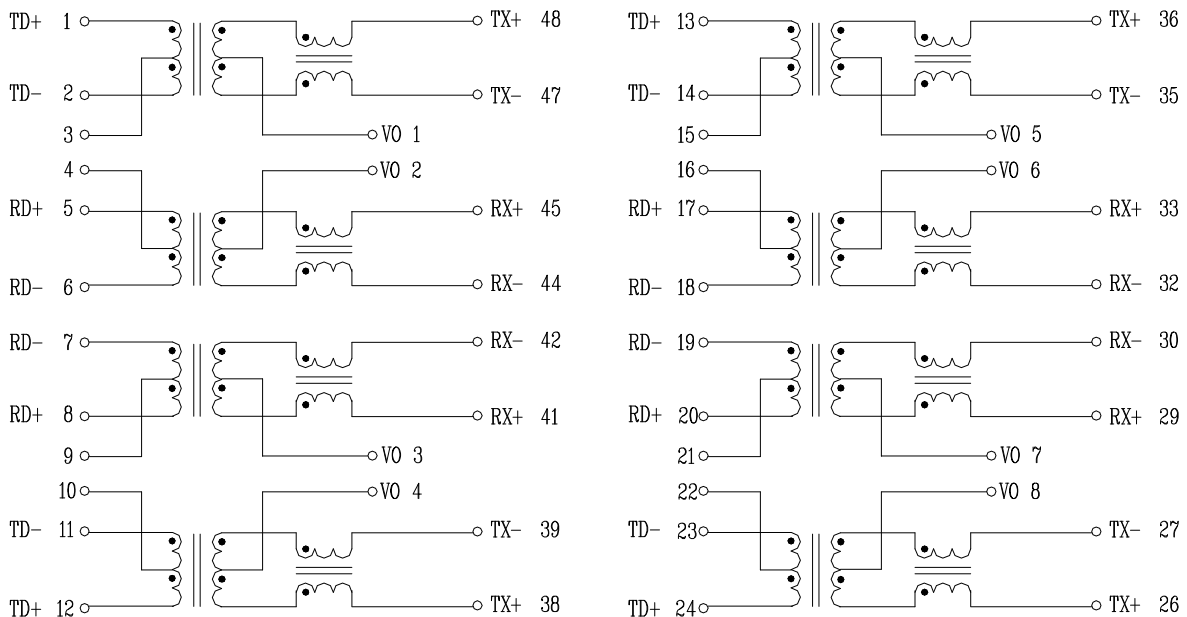
**Electrical Specifications @ 25°C**

Part Number	Turns Ratio (±5%)		OCL (uH Min) @100KHz/0.1V with 8mA DC Bias	Cross talk Attenuation (dB Min)			HI-POT (Vrms)
	TX	RX		30MHz	60MHz	100MHz	
PG2P109NM-A LF	1CT:1CT	1CT:1CT	350	-40	-35	-30	1500

**Continue**

Part Number	Insertion Loss (dB Max)	Return Loss (dB Min)@ Load 100Ω					DCMR (dB Min)		
		1-100MHz	1-30MHz	40MHz	50MHz	60-80MHz	100MHz	30MHz	60MHz
PG2P109NM-A LF	-1.0	-18	-14.4	-13.1	-12	-10	-43	-37	-33

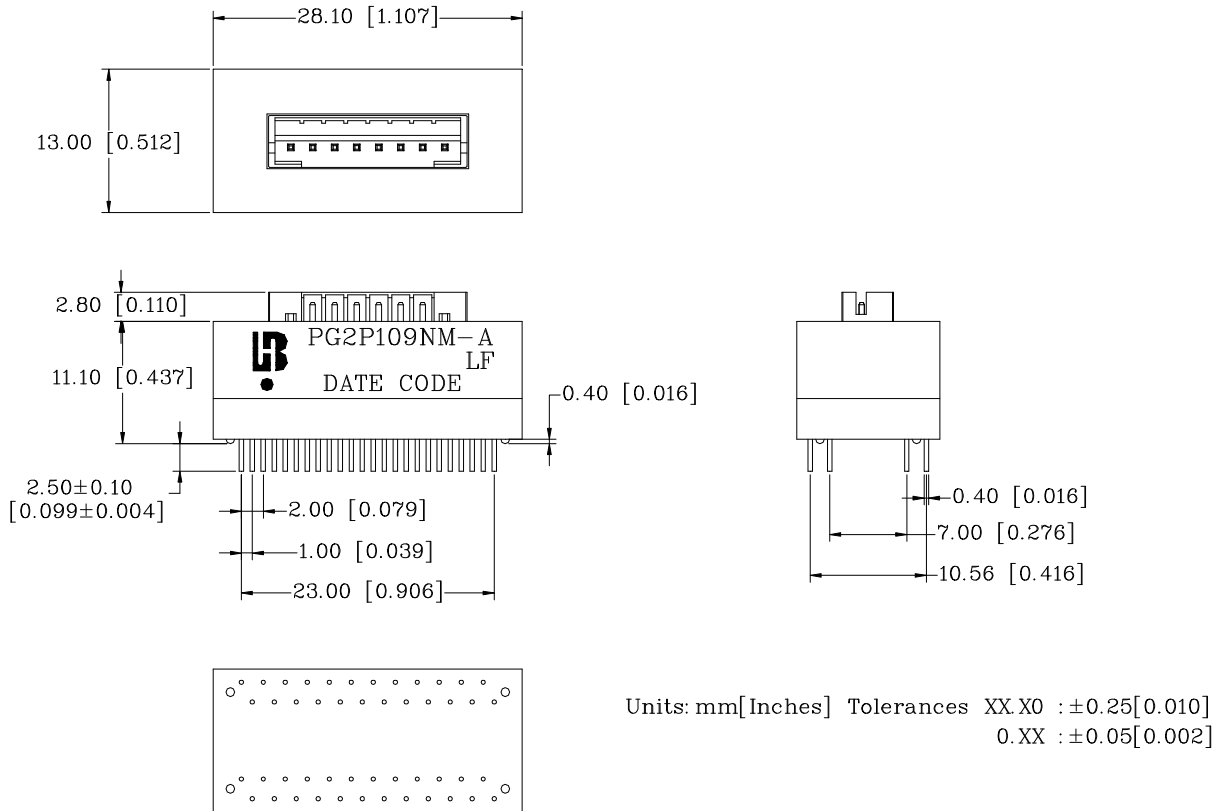
**Schematic**



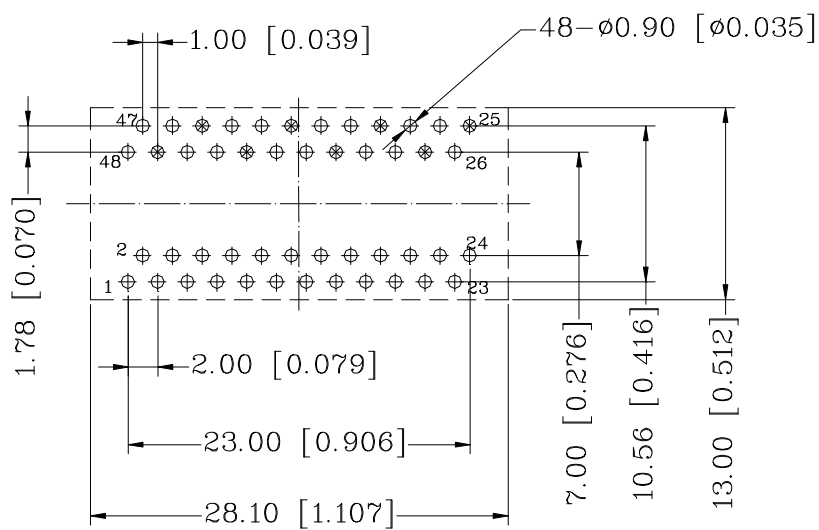
**1000 BASE -T DUAL PORT  
MAGNETICS MODULES  
P/N: PG2P109NM-A LF DATA SHEET**



**Mechanical**



**PCB Layout mounting Hole ( Top View)**



Unless otherwise specified,  
all dimension tolerance are:  $\pm 0.08 [\pm 0.003]$

⊗ 代表空腳位