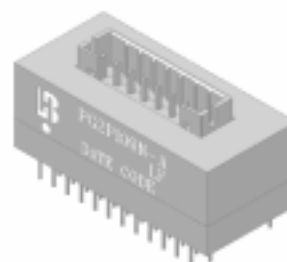


# 1000 BASE –T DUAL PORT MAGNETICS MODULES

## ASSIST POE POWER LINE

- Designed for Ethernet 100/1000 BASE-T, full duplex applications.
- Supports 8 pairs of category 5 UTP cable.
- Cable interface for isolation and low common mode emissions.
- Compliant with IEEE 802.3at standard for 1000 BASE-T.
- Compliance with ROHS requirements.
- Operating temperature range: -40 to +85 .
- Storage temperature range: -40 to +85 .



### Electrical Specifications @ 25

Part Number	Turns Ratio (±5%)		Cross talk Attenuation (dB Min)			MECH	HI-POT (Vrms)
	TX	RX	30MHz	60MHz	100MHz		
PG2P109N-A LF	1CT:1CT	1CT:1CT	-40	-35	-30	PG-A	1500
PG2P109N-C LF	1CT:1CT	1CT:1CT	-40	-35	-30	PG-A	1500
PG2P109NY LF	1CT:1CT	1CT:1CT	-40	-35	-30	PG-A	1500
PG2P109RNY LF	1CT:1CT	1CT:1CT	-40	-35	-30	PG-A	1500

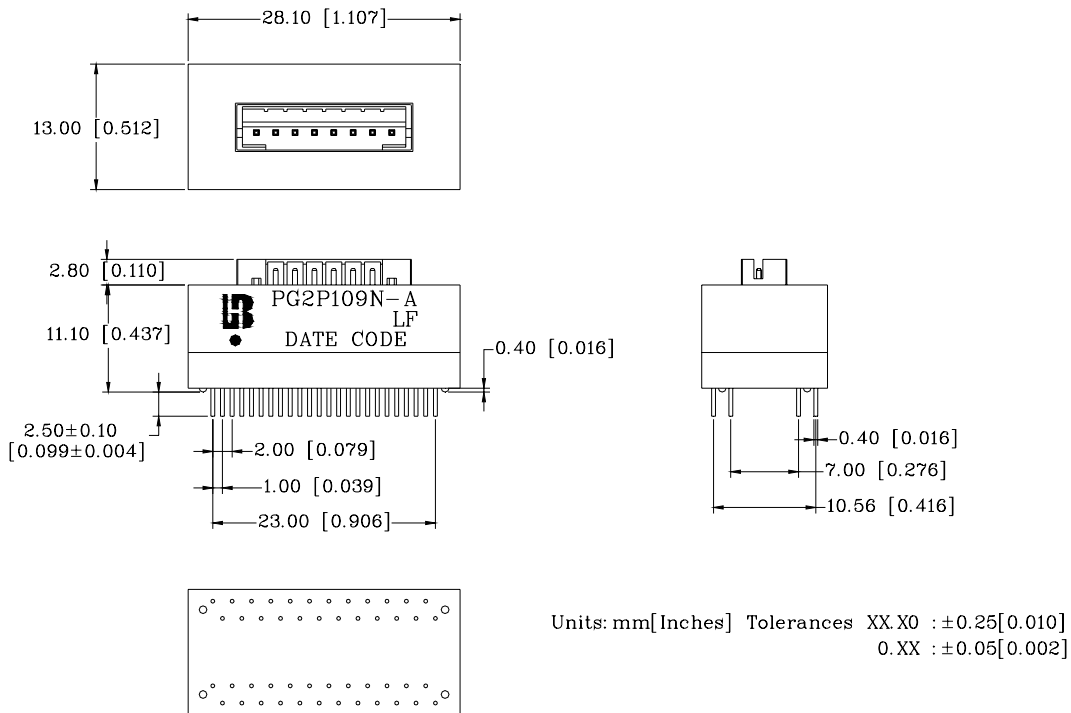
### Continue

Part Number	Insertion Loss (dB Max)	Return Loss (dB Min)@ Load 100Ω					DCMR (dB Min)		
		1-100MHz	1-30MHz	40MHz	50MHz	60-80MHz	100MHz	30MHz	60MHz
PG2P109N-A LF	-1.0	-18	-14.4	-13.1	-12	-10	-43	-37	-33
PG2P109N-C LF	-1.0	-18	-14.4	-13.1	-12	-10	-43	-37	-33
PG2P109NY LF	-1.0	-18	-14.4	-13.1	-12	-10	-43	-37	-33
PG2P109RNY LF	-1.0	-18	-14.4	-13.1	-12	-10	-43	-37	-33

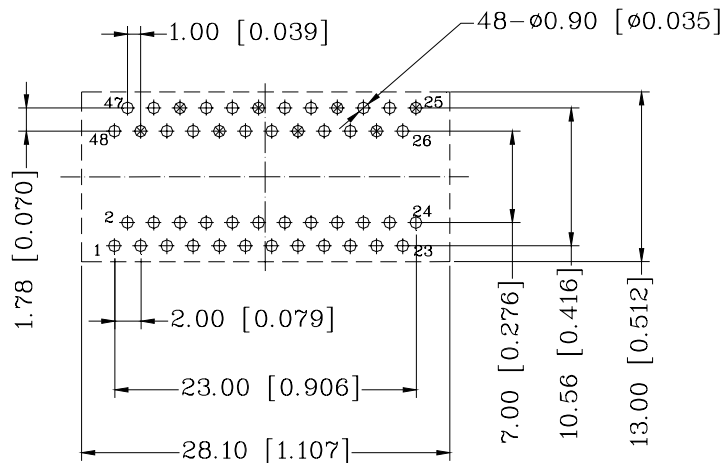
For customized parts or more detailed information, please log on [www.bothhandusa.com](http://www.bothhandusa.com) or write to [sales@bothhandusa.com](mailto:sales@bothhandusa.com)

**Mechanical**

**PG-A**



**PCB Layout mounting Hole ( Top View)**



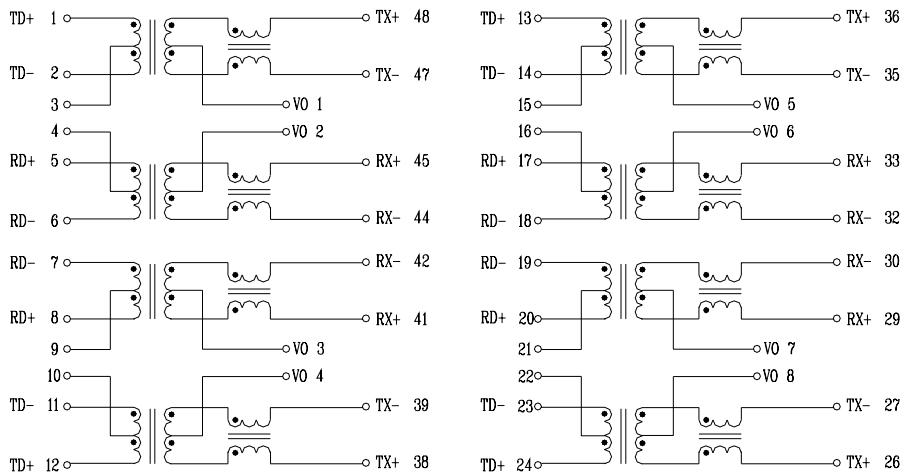
Units: mm[Inches] Tolerance: xx.x0±0.25[0.010]  
 0.xx±0.05[0.002]

⊗ 代表空腳位

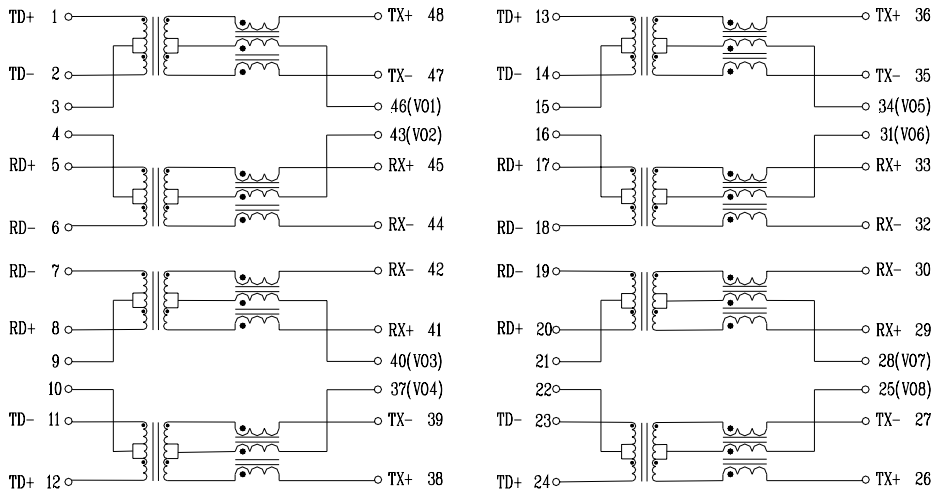
Specifcation	Packing Manner	Q'ty per Tube/Reel	Q'ty/ Inner box	Q'ty/Carton
PG-A	TUBE	17	595	1190

**Schematics**

**PG2P109N-A LF/ PG2P109N-C LF**



**PG2P109NY LF**



**PG2P109RNY LF**

