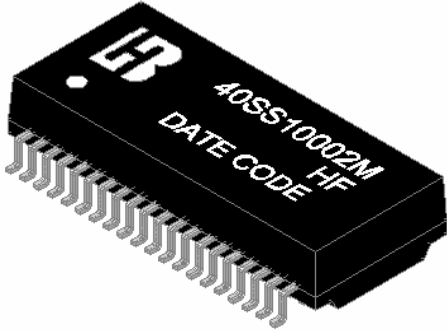


**40 PIN SMD ETHERNET 1000 BASE Dual
Port – HIGH SPEED LAN MAGNETICS
P/N: 40SS10002M HF DATA SHEET**



Feature

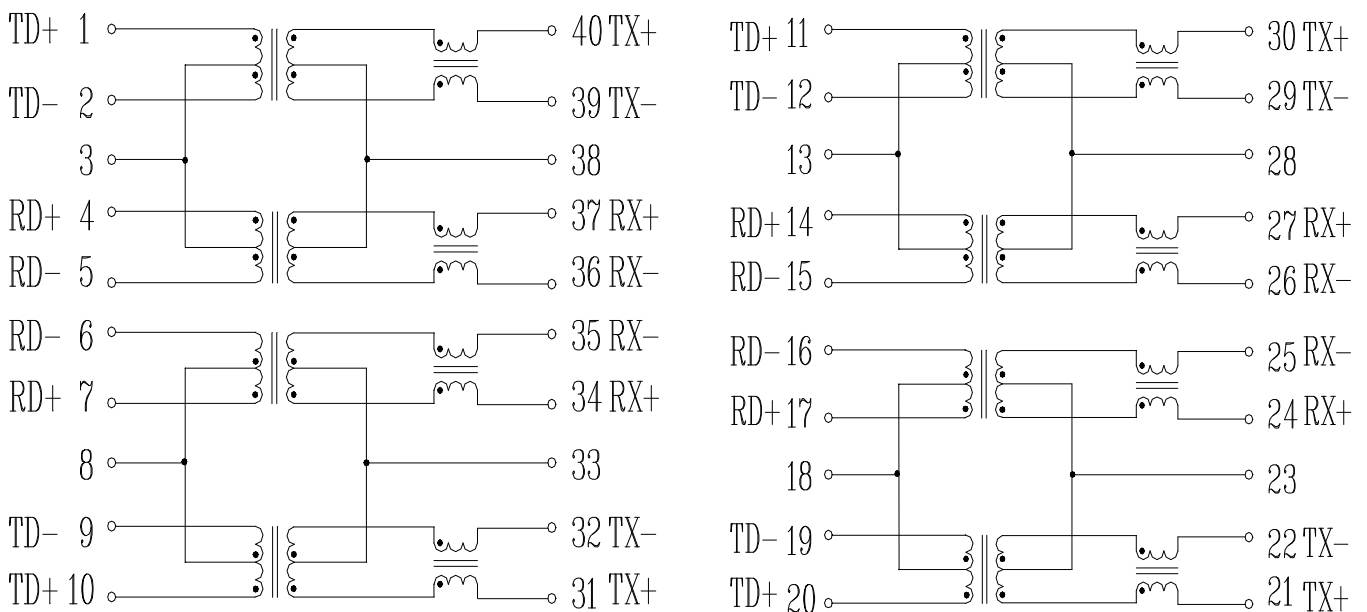


- IEEE 802.3 Ethernet compatible.
- 1000 Base-TX Surface mountable.
- Design for multi-port repeater and Ethernet switching HUB application.
- Customer designs available for specific application.
- Comply with ROHS & Halogen Free requirements.
- Operating temperature range : -40°C to +85°C.
- Storage temperature range: -40°C to +85°C.

Electrical Specifications @ 25°C							
Part Number	Turns Ratio (±5%)		OCL(uH Min) @100KHz/0.1V with 8mA DC Bias	Cross talk Attenuation (dB Min)			HI-POT (Vrms)
	TX	RX		30MHz	60MHz	100MHz	
40SS10002M HF	1CT:1CT	1CT:1CT	350	-40	-35	-30	1500

Continue									
Part Number	Insertion Loss (dB Max)	Return Loss (dB Min) @ Load 100Ω					DCMR (dB Min)		
		1-100MHz	1-30MHz	40MHz	50MHz	60-80MHz	100MHz	30MHz	60MHz
40SS10002M HF	-1.0	-18	-14.4	-13.1	-12	-10	-43	-37	-33

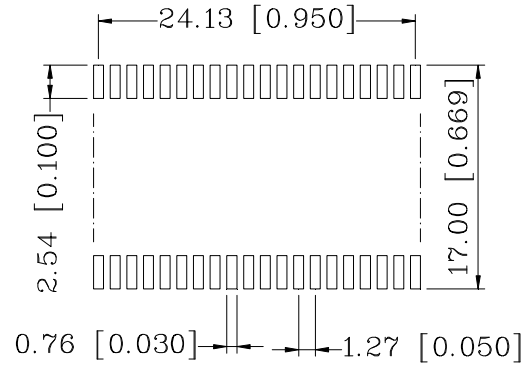
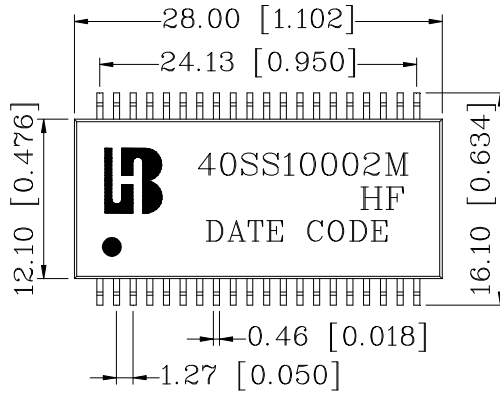
Schematic



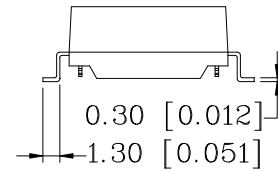
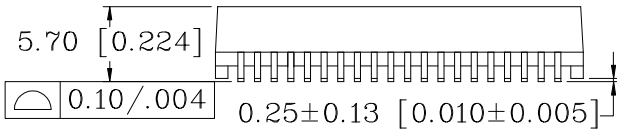
**40 PIN SMD ETHERNET 1000 BASE Dual
Port – HIGH SPEED LAN MAGNETICS
P/N: 40SS10002M HF DATA SHEET**



Mechanical



SUGGESTED PAD LAYOUT



Units: mm[Inches] Tolerances: xx.x0±0.25[0.010]
0.xx±0.05[0.002]