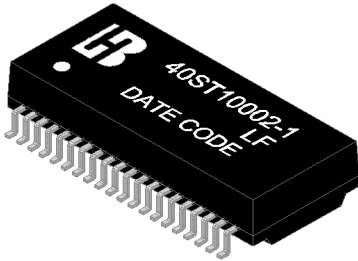


**40 PIN SMD ETHERNET 1000 BASE**  
**Dual Port – HIGH SPEED LAN**  
**MAGNETICS P/N: 40ST10002-1 LF**  
**DATA SHEET**



**Feature**

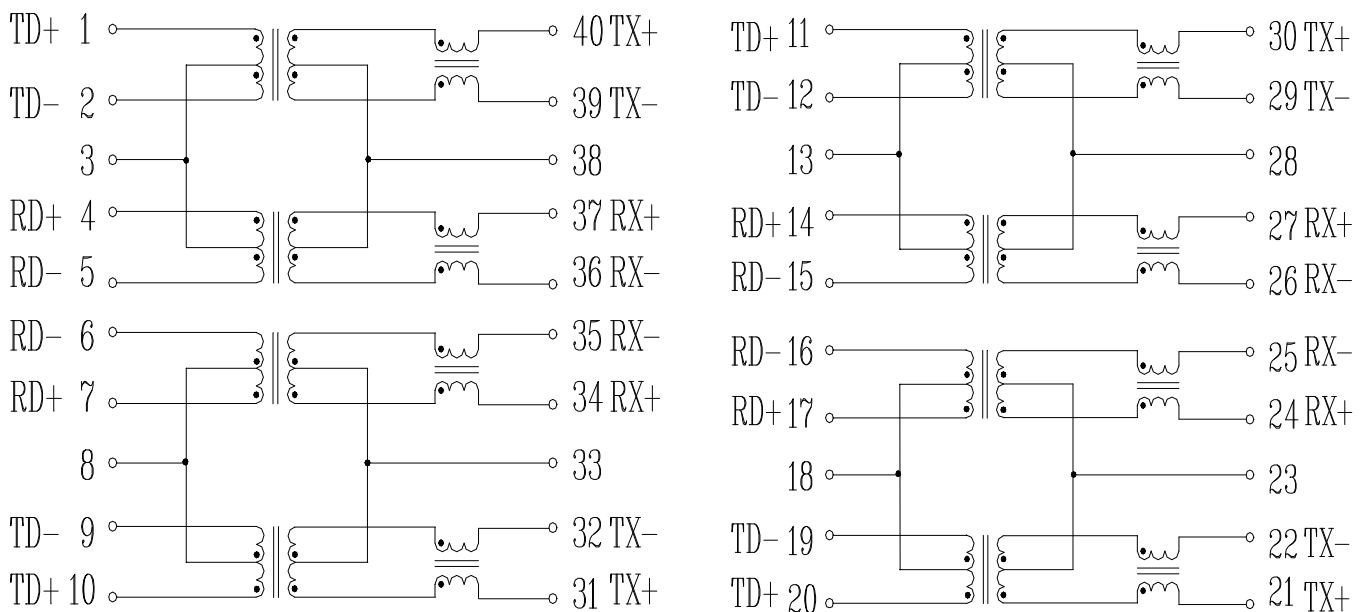


- IEEE 802.3 Ethernet compatible.
- 1000 Base-TX Surface mountable.
- Design for multi-port repeater and Ethernet switching HUB application.
- Customer designs available for specific application.
- Comply with ROHS & Halogen Free requirements.
- Operating temperature range :0°C to +70°C.
- Storage temperature range: -25°C to +85°C.

Electrical Specifications @ 25°C							
Part Number	Turns Ratio (±5%)		OCL(uH Min) @100KHz/0.1V with 8mA DC Bias	Cross talk Attenuation (dB Min)			HI-POT (Vrms)
	TX	RX		30MHz	60MHz	100MHz	
40ST10002-1 LF	1CT:1CT	1CT:1CT	350	-40	-35	-30	1500

Continue									
Part Number	Insertion Loss (dB Max)	Return Loss (dB Min) @ Load 100Ω					DCMR (dB Min)		
		1-100MHz	1-30MHz	40MHz	50MHz	60-80MHz	100MHz	30MHz	60MHz
40ST10002-1 LF	-1.0	-18	-14.4	-13.1	-12	-10	-43	-37	-33

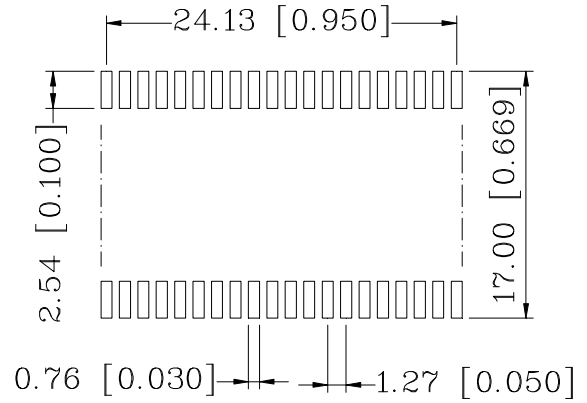
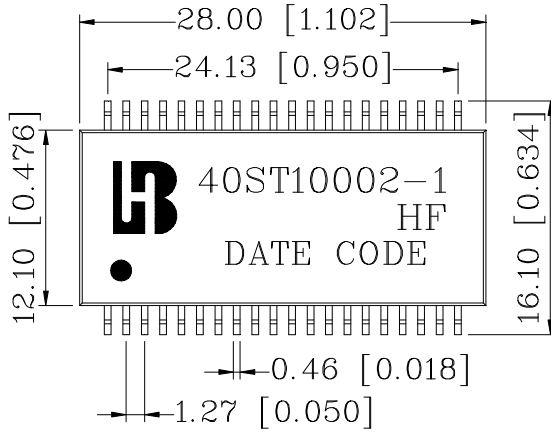
**Schematic**



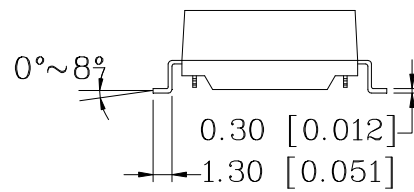
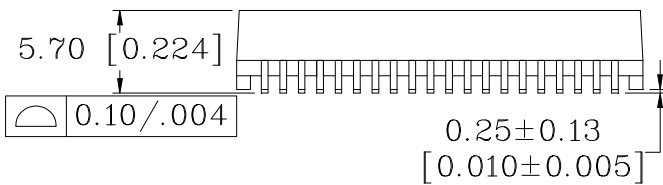
**40 PIN SMD ETHERNET 1000 BASE**  
**Dual Port – HIGH SPEED LAN**  
**MAGNETICS P/N: 40ST10002-1 LF**  
**DATA SHEET**



**Mechanical**



SUGGESTED PAD LAYOUT



Units: mm [Inches]    Tolerances: xx.x0 ± 0.25 [0.010]  
 0.xx ± 0.05 [0.002]

**40 PIN SMD ETHERNET 1000 BASE  
Dual Port – HIGH SPEED LAN  
MAGNETICS P/N: 40ST10002-1 LF  
DATA SHEET**



---

[www.bothhandusa.com](http://www.bothhandusa.com)

---