

1000 BASE –T DUAL PORT MAGNETICS MODULES

P/N: G2PS109N-A LF DATA SHEET

Feature

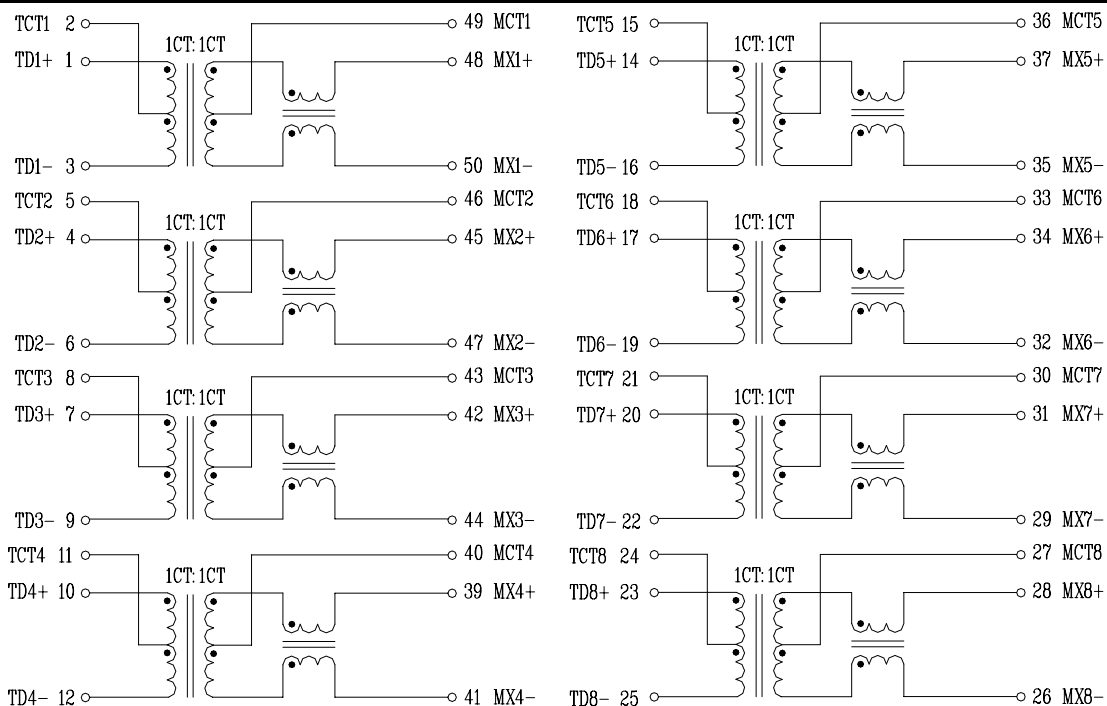


- Designed for Ethernet 100/1000 BASE-T, full duplex applications.
- Supports 8 pairs of category 5 UTP cable.
- Cable interface for isolation and low common mode emissions.
- Compliant with IEEE 802.3ab standard for 1000 BASE-T.
- Comply with ROHS & Halogen Free requirements.
- Operating temperature range: 0 to +70 .
- Storage temperature range: -25 to +85 .

Electrical Specifications @ 25°C							
Part Number	Turns Ratio (±5%)		OCL (uH Min) @100KHz/0.1V with 8mA DC Bias	Cross talk Attenuation (dB Min)			HI-POT (Vrms)
	TX	RX		30MHz	60MHz	100MHz	
G2PS109N-A LF	1CT:1CT	1CT:1CT	350	-40	-35	-30	1500

Continue									
Part Number	Insertion Loss (dB Max)	Return Loss (dB Min)@ Load 100					DCMR (dB Min)		
		1-100MHz	1-30MHz	40MHz	50MHz	60-80MHz	100MHz	30MHz	60MHz
G2PS109N-A LF	-1.0	-18	-14.4	-13.1	-12	-10	-43	-37	-33

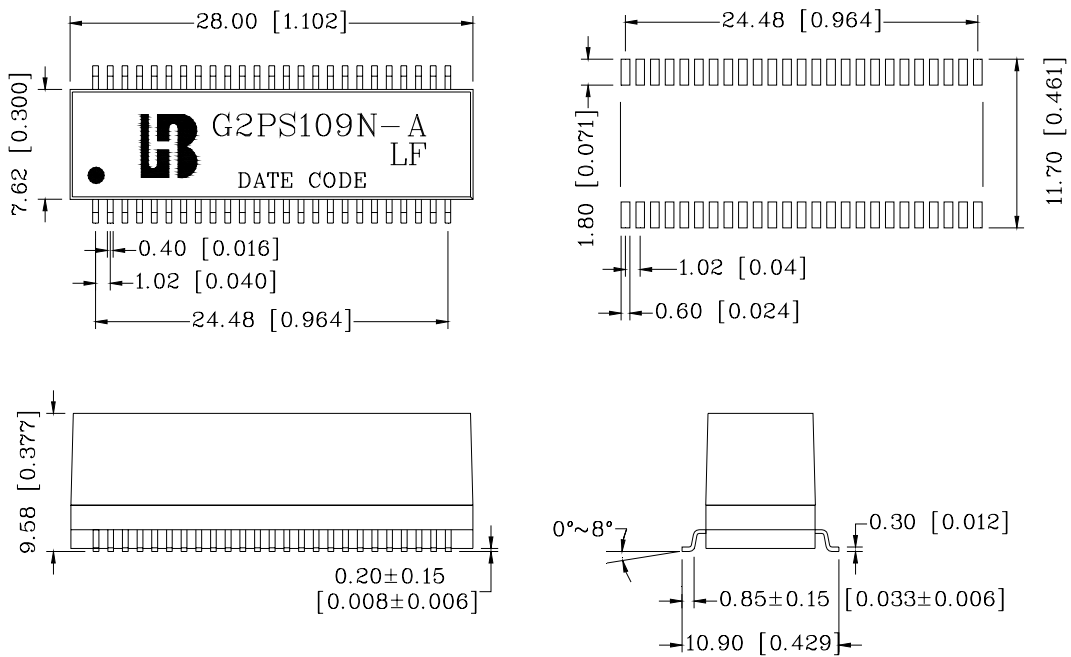
Schematic



1000 BASE -T DUAL PORT MAGNETICS MODULES

P/N: G2PS109N-A LF DATA SHEET

Mechanical



Units: mm [Inches] Tolerances: xx.x0 ± 0.25 [0.010]
0.XX ± 0.05 [0.010]