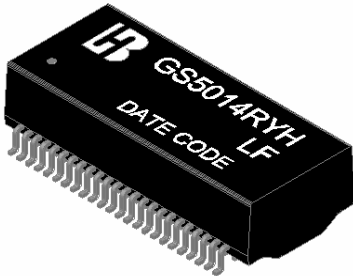


**1000 BASE –T DUAL PORT  
MAGNETICS MODULES  
P/N: GS5014RYH LF DATA SHEET**



**Feature**

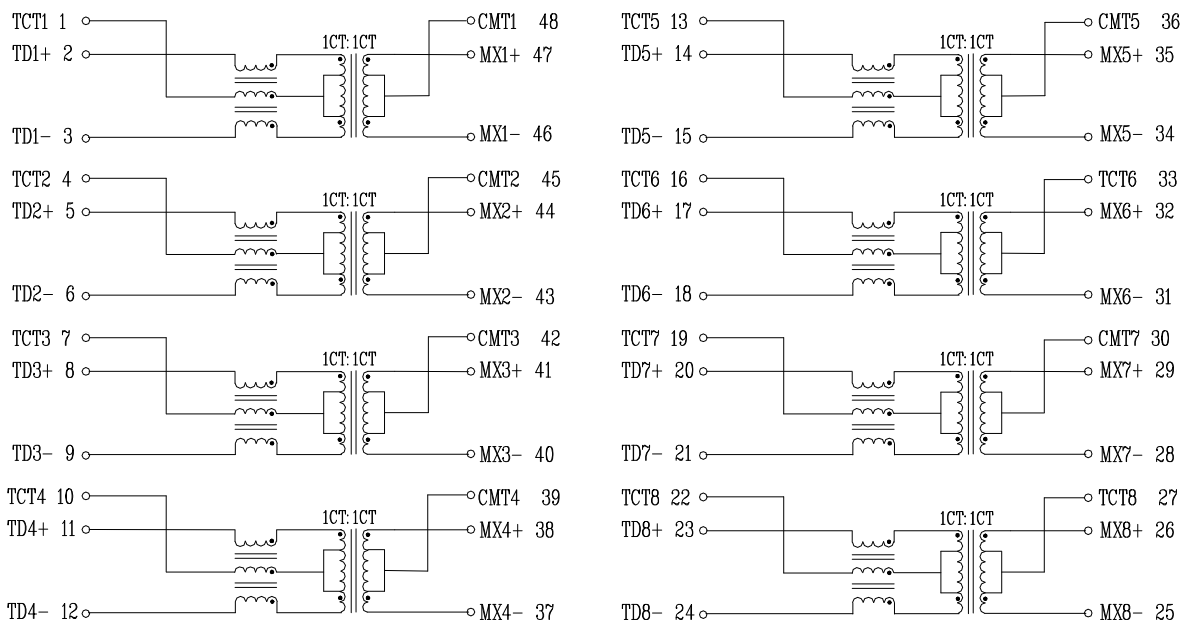


- Complying with IEEE 802.3ab standard for 1000 BASE-T , full duplex applications.
- Supports 8 pairs of category 5 UTP cable.
- Cable interface for isolation and low common mode emissions.
- POE applications with 350mA current capability.
- Complying with ROHS & Halogen Free requirements.
- Operating temperature range: 0°C to +70°C.
- Storage temperature range: -25°C to +85°C.

| Electrical Specifications @ 25°C |                   |         |  |                                 |       |        |                  |
|----------------------------------|-------------------|---------|--|---------------------------------|-------|--------|------------------|
| Part Number                      | Turns Ratio (±5%) |         | OCL (uH Min) @100KHz/0.1V with 8mA DC Bias | Cross talk Attenuation (dB Min) |       |        | HI-POT           |
|                                  | TX                | RX      |  | 30MHz                           | 60MHz | 100MHz |                  |
| GS5014RYH LF                     | 1CT:1CT           | 1CT:1CT | 350  | -40                             | -35   | -30    | 3000V / 1mA / 2S |

| Continue     |                         |                                 |         |       |       |          |               |       |       |
|--------------|-------------------------|---------------------------------|---------|-------|-------|----------|---------------|-------|-------|
| Part Number  | Insertion Loss (dB Max) | Return Loss (dB Min)@ Load 100Ω |         |       |       |          | DCMR (dB Min) |       |       |
|              |                         | 1-100MHz                        | 1-30MHz | 40MHz | 50MHz | 60-80MHz | 100MHz        | 30MHz | 60MHz |
| GS5014RYH LF | -1.0                    | -18                             | -14.4   | -13.1 | -12   | -10      | -43           | -37   | -33   |

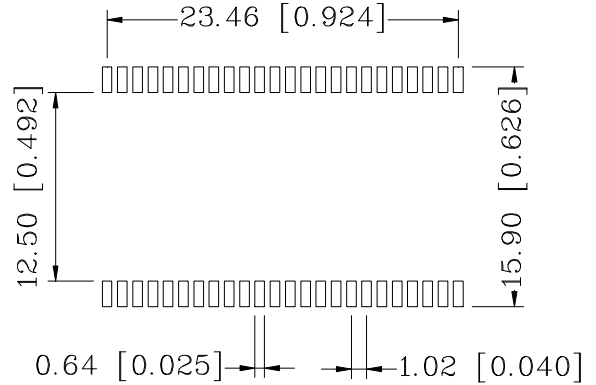
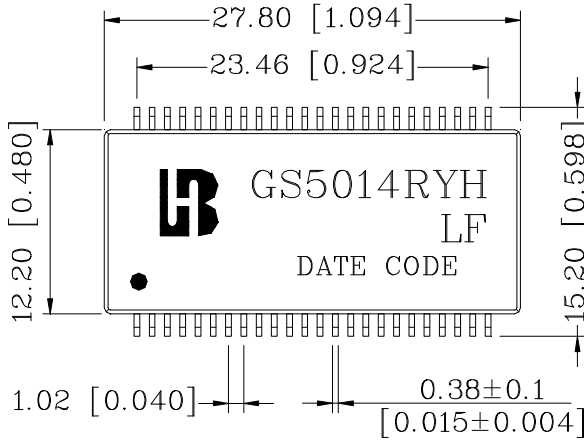
**Schematic**



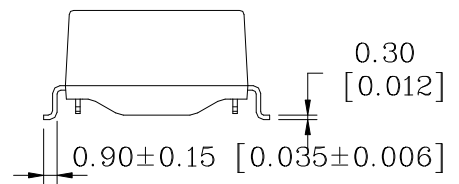
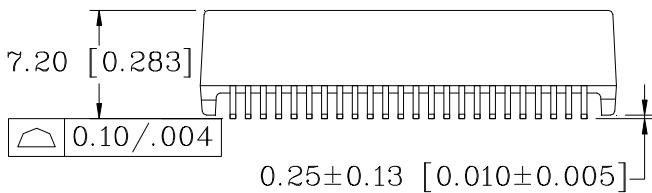
**1000 BASE -T DUAL PORT  
MAGNETICS MODULES  
P/N: GS5014RYH LF DATA SHEET**



**Mechanical**



SUGGESTED PAD LAYOUT



Units: mm[Inches] Tolerance: xx.x0±0.25[0.010]  
0.xx±0.05[0.002]