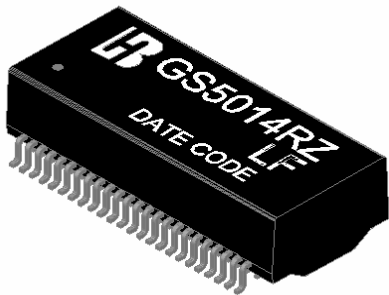


1000 BASE -T DUAL PORT MAGNETICS MODULES

P/N: GS5014RZ LF DATA SHEET

Feature

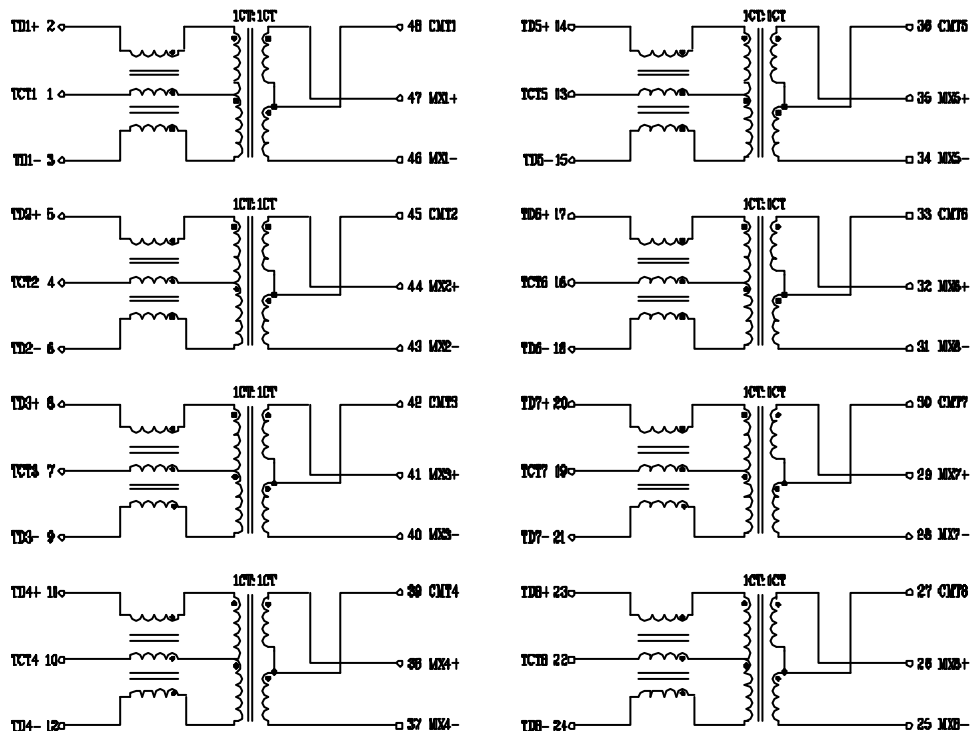


- For ROHS part add the suffix **NL**¹
- Cable interface for isolation and low common mode emissions
- Comply with RoHS requirements-whole part No Cd, No Hg, No Cr6+, No PBB and PBDE and No Pb on external pins.
- Compliant with IEEE 802.3ab standard
- Operating temperature range: 0 to +70 .
- Storage temperature range: -25 to +125 .

Electrical Specifications @ 25°C							
Part Number	Turns Ratio (±5%)		OCL (uH Min) @100KHz/0.1V with 8mA DC Bias	Cross talk Attenuation (dB Min)			HI-POT (Vrms)
	TX	RX		30MHz	60MHz	100MHz	
GS5014RZ LF	1CT:1CT	1CT:1CT	350	-43	-37	-33	1500

Continue								
Part Number	Insertion Loss (dB Max)	Return Loss (dB Min)@ Load 100				DCMR (dB Min)		
		1-100MHz	30MHz	40MHz	50MHz	60-80MH	30MHz	60MHz
GS5014RZ LF	-1.4	-16	-14	-12	-10	-43	-37	-33

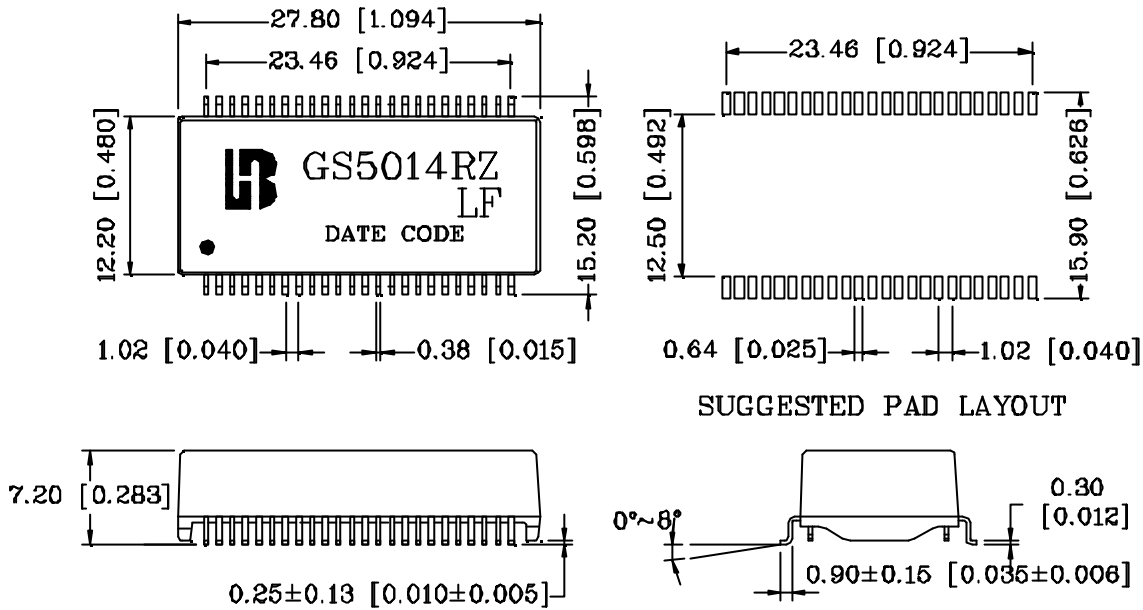
Schematic



1000 BASE -T DUAL PORT MAGNETICS MODULES

P/N: GS5014RZ LF DATA SHEET

Mechanical



Units: mm[Inches] Tolerance: xx.x0±0.25[0.010]
0.xx±0.05[0.002]