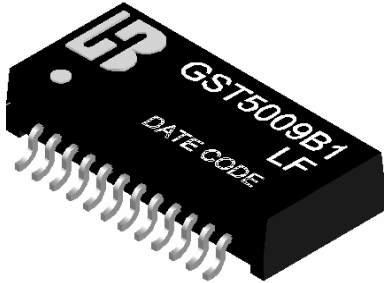


1000 BASE –T MAGNETICS MODULES

P/N: GST5009B1 LF DATA SHEET



Feature

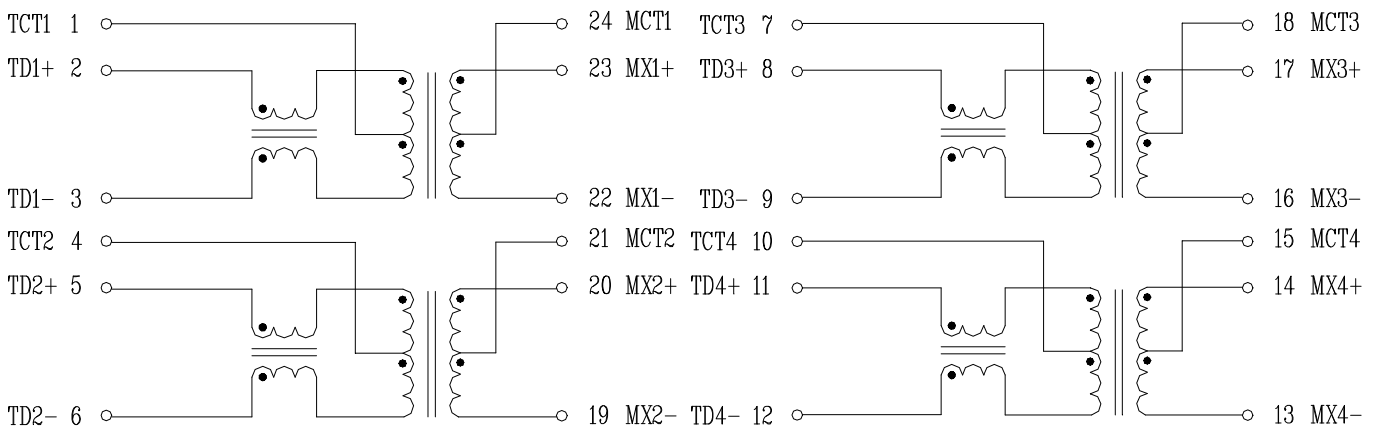


- Designed for long haul gigabit Ethernet 1000 BASE-T, full duplex applications.
- Supports 4 pairs of category 5 UTP cable.
- Cable interface for isolation and low common mode emissions.
- Compliant with IEEE 802.3ab standard for 1000 BASE-T.
- Comply with ROHS & Halogen Free requirements.
- Operating temperature range: 0°C to +70°C.
- Storage temperature range: -25°C to +85°C.

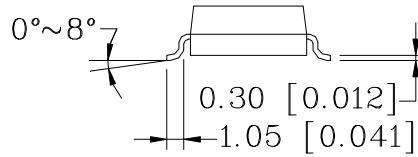
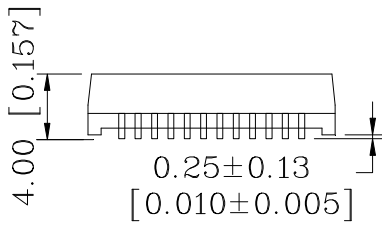
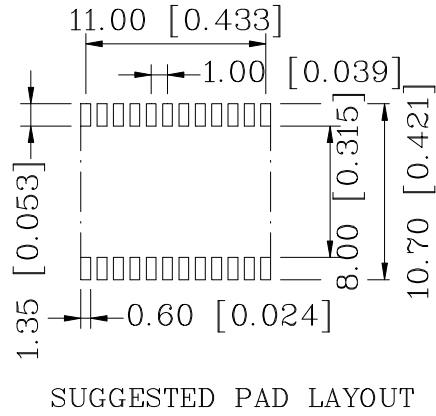
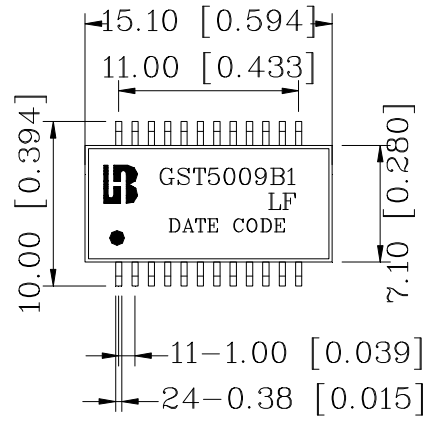
| Electrical Specifications @ 25°C | | | | | | | | | | |
|----------------------------------|-------------------|---------|--|---------------|--------------|---------------------------------|-------|--------|-----------------|---------------|
| Part Number | Turns Ratio (±5%) | | OCL (uH Min) @100KHz/0.1V with 8mA DC Bias | Cw/w (pF Max) | L.L (uH Max) | Cross talk Attenuation (dB Min) | | | DCR (Ω Max) PRI | HI-POT (Vrms) |
| | TX | RX | | | | 30MHz | 60MHz | 100MHz | | |
| GST5009B1 LF | 1CT:1CT | 1CT:1CT | 350 | 28 | 0.4 | -45 | -40 | -35 | 0.9 | 1500 |

| Continue | | | | | | | | | |
|--------------|-------------------------|----------------------------------|---------|-------|-------|----------|---------------|-------|-------|
| Part Number | Insertion Loss (dB Max) | Return Loss (dB Min) @ Load 100Ω | | | | | DCMR (dB Min) | | |
| | | 1-100MHz | 1-30MHz | 40MHz | 50MHz | 60-80MHz | 100MHz | 30MHz | 60MHz |
| GST5009B1 LF | -1.0 | -18 | -14.4 | -13.1 | -12 | -10 | -40 | -35 | -30 |

Schematic



Mechanical



Units: mm [Inches] Tolerances: xx.x0±0.25 [0.010]
 0.xx±0.05 [0.002]