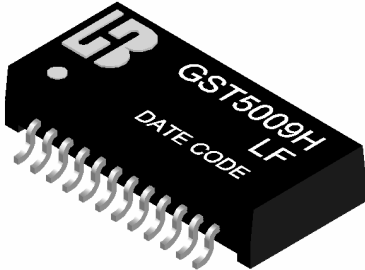


# 1000 BASE -T MAGNETICS MODULES

P/N: GST5009H LF DATA SHEET



## Feature



- Designed for Ethernet 100/1000 BASE-T, full duplex applications.
- IEEE 802.3af/ANSI X3.263 compliant performance.
- 350mA current capability.
- Cable interface for isolation and low common mode emissions.
- Comply with ROHS & Halogen Free requirements.
- Operating temperature range: 0°C to +70°C.
- Storage temperature range: -25°C to +85°C.

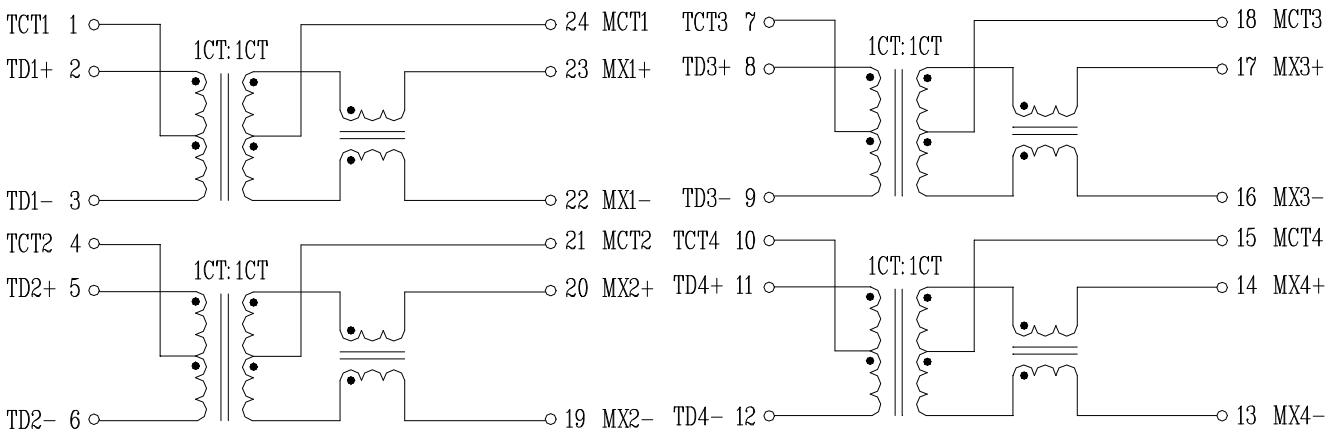
### Electrical Specifications @ 25°C

Part Number	Turns Ratio (±5%)		OCL (uH Min) @100KHz/0.1V with 8mA DC Bias	Cross talk Attenuation (dB Min)			HI-POT
	TX	RX		30MHz	60MHz	100MHz	
GST5009H LF	1CT:1CT	1CT:1CT	350	-45	-40	-35	AC3000V/1ma/2S

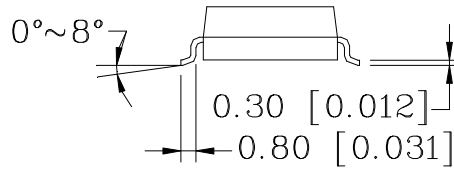
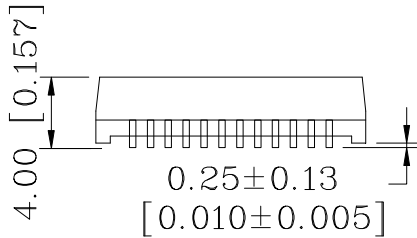
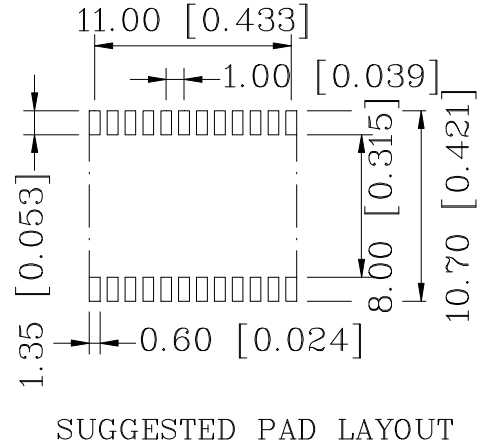
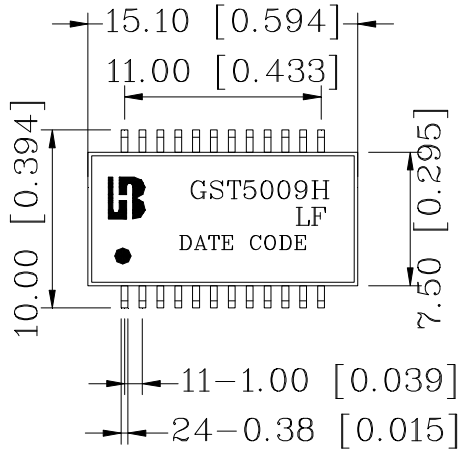
### Continue

Part Number	Insertion Loss (dB Max)	Return Loss (dB Min)@ Load 100Ω					DCMR (dB Min)		
		1-100MHz	1-30MHz	40MHz	50MHz	60-80MHz	100MHz	30MHz	60MHz
GST5009H LF	-1.0	-18	-14.4	-13.1	-12	-10	-40	-35	-30

## Schematic



**Mechanical**



Units: mm[Inches] Tolerances: xx.x0±0.25[0.010]  
 0.xx±0.05[0.002]