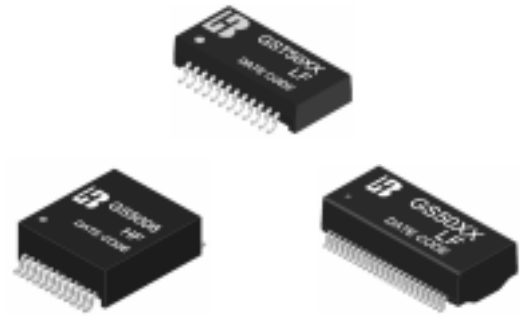


1000 BASE-T MAGNETICS MODULES

- Designed for long haul gigabit Ethernet 1000 BASE-T, full duplex applications.
- Supports 4 pairs of category 5 UTP cable.
- Cable interface for isolation and low common mode emissions.
- Compliant with IEEE 802.3ab standard for 1000 BASE-T.
- Comply with ROHS & Halogen Free requirements.
- Operating temperature range: 0 to +70 .
- Storage temperature range: -25 to +85 .



Electrical Specifications @ 25

Part Number	Return Loss (dB Min @ Load 100)					Cross talk (dB Min)			DCMR (dB Min)		
	1-30MHz	40MHz	50MHz	60-80MHz	100MHz	30MHz	60MHz	100MHz	30MHz	60MHz	100MHz
GS5007 HF	-18	-14.4	-13.1	-12	-10	-45	-40	-35	-43	-37	-33
GS5008 HF	-18	-14.4	-13.1	-12	-10	-45	-40	-35	-43	-37	-33
GS5008M ¹ HF	-18	-18	-16	-12	-10	-45	-40	-35	-43	-37	-33
GS5009 HF	-18	-14.4	-13.1	-12	-10	-45	-40	-35	-43	-37	-33
GST5007 LF	-18	-14.4	-13.1	-12	-10	-40	-35	-30	-30	-30	-30
GST5009 LF	-18	-14.4	-13.1	-12	-10	-45	-40	-35	-40	-35	-30
GST5009-1 LF	-18	-14.4	-13.1	-12	-11	-45	-40	-35	-40	-35	-32
GS5012 LF	-18	-14.4	-13.1	-12	-10	-45	-40	-35	-43	-37	-33
GS5012M ¹ LF	-18	-14.4	-13.1	-12	-10	-45	-40	-35	-43	-37	-33
GS5014 LF	-18	-14.4	-13.1	-12	-10	-40	-35	-30	-43	-37	-33

Continue

Part Number	Turns Ratio (±5%)		OCL(Uh Min) @100KHz/0.1V with 8mA Bias	C _{w/w} (Pf Max)	L.L (Mh Max)	Insertion Loss (dB Max) 1-100MHz	Mesh	HI-POT
	TX	RX						
GS5007 HF	1CT:1CT	1CT:1CT	-	-	-	-1.0	1000-A	1500
GS5008 HF	1CT:1	1CT:1	-	-	-	-1.0	1000-A	1500
GS5008M ¹ HF	1CT:1	1CT:1	-	-	-	-1.0	1000-A	1500
GS5009 HF	1CT:1CT	1CT:1CT	-	-	-	-1.0	1000-A	1500
GST5007 LF	1CT:1CT	1CT:1CT	-	-	-	-1.0	1000-B	1500
GST5009 LF	1CT:1CT	1CT:1CT	-	-	-	-1.0	1000-B	1500
GST5009-1 LF	1CT:1CT	1CT:1CT	-	-	-	-1.0	1000-B	1500
GS5012 LF	1CT:1	1CT:1	-	-	-	-1.0	1000-C	1500
GS5012MLF	1CT:1	1CT:1	-	-	-	-1.0	1000-C	1500
GS5014 LF	1CT:1CT	1CT:1CT	-	-	-	-1.0	1000-C	1500

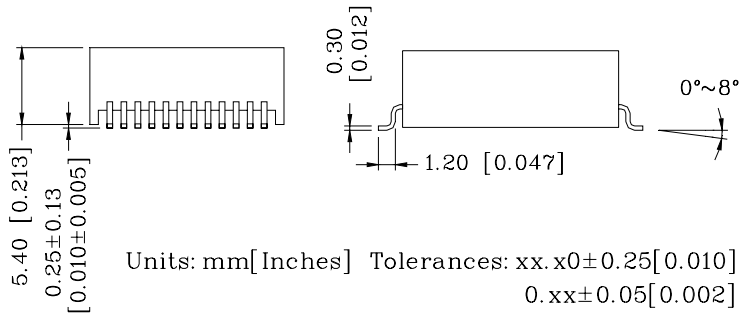
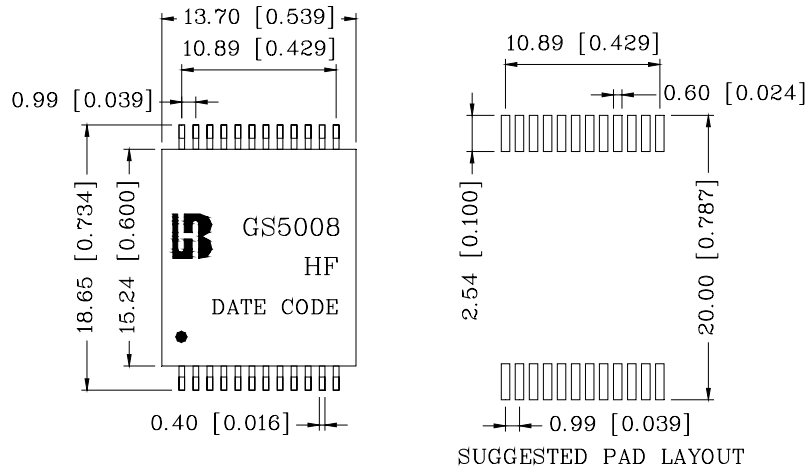
NOTE:

1. Operating temperature range: -40 to +85

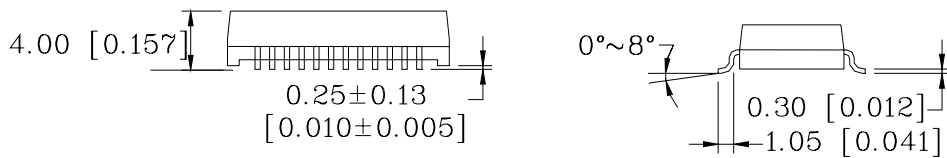
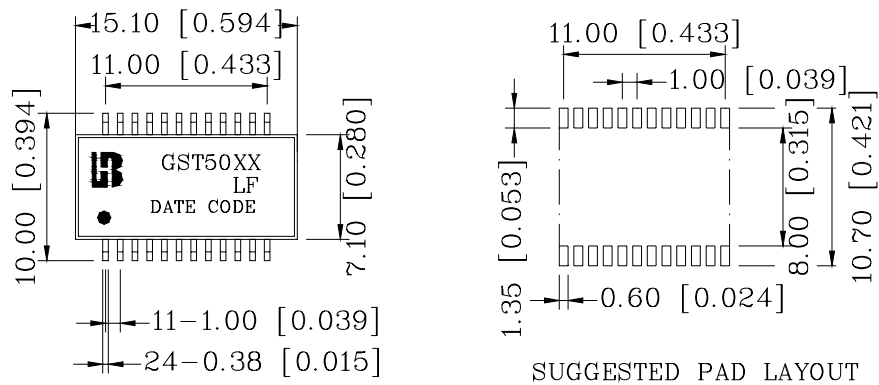
For customized parts or more detailed information, please log on www.bothhandusa.com or write to sales@bothhandusa.com

Mechanicals

1000-A

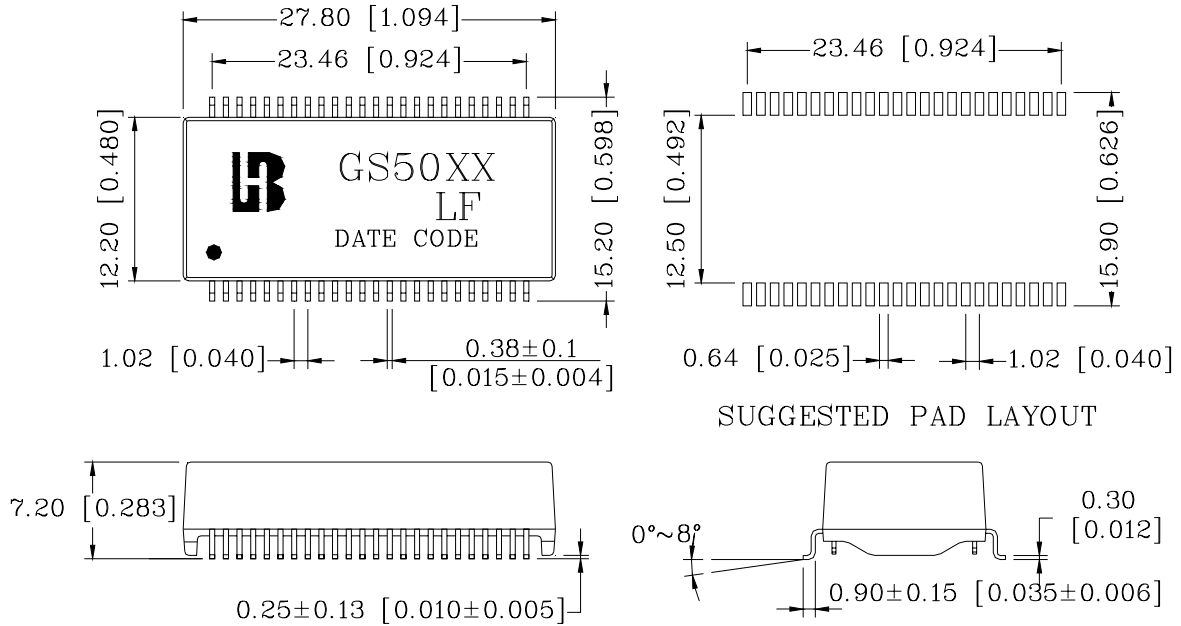


1000-B



Units: mm[Inches] Tolerances: xx.x0±0.25[0.010]
0.xx±0.05[0.002]

1000-C



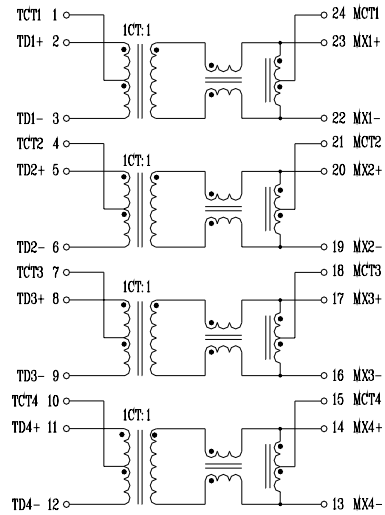
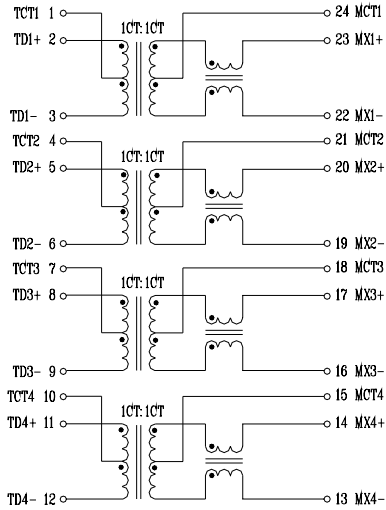
Units: mm[Inches] Tolerance: xx.x0±0.25[0.010]
0.xx±0.05[0.002]

Specification	Packing Manner	Q'ty per Tube/Reel	Q'ty/ Inner box	Q'ty/ Carton
1000-A	REEL	500	500	2500
1000-B	REEL	780	1560	7800
1000-C	REEL	350	350	1750

Schematics

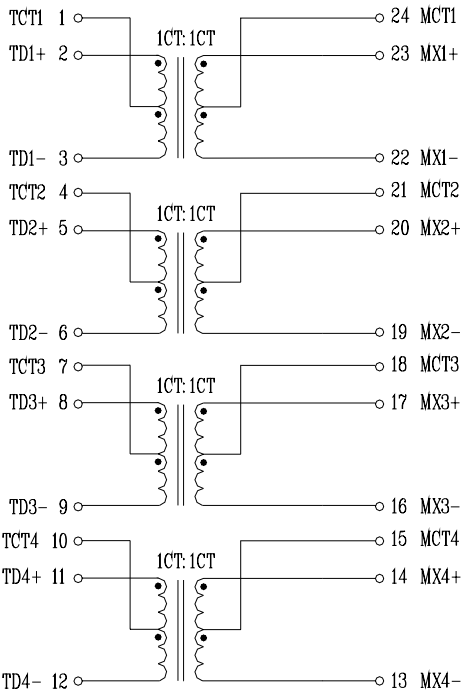
GS5009 HF / GST5009 LF / GS5009-1LF/

GS5008 HF / GS5008M HF

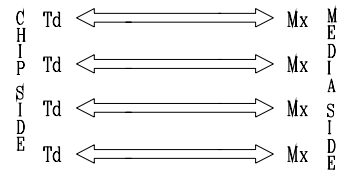


GS5007 HF / GST5007 LF

GS5009 HF / GST5009 LF / GS5009-1 LF

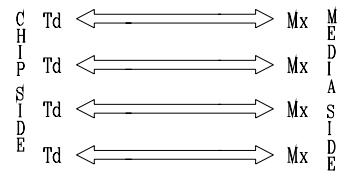


LEGEND



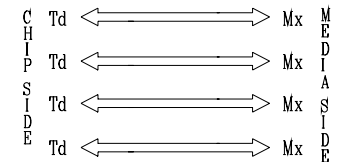
GS5008 LF

LEGEND

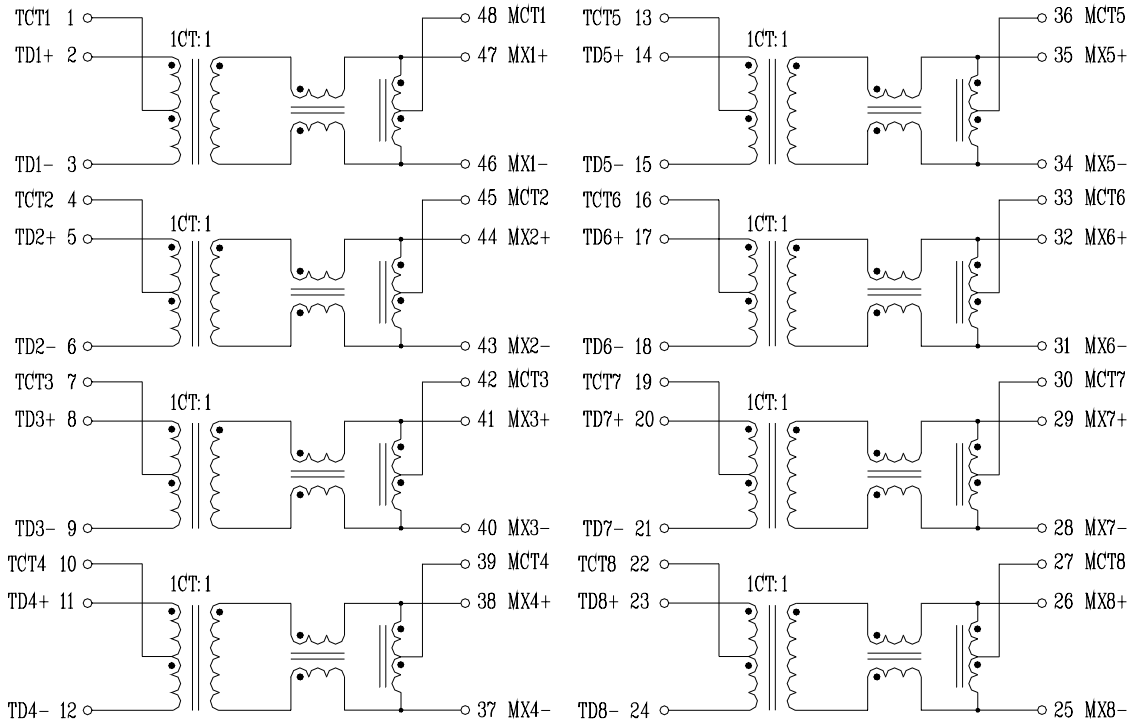


GS5007 LF / GST5007 LF

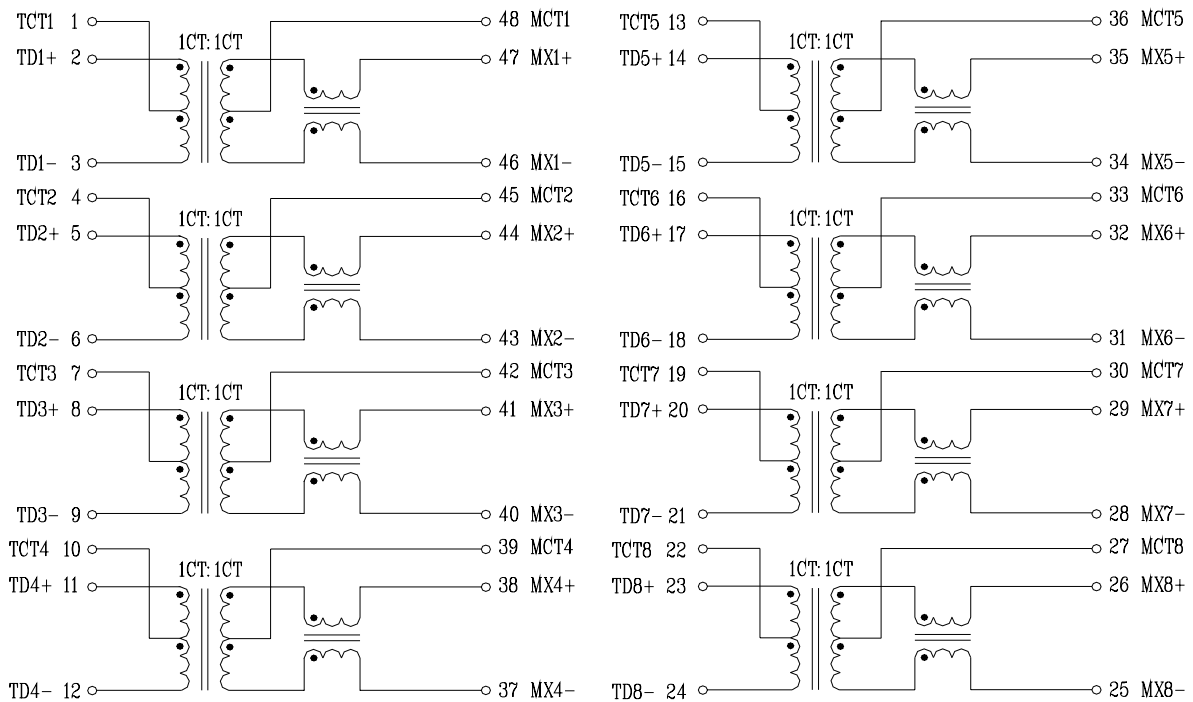
LEGEND



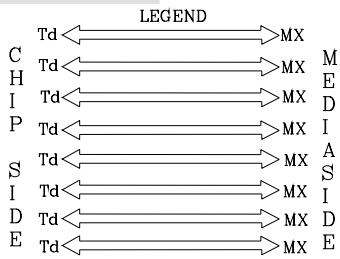
GS5012 LF / GS5012M LF



GS5014 LF



GS5012 LF /GS5012M LF



GS5014 LF

