

With 100/1000/Base-T Magnetics Module

Meets IEEE 802.3 Specification

ROHS peak reflow temperature rating 255 °C.

100/1000 Base-T, Surface Mount Type, Open Header.

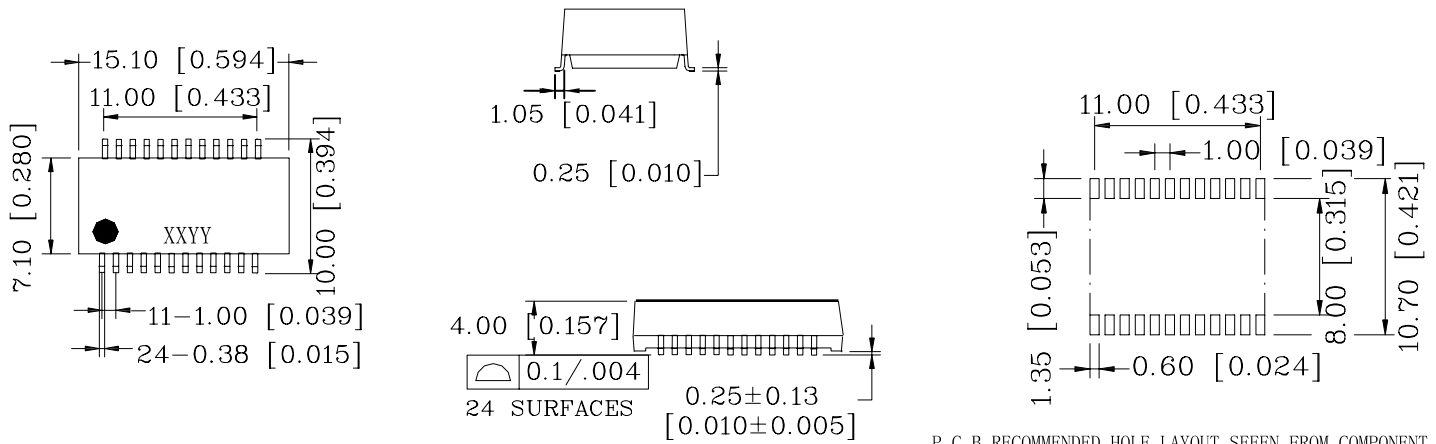
Operating temperature range: -40°C to +85°C

Storage temperature range: -40°C to + 85 °C

Electrical Specifications 25°C.

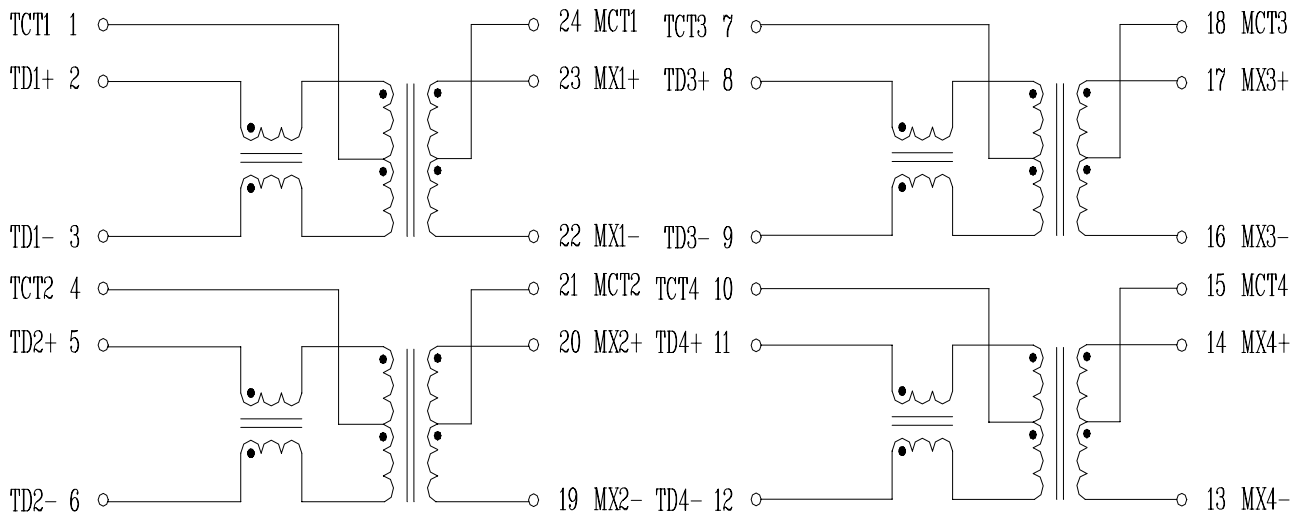
OCL(uH Min) 100KHz 0.2V	Turns Ratio	Insertion Loss (dB Max)	Return Loss (dB Min)			Cross talk (dB Min)		CMRR (dB Min)	HI-POT (Vrms)
With 8mA DC Bias	TX=1CT:1CT	0.5-100MHz	0.5-30MHz	30.1-60MHz	60.1-80MHz	0.5-40MHz	40.1-100MHz	0.5-100MHz	0.5-100MHz
350		-1.1	-18	-18+20 * log(f/30)	-12	-35	-33+20 * log(f/50)	-30	1500

Mechanical:



P. C. B RECOMMENDED HOLE LAYOUT SEEN FROM COMPONENT SIDE.
 ALL CENTERLINE DIMENSIONS ARE BASIC

Schematic:



P/N: SGST5009BM	Units: mm	Unless otherwise stated otherwise tolerances as follows: .XXX ±0.10 .XX ±0.25 .X ± 0.35 ANG ±3°	Rev: A	Draw : Kal	Date:2010/05/08
	Scale: None		Page: 1/1	Checked : Ansom	Date:2010/05/08
http://www.bothhandUSA.com			462 Boston St, Topsfield, MA 01983	Approved: Ansom	Date:2010/05/08