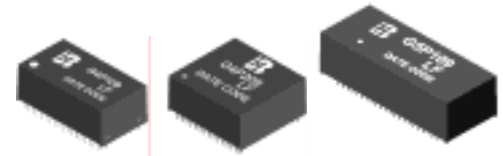


1000 BASE –T QUAD PORT MAGNETICS MODULES

- Designed for Ethernet 1000 BASE-T, full Quad port applications.
- Supports 16 pairs of category 5 UTP cable.
- Cable interface for isolation and low common mode emissions.
- Compliant with IEEE 802.3ab standard for 1000 BASE-T.
- Compliance with ROHS requirements.
- Operating temperature range: 0 to +70 .
- Storage temperature range: -25 to +85 .



Electrical Specifications @ 25

Part Number	Turns Ratio (±5%)		Cross talk Attenuation (dB Min)			MECH	HI-POT (Vrms)
	TX	RX	30MHz	60MHz	100MHz		
G4P109 LF	1CT:1CT	1CT:1CT	-40	-35	-30	GP-A	1500
G4P209 LF	1CT:1CT	1CT:1CT	-40	-35	-30	GP-B	1500
G5P109 LF	1CT:1CT	1CT:1CT	-40	-35	-30	GP-C	1500
GP5409 LF	1CT:1CT	1CT:1CT	-40	-35	-30	GP-B	1500
GOP109 LF	1CT:1CT	1CT:1CT	-40	-35	-30	GP-D	1500
G4P009 LF	1CT:1CT	1CT:1CT	-40	-35	-30	GP-E	1500
GP5419 LF	1CT:1CT	1CT:1CT	-40	-35	-30	GP-F	1500
GP5419NY LF	1CT:1CT	1CT:1CT	-40	-35	-30	GP-F	1500
GP5419R LF	1CT:1CT	1CT:1CT	-40	-35	-30	GP-F	1500
GP5429 LF	1CT:1CT	1CT:1CT	-40	-35	-30	GP-G	1500

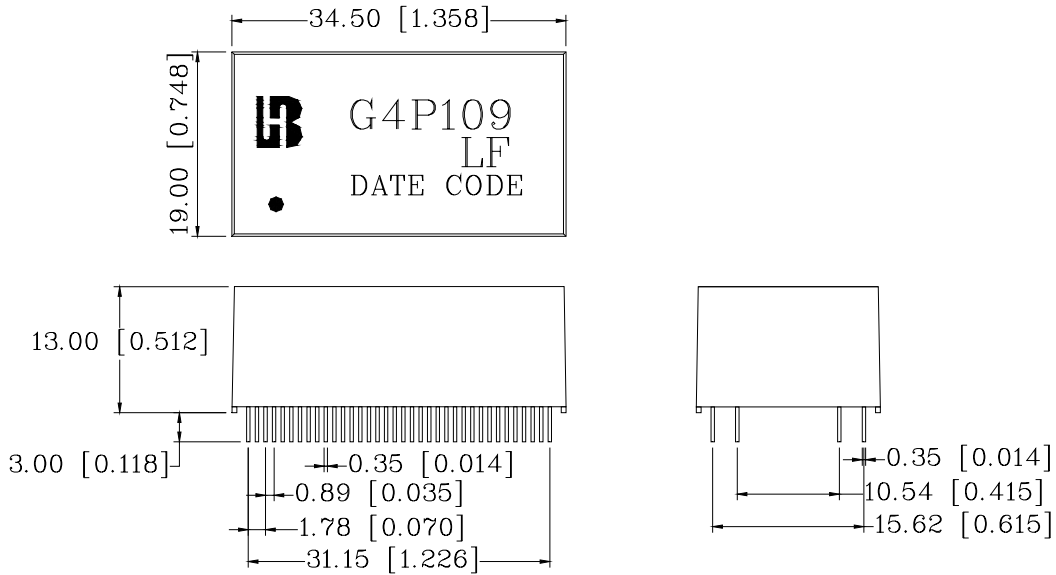
Continue

Part Number	Insertion Loss (dB Max)	Return Loss (dB Min)@ Load 100					DCMR (dB Min)		
		1-100MHz	1-30MHz	40MHz	50MHz	60-80MHz	100MHz	1-30MHz	30-60MHz
G4P109 LF	-1.0	-18	-14.4	-13.1	-12	-10	-40	-35	-30
G4P209 LF	-1.0	-18	-14.4	-13.1	-12	-10	-40	-35	-30
G5P109 LF	-1.0	-18	-14.4	-13.1	-12	-10	-40	-35	-30
GP5409 LF	-1.0	-18	-14.4	-13.1	-12	-10	-40	-35	-30
GOP109 LF	-1.0	-18	-14.4	-13.1	-12	-10	-40	-35	-30
G4P009 LF	-1.0	-18	-14.4	-13.1	-12	-10	-40	-35	-30
GP5419 LF	-1.0	-18	-14.4	-13.1	-12	-10	30MHz	60MHz	100MHz
							-40	-35	-30
GP5419NY LF	-1.0	-18	-14.4	-13.1	-12	-10	-40	-35	-30
GP5419R LF	-1.0	-18	-14.4	-13.1	-12	-10	-40	-35	-30
GP5429 LF	-1.0	-18	-14.4	-13.1	-12	-10	-40	-35	-30

For customized parts or more detailed information, please log on www.bothhand.com or write to sales@bothhand.com

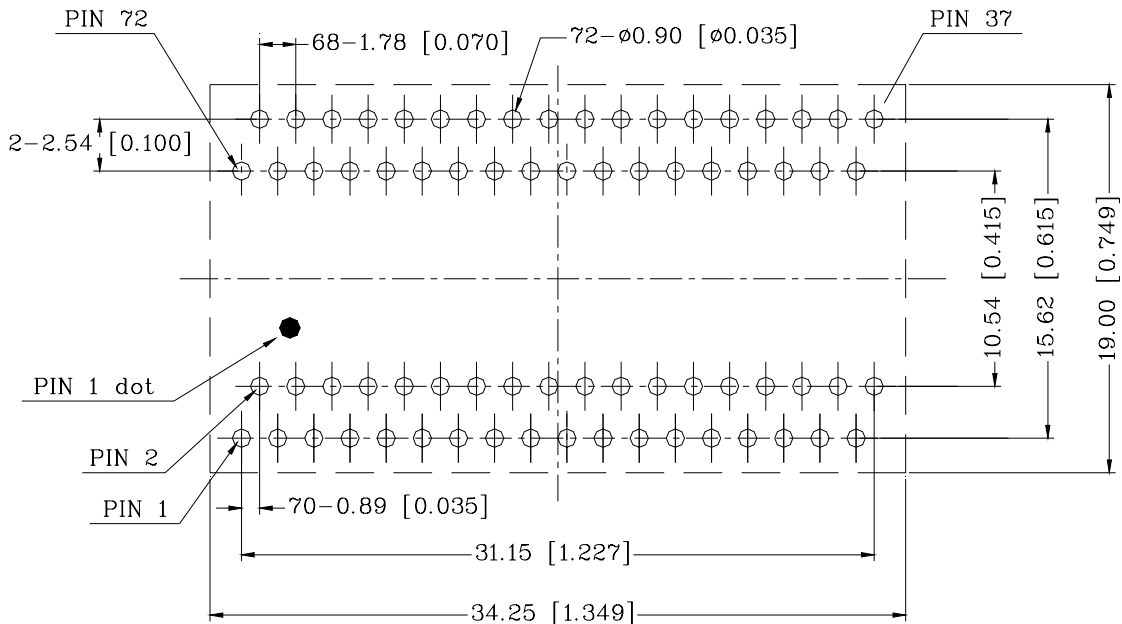
Mechanical

GP-A



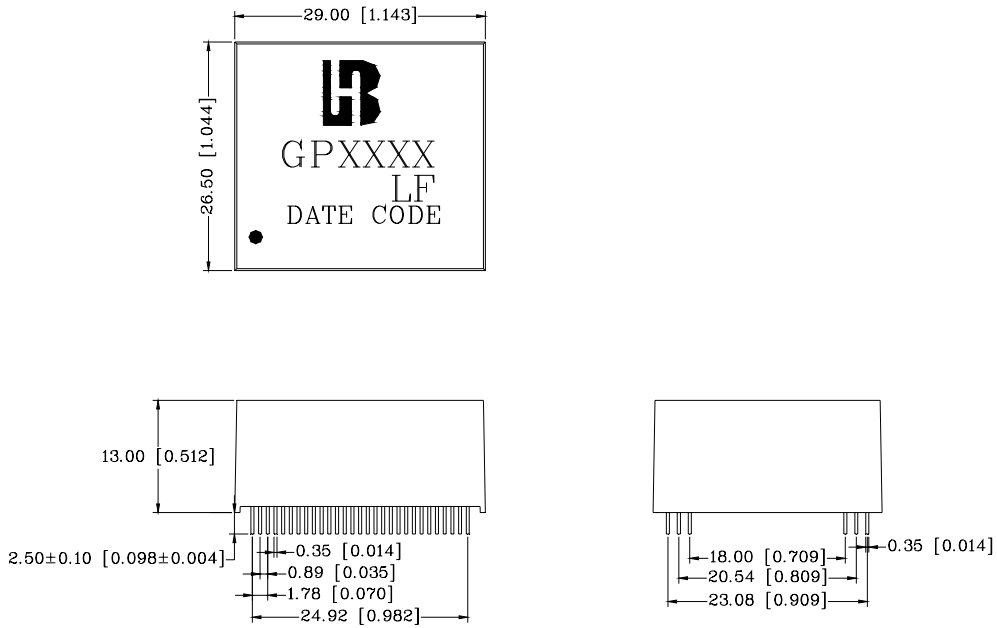
Units: mm[Inches] Tolerances: xx.x0±0.25[0.010]
0.xx±0.05[0.002]

PCB Layout mounting Hole (Top View)



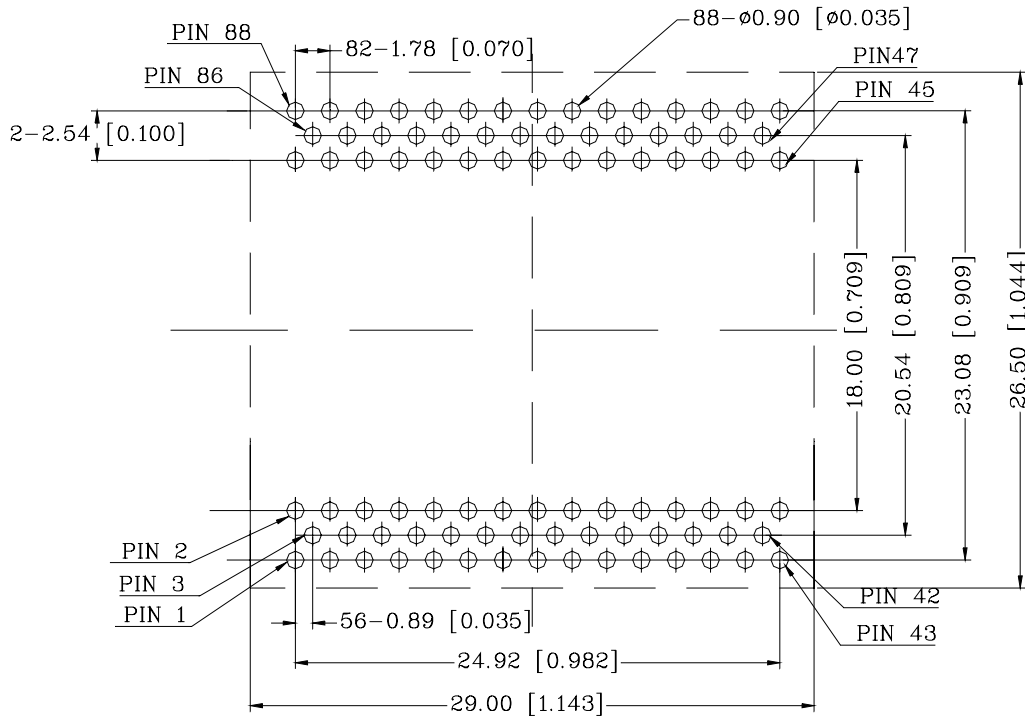
Units: mm[Inches] Tolerances: xx.x0±0.25[0.010]
0.xx±0.05[0.002]

GP-B



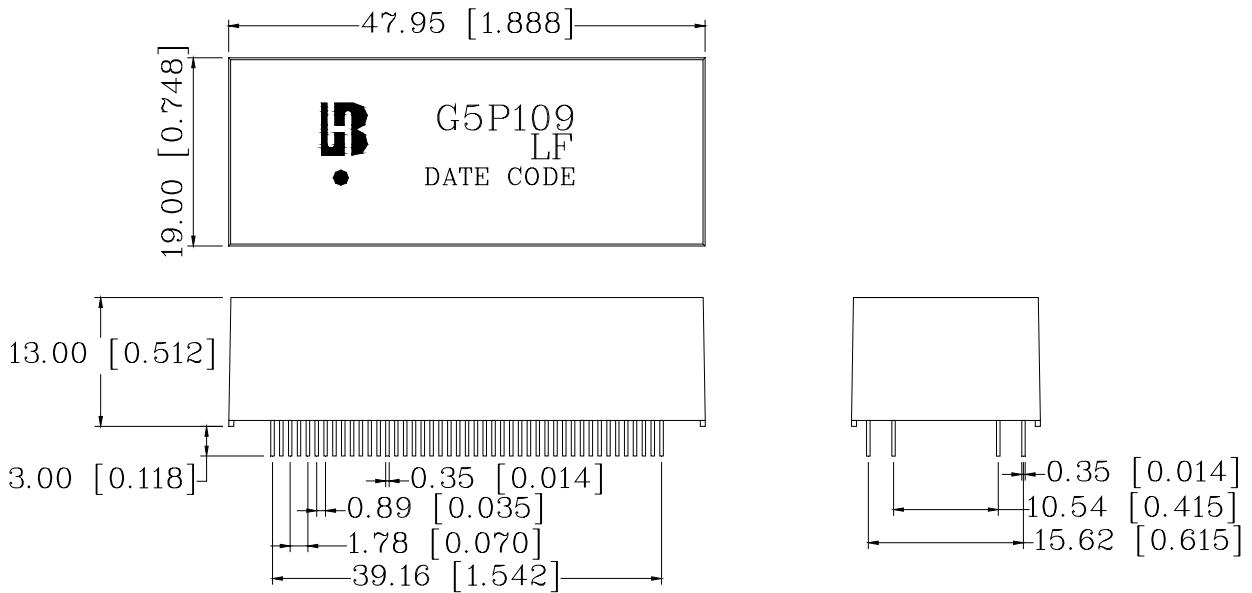
Units: mm[Inches] Tolerance: xx.x0±0.25[0.010]
0.xx±0.05[0.002]

PCB Layout mounting Hole (Top View)



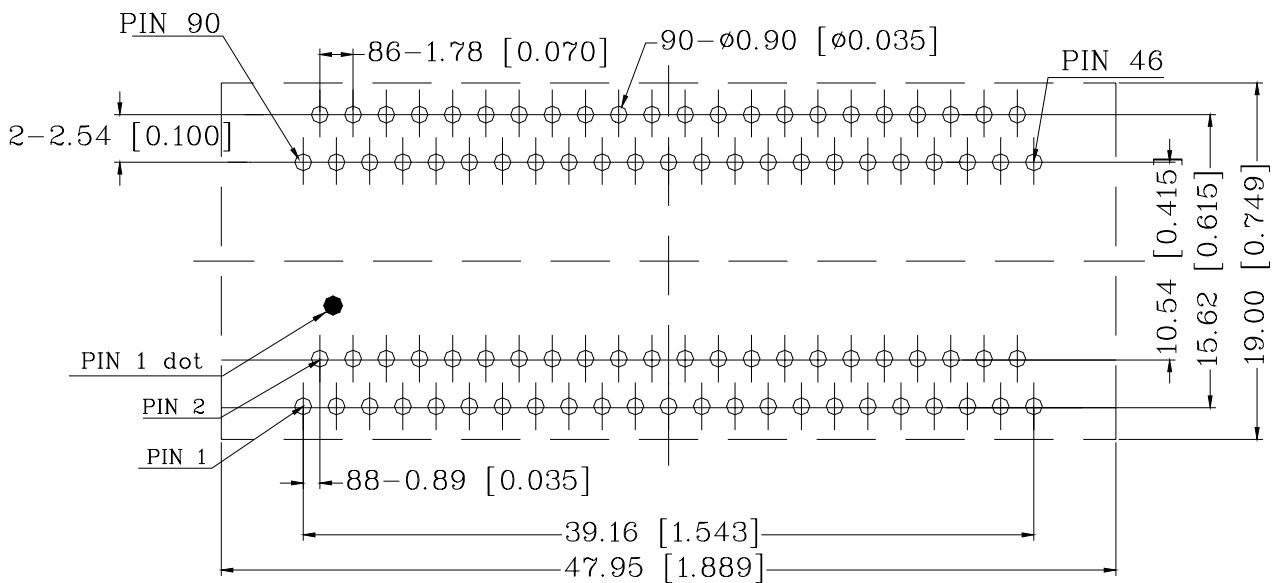
Units: mm[Inches] Tolerance: xx.x0±0.25[0.010]
0.xx±0.05[0.002]

GP-C



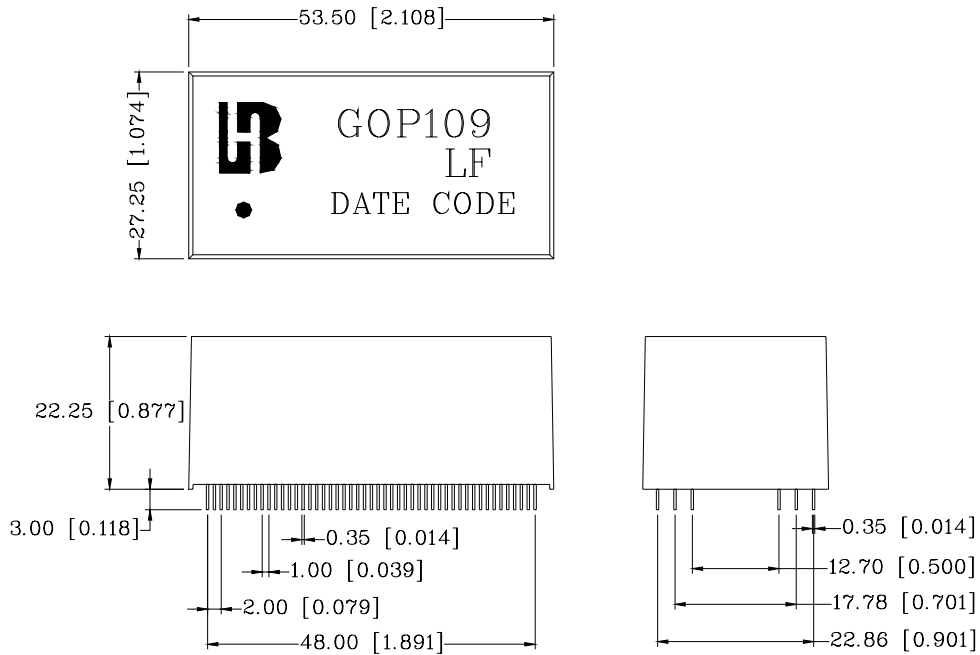
Units: mm[Inches] Tolerances: xx.x0±0.25[0.010]
0.xx±0.05[0.002]

PCB Layout mounting Hole (Top View)



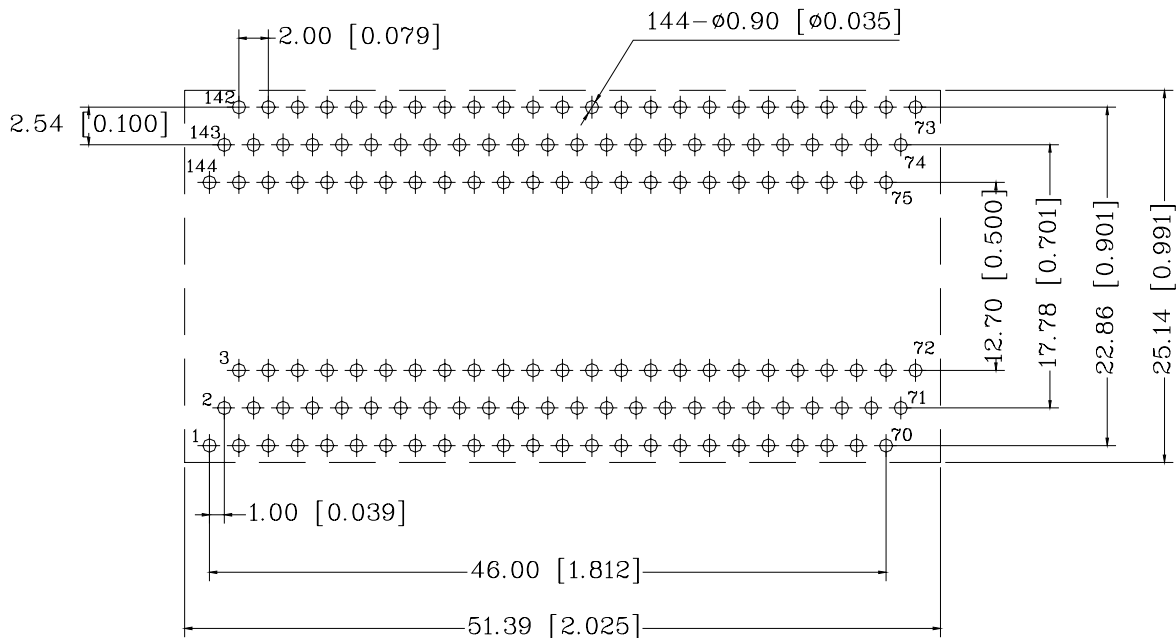
Units: mm[Inches] Tolerances: xx.x0±0.25[0.010]
0.xx±0.05[0.002]

GP-D



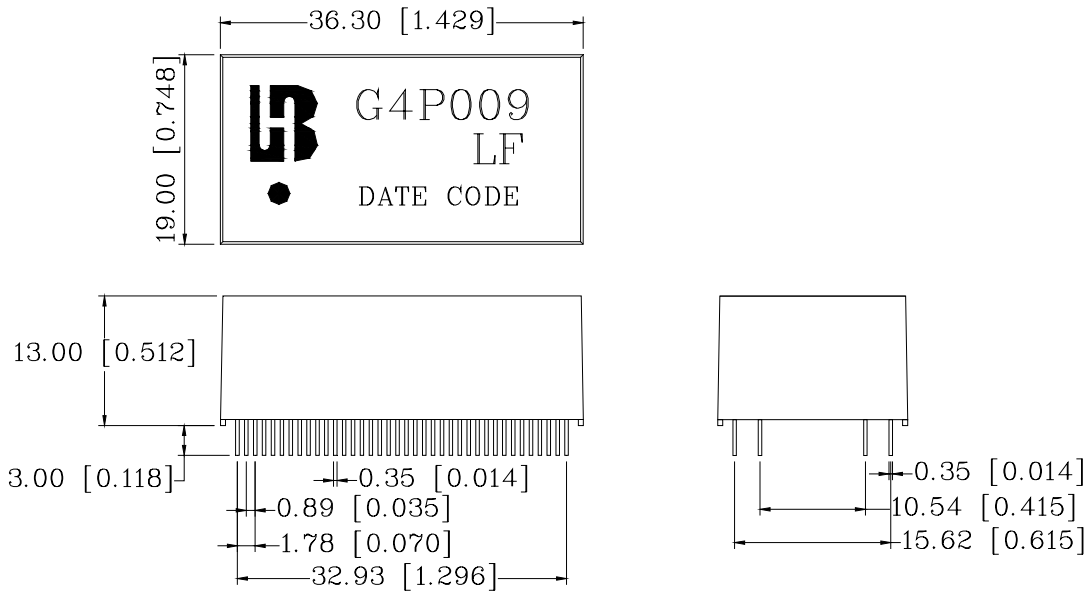
Units: mm[Inches] Tolerances: xx.x0±0.25[0.010]
0.xx±0.05[0.002]

PCB Layout mounting Hole (Top View)



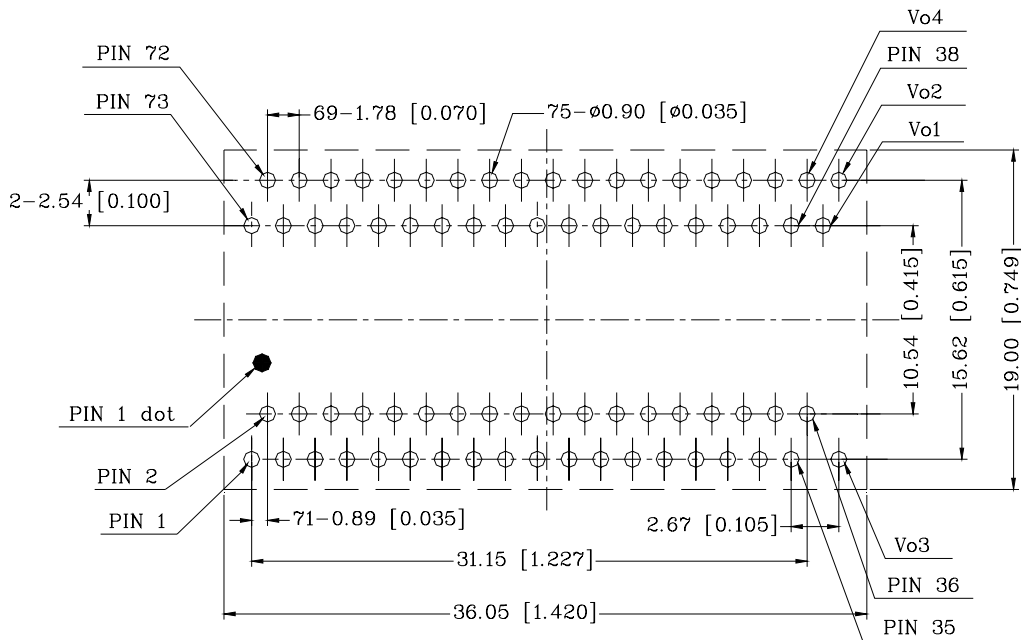
Units: mm[Inches] Tolerances: xx.x0±0.25[0.010]
0.xx±0.05[0.002]

GP-E



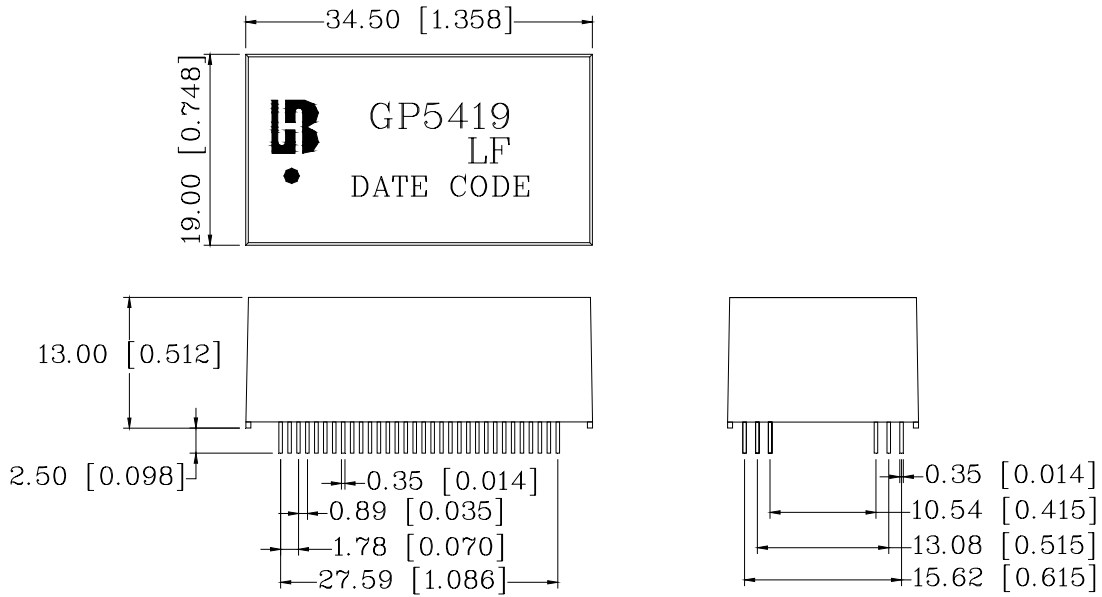
Units: mm[Inches] Tolerance: xx.x0±0.25[0.010]
0.xx±0.05[0.002]

PCB Layout mounting Hole (Top View)



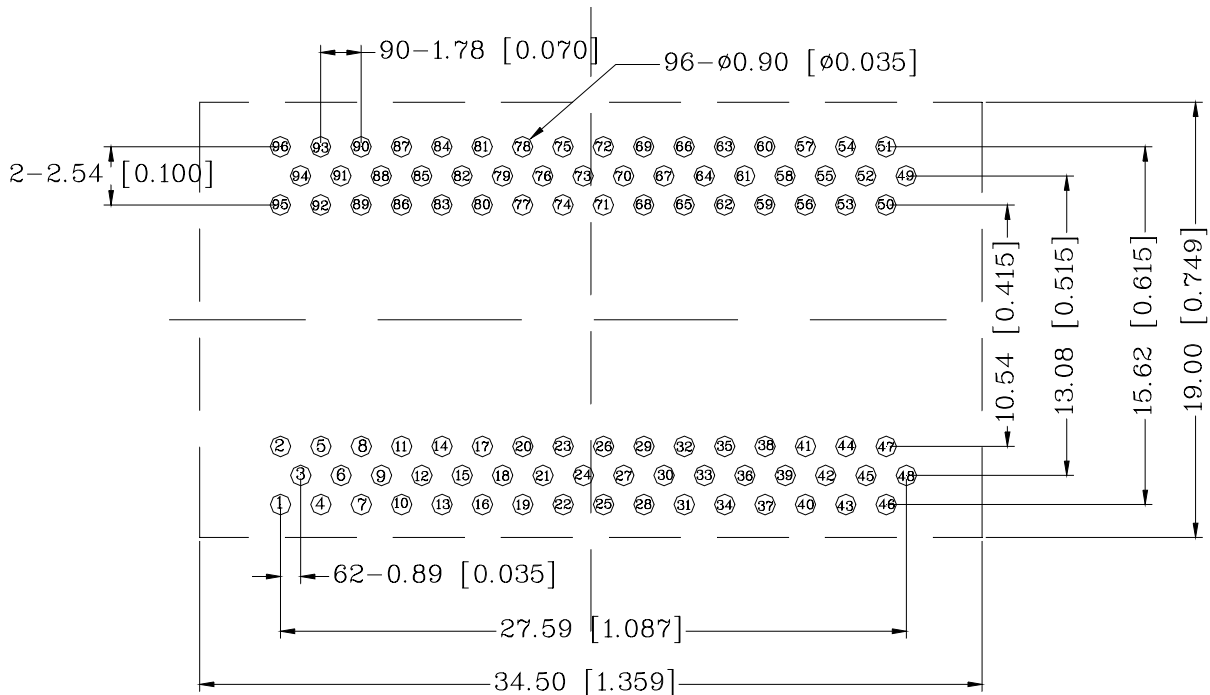
Units: mm[Inches] Tolerance: xx.x0±0.25[0.010]
0.xx±0.05[0.002]

GP-F



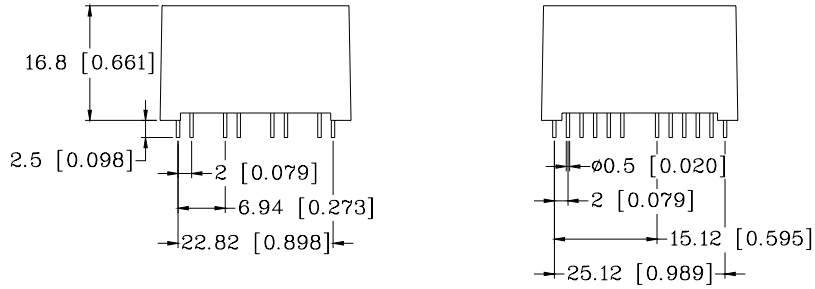
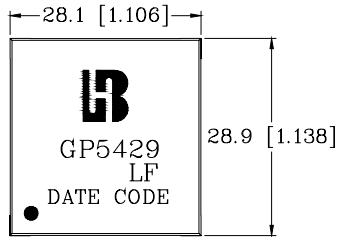
Units: mm[Inches] Tolerance: xx.x0±0.25[0.010]
0.xx±0.05[0.002]

PCB Layout mounting Hole (Top View)



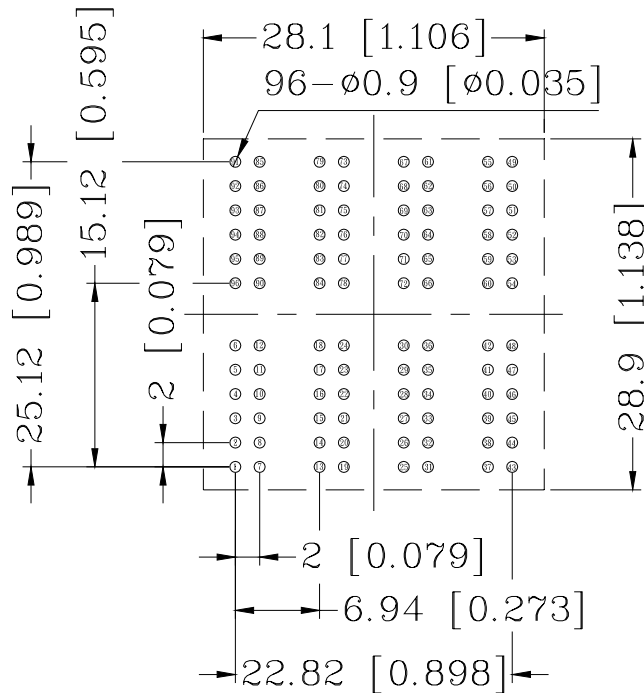
Units: mm[Inches] Tolerances: xx.x0±0.25[0.010]
0.xx±0.05[0.002]

GP-G



Units: mm[Inches] Tolerance: xx.x0±0.25[0.010]
0.xx±0.05[0.002]

PCB Layout mounting Hole (Top View)

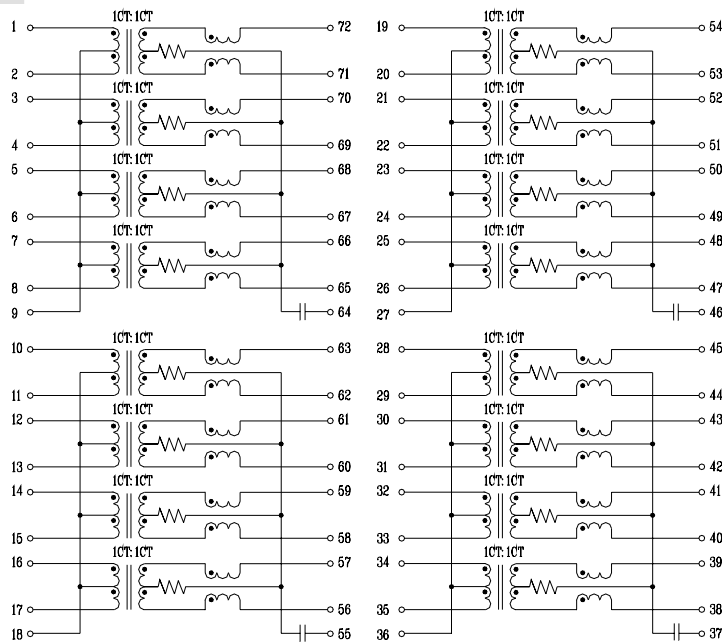


Units: mm[Inches] Tolerance: xx.x0±0.25[0.010]
0.xx±0.05[0.002]

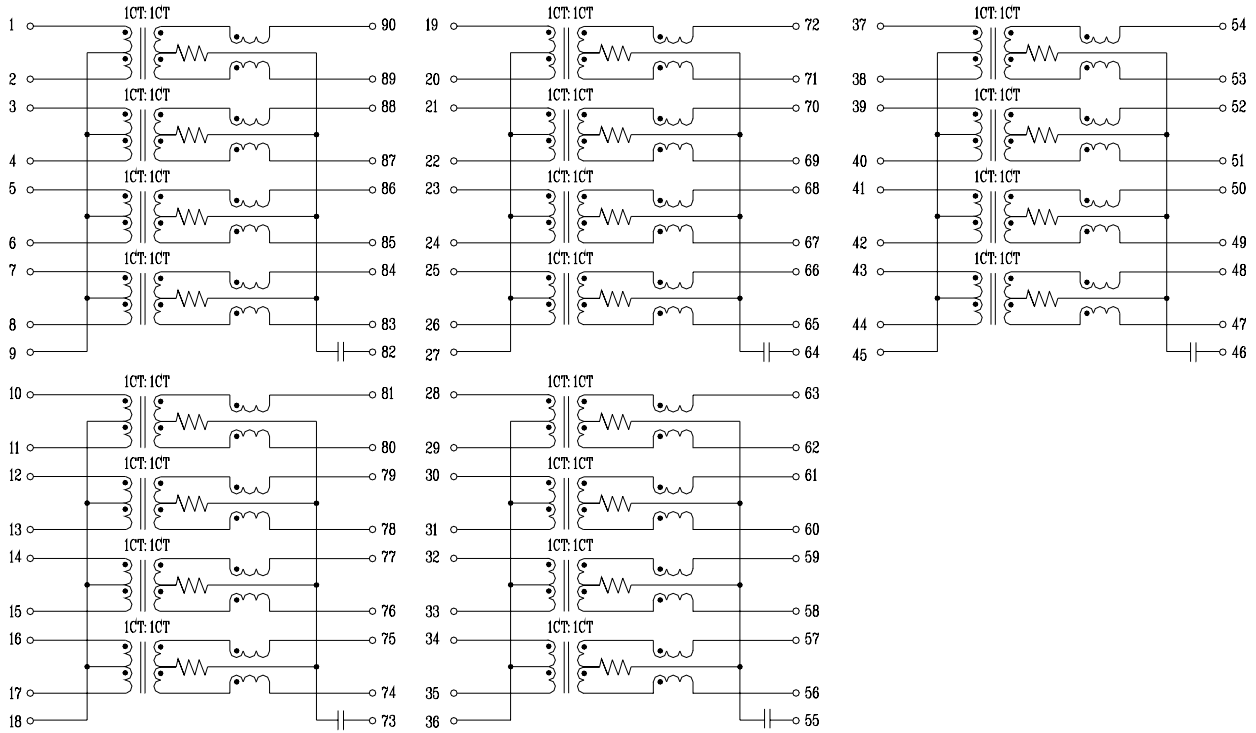
Specifcation	Packing Manner	Q'ty per Tube/Reel	Q'ty/ Inner box	Q'ty/Carton
GP-A	TUBE	14	350	700
GP-B	TUBE	17	340	680
GP-C	TUBE	10	250	500
GP-D	TUBE	9	144	288
GP-E	TUBE	13	325	650
GP-F	TUBE	14	350	700
GP-G	TUBE	17	240	480

Schematics

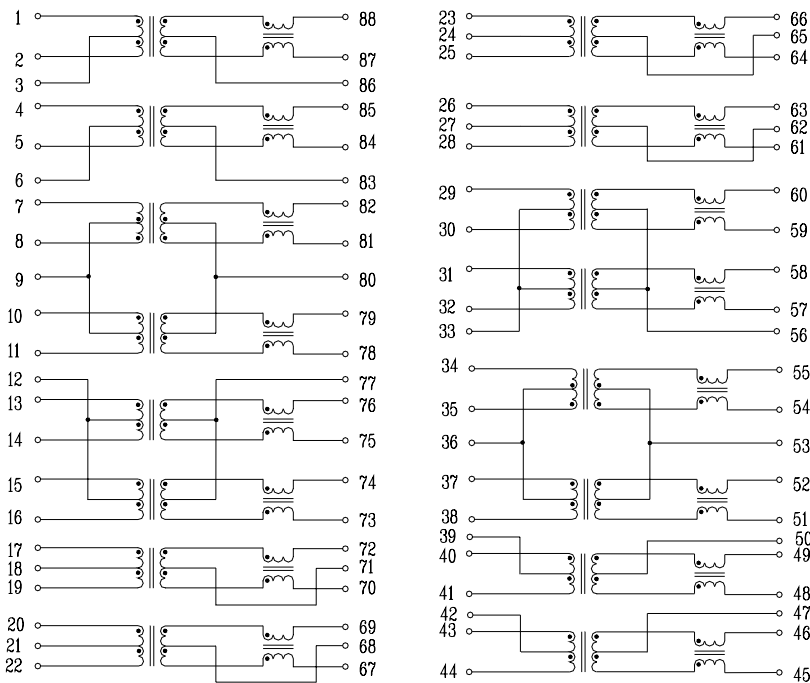
G4P109 LF / G4P209 LF



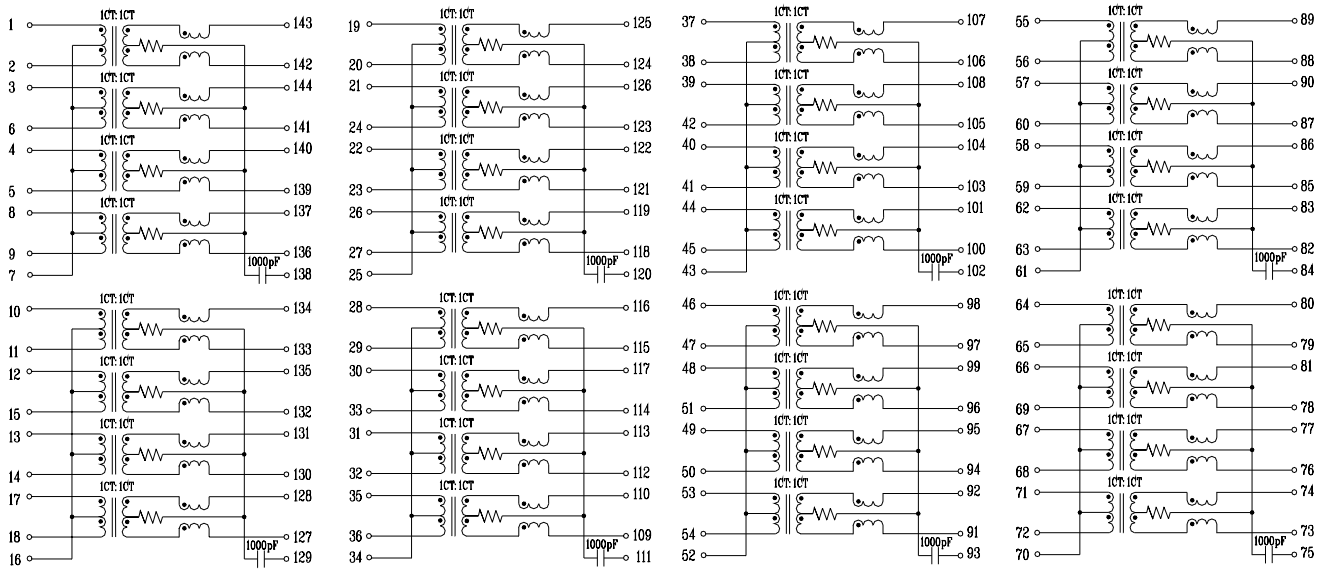
G5P109 LF



GP5409 LF

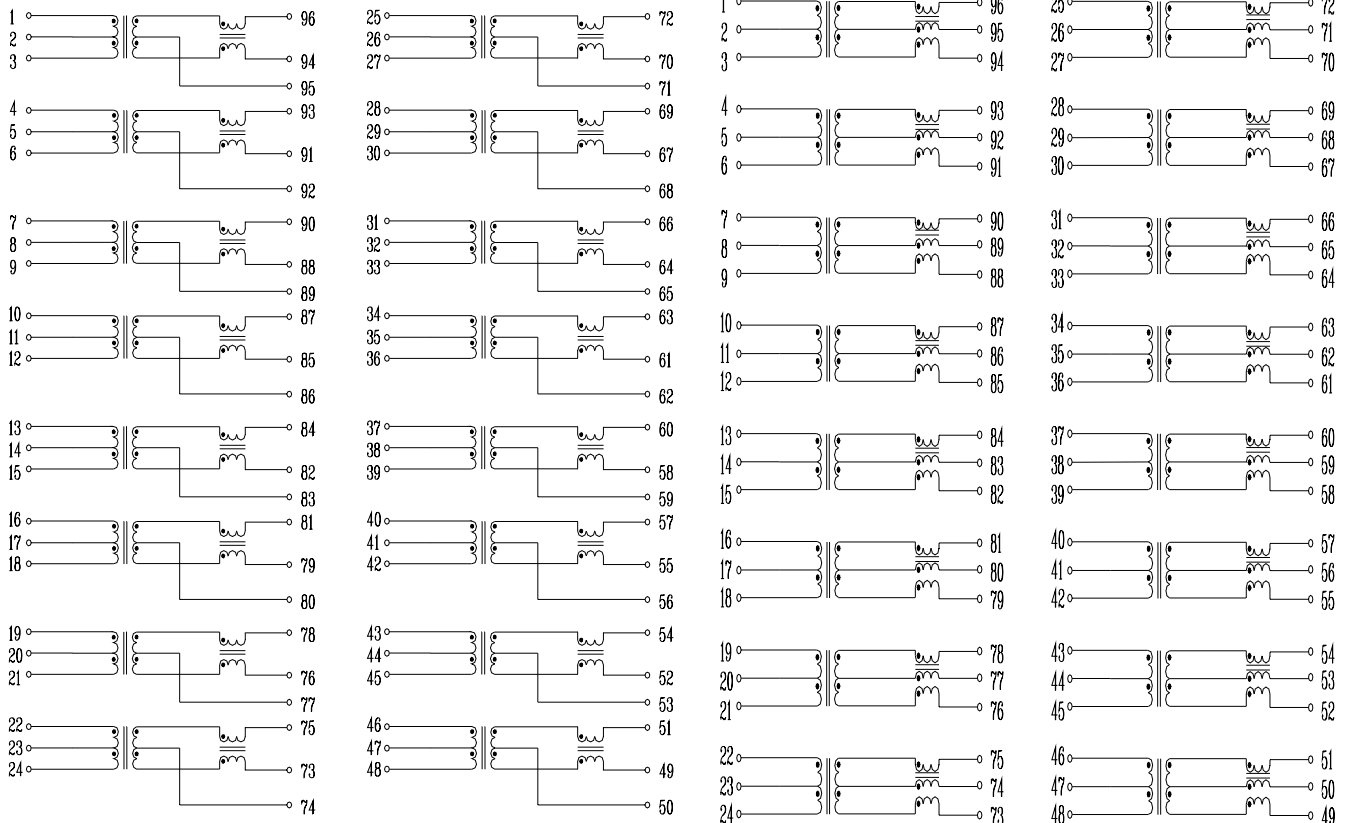


GOP109 LF

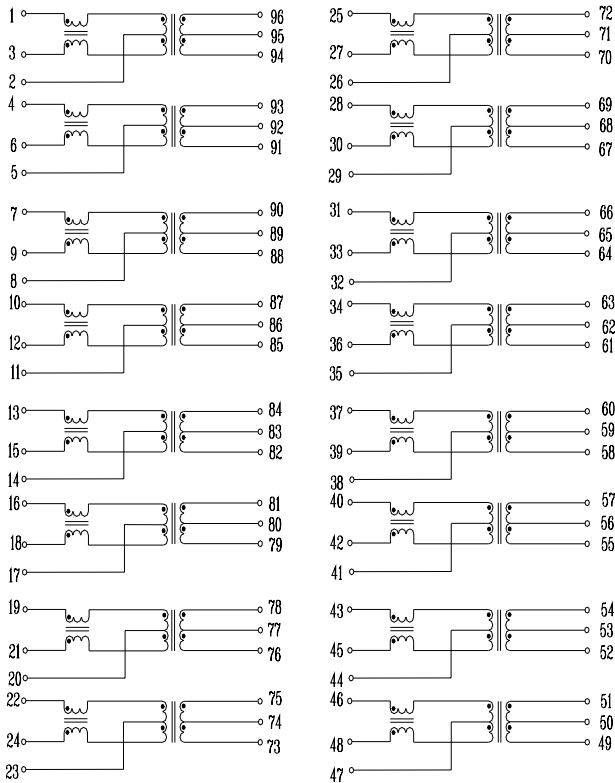


GP5419 LF

GP5419NY LF



GP5419R LF



GP5429 LF

