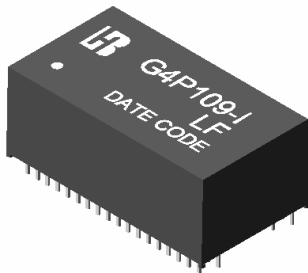


**1000 BASE -T QUAD PORT MAGNETICS MODULES**

**P/N: G4P109-I LF DATA SHEET**

**Feature**

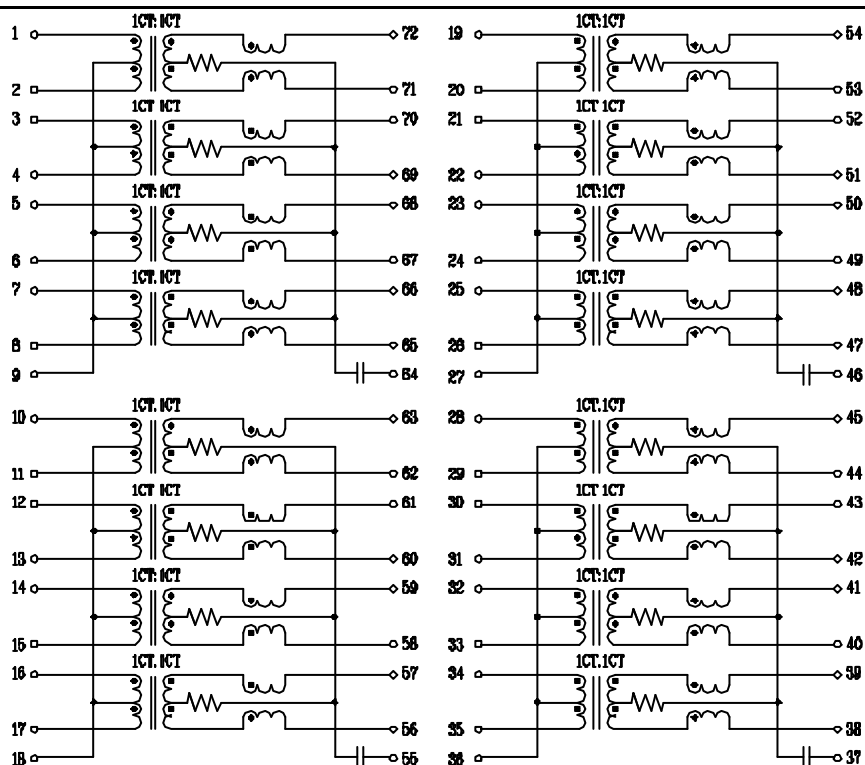


- Designed for Ethernet 1000 BASE-T, full Quad port applications.
- Supports 16 pairs of category 5 UTP cable.
- Cable interface for isolation and low common mode emissions.
- Compliant with IEEE 802.3ab standard for 1000 BASE-T.
- Comply with RoHS requirements-whole part No Cd, No Hg, No Cr6+, No PBB and PBDE and No Pb on external pins.
- Operating temperature range: 0 to +70 .
- Storage temperature range: -25 to +105 .

Electrical Specifications @ 25°C							
Part Number	Turns Ratio (±5%)		OCL (uH Min) @100KHz/0.1V with 8mA DC Bias	Cross talk Attenuation (dB Min)			HI-POT (Vrms)
	TX	RX		30MHz	60MHz	100MHz	
G4P109-I LF	1CT:1CT	1CT:1CT	350	-40	-35	-30	1500

Continue									
Part Number	Insertion Loss (dB Max)	Return Loss (dB Min)@ Load 100						DCMR (dB Min)	
		1-100MHz	1-30MHz	40MHz	50MHz	60-80MHz	100MHz	30MHz	60MHz
G4P109-I LF	-0.8	-18	-14.5	14	-13.5	-12.5	-40	-35	-30

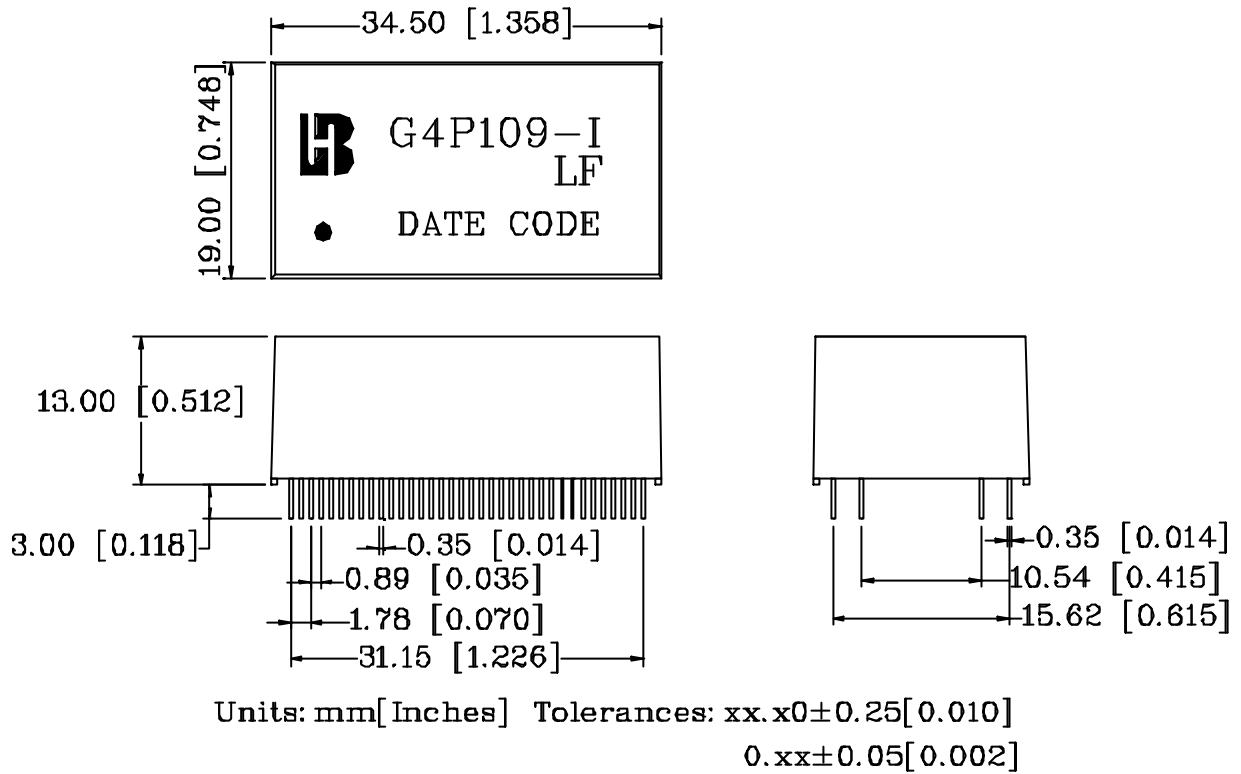
**Schematic**



1000 BASE -T QUAD PORT MAGNETICS MODULES

P/N: G4P109-I LF DATA SHEET

Mechanical



PCB Layout mounting Hole ( Top View)

