

- Designed for Ethernet 1000 BASE-T, full Quad port applications.
- Supports 16 pairs of category 5 UTP cable.
- Cable interface for isolation and low common mode emissions.
- Compliant with IEEE 802.3ab standard for 1000 BASE-T.
- Compliance with ROHS requirements.
- Operating temperature range: 0 to +70 .
- Storage temperature range: -10 to +85 .



Electrical Specifications @ 25

Part Number	Turns Ratio (±5%)		Cross talk Attenuation (dB Min)			OCL (uH Min) @100KHz/0.1V with 8mA DC Bias	HI-POT (Vrms)
	TX	RX	30MHz	60MHz	100MHz		
G4PS109N LF	1CT:1CT	1CT:1CT	-40	-35	-30	350	1500
G4PS109RN LF	1CT:1CT	1CT:1CT	-40	-35	-30	350	1500
G4PS108N LF	1CT:1CT	1CT:1CT	-40	-35	-30	350	1500
G4PS106N LF	1CT:1CT	1CT:1CT	-40	-35	-30	350	1500

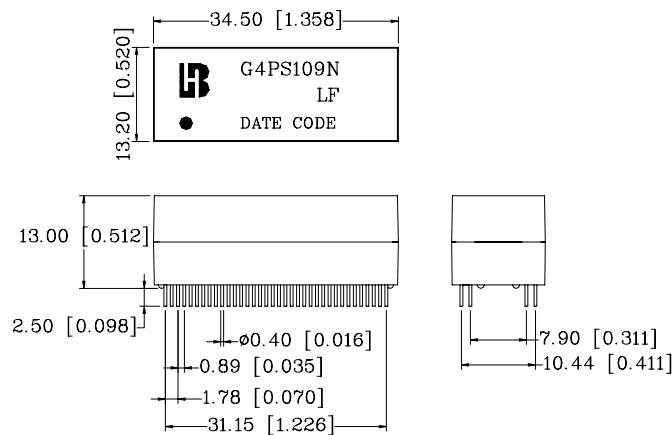
Continue

Part Number	Insertion Loss (dB Max)	Return Loss (dB Min)@ Load 100					CMR (dB Min)		
		1-100MHz	1-30MHz	40MHz	50MHz	60-80MHz	100MHz	30MHz	60MHz
G4PS109N LF	-1.0	-18	-14.4	-13.1	-12	-10	-40	-35	-30
G4PS109RN LF	-1.0	-18	-14.4	-13.1	-12	-10	-40	-35	-30
G4PS108N LF	-1.0	-18	-14.4	-13.1	-12	-10	-40	-35	-30
G4PS106N LF	-1.0	-18	-14.4	-13.1	-12	-10	-40	-35	-30

For customized parts or more detailed information, please log on www.bothhandusa.com or write to sales@bothhandusa.com

Mechanical

G4PSXXXX LF

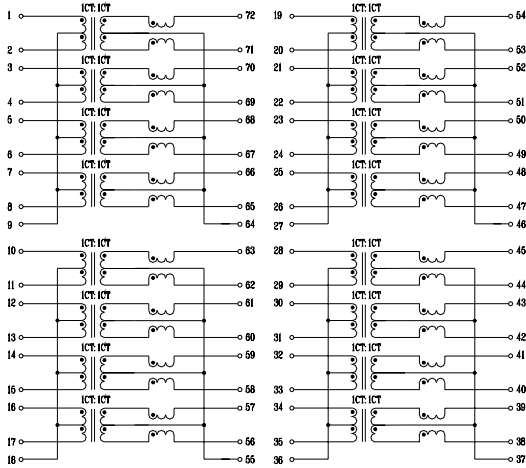


Units: mm [Inches] Tolerances: xx.x0±0.25 [0.010]
 0.xx±0.05 [0.002]

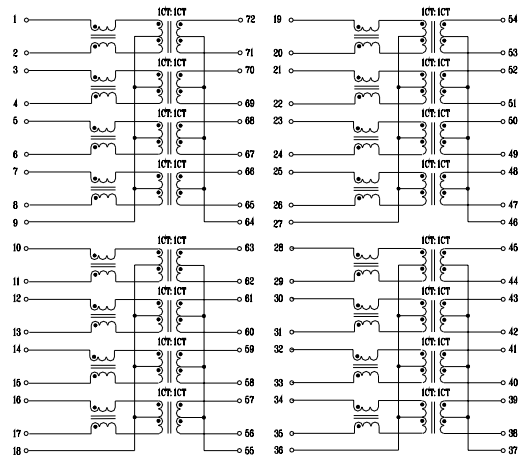
1000 BASE -T QUAD PORT MAGNETICS MODULES

Specification	Packing Manner	Q'ty per Tube/Reel	Q'ty/ Inner box	Q'ty/ Carton
G4PSXXXX LF	TUBE	14	490	980

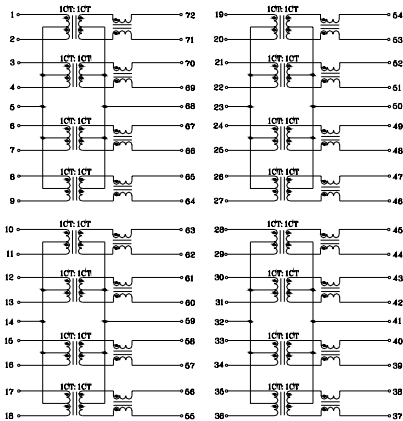
G4PS109N LF



G4PS109RN LF



G4PS108N LF



G4PS106N LF

