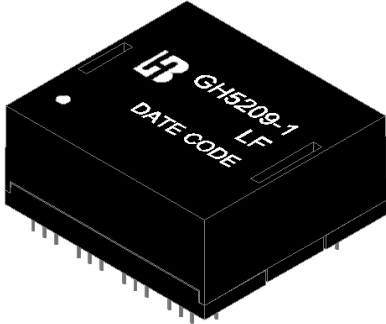


**1000 BASE –T QUAD PORT  
MAGNETICS MODULES  
P/N: GH5209-1 LF DATA SHEET**



**Feature**



- Designed for long haul gigabit Ethernet 1000 BASE-T, full duplex applications.
- Supports 16 pairs of category 5 UTP cable.
- Cable interface for isolation and low common mode emissions.
- Complying with IEEE 802.3ab standard for 1000 BASE-T.
- Complying with ROHS requirements.
- Operating temperature range: 0°C to +70°C.
- Storage temperature range: -25°C to +85°C.

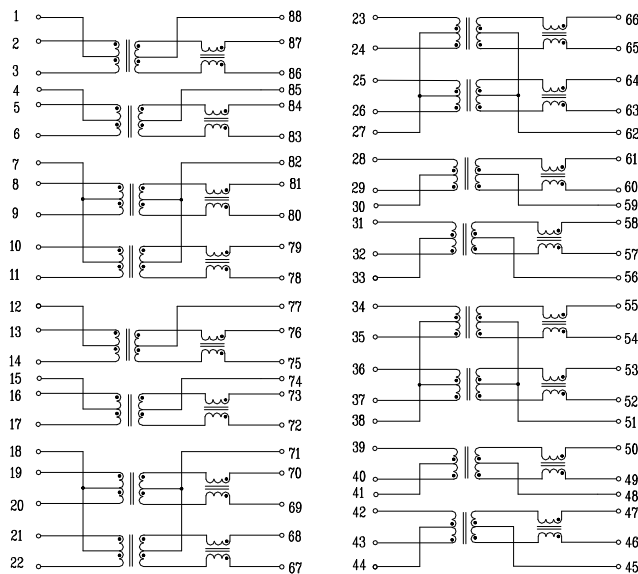
**Electrical Specifications @ 25°C**

Part Number	Turns Ratio (±5%)		OCL (uH Min) @100KHz/0.1V with 8mA DC Bias	Cross talk Attenuation (dB Min)			HI-POT (Vrms)
	TX	RX		30MHz	60MHz	100MHz	
GH5209-1 LF	1CT:1CT	1CT:1CT	350	-40	-35	-30	1500

**Continue**

Part Number	Insertion Loss (dB Max)	Return Loss (dB Min @100Ω)					DCMR (dB Min)		
		1-100MHz	1-30MHz	40MHz	50MHz	60-80MHz	100MHz	30MHz	60MHz
GH5209-1 LF	-1.0	-18	-16	-14.08	-12.5	-10	-43	-37	-33

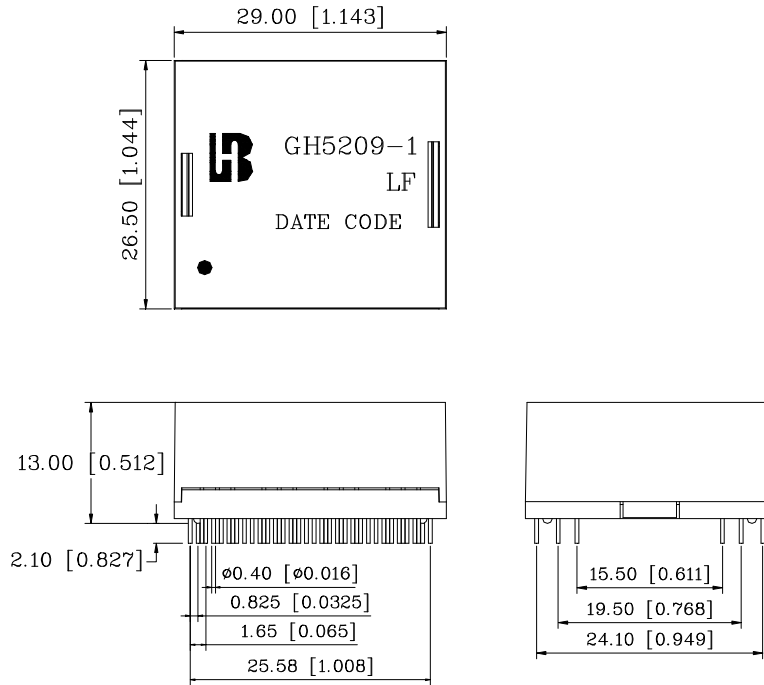
**Schematic**



**1000 BASE -T QUAD PORT  
MAGNETICS MODULES  
P/N: GH5209-1 LF DATA SHEET**

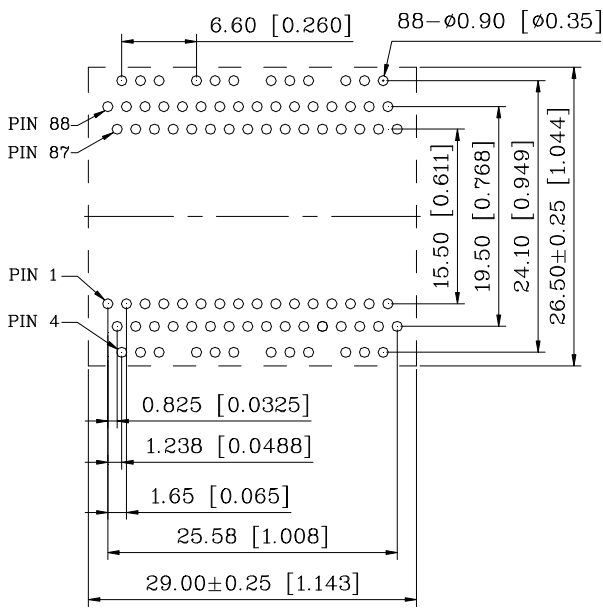


**Mechanical**

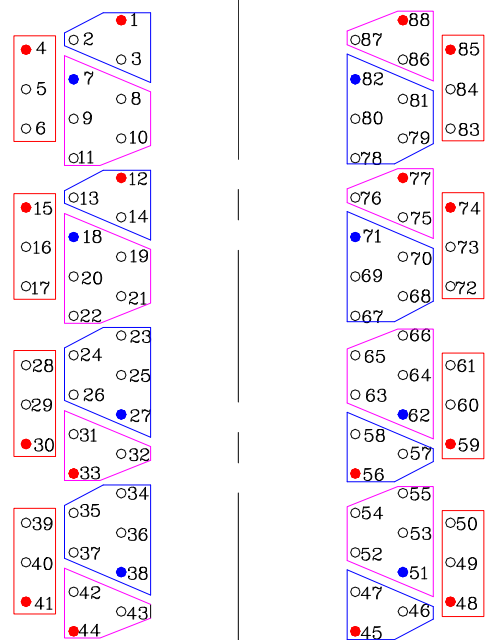


Units: mm[Inches] Tolerance : xx.x0±0.25[0.010]  
0.xx±0.05[0.002]

**PCB Layout mounting Hole ( Top View )**



Unless otherwise specified,  
all dimension tolerance are: ±0.08[±0.003]



Red : Center Tap  
Blue : Center Tap