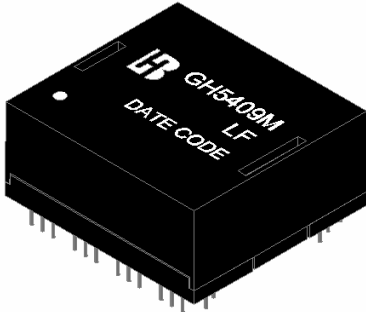


**1000 BASE –T QUAD PORT
MAGNETICS MODULES
P/N: GH5409M LF DATA SHEET**



Feature



- Designed for long haul gigabit Ethernet 1000 BASE-T, full duplex applications.
- Supports 16 pairs of category 5 UTP cable.
- Cable interface for isolation and low common mode emissions.
- Complying with IEEE 802.3af standard.
- Complying with ROHS requirements.
- Operating temperature range: -40°C to +85°C.
- Storage temperature range: -40°C to +85°C.

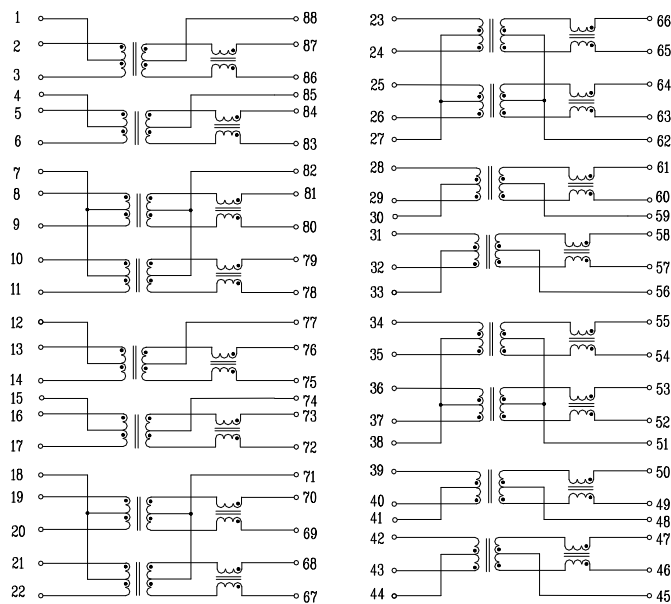
Electrical Specifications @ 25°C

Part Number	Turns Ratio (±5%)		OCL (uH Min) @100KHz/0.1V with 8mA DC Bias	Cross talk Attenuation (dB Min)			HI-POT (Vrms)
	TX	RX		30MHz	60MHz	100MHz	
GH5409M LF	1CT:1CT	1CT:1CT	350	-40	-35	-30	1500

Continue

Part Number	Insertion Loss (dB Max)	Return Loss (dB Min @100Ω)					DCMR (dB Min)		
		1-100MHz	1-30MHz	40MHz	50MHz	60-80MHz	100MHz	30MHz	60MHz
GH5409M LF	-1.0	-18	-16	-14.08	-12.5	-10	-43	-37	-33

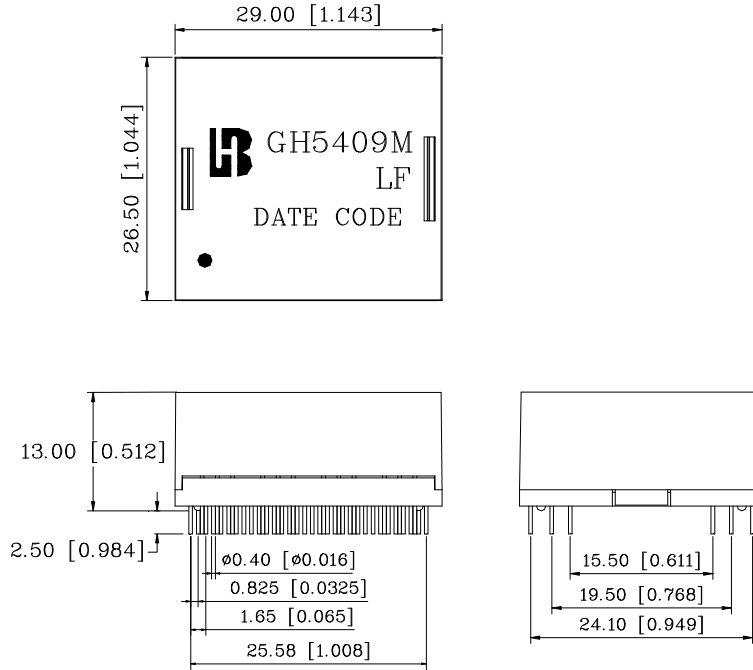
Schematic



**1000 BASE -T QUAD PORT
MAGNETICS MODULES
P/N: GH5409M LF DATA SHEET**

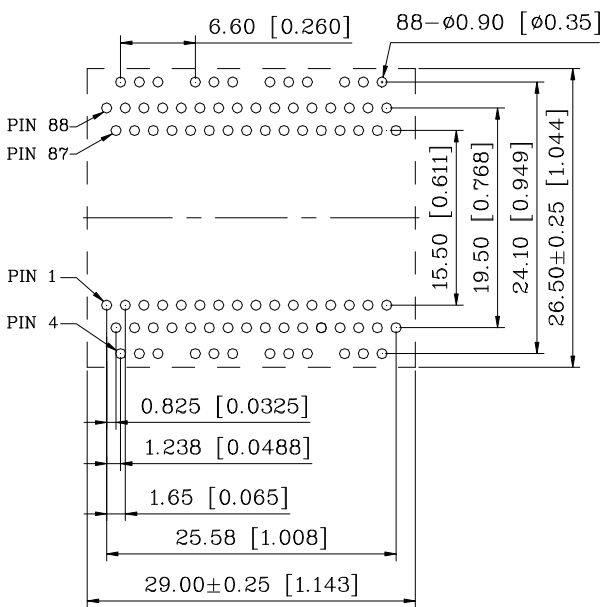


Mechanical

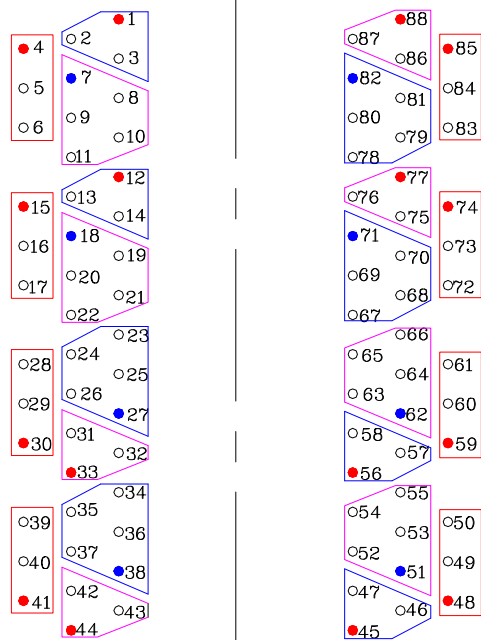


Units: mm[Inches] Tolerance : xx.x0 \pm 0.25[0.010]
 0.xx \pm 0.05[0.002]

PCB Layout mounting Hole (Top View)



Unless otherwise specified,
 all dimension tolerance are: ± 0.08 [± 0.003]



Red : PoE Function
 Blue : Center Tap