

1000 BASE -T DUAL PORT MAGNETICS MODULES

- Designed for long haul gigabit Ethernet 1000 BASE-T, full duplex applications.
- Supports 16 pairs of category 5 UTP cable.
- Cable interface for isolation and low common mode emissions.
- Compliant with IEEE 802.3at standard for 1000 BASE-T.
- Compliance with ROHS requirements.
- Operating temperature range: 0 to +70 .
- Storage temperature range: -25 to +85 .



Electrical Specifications @ 25°C

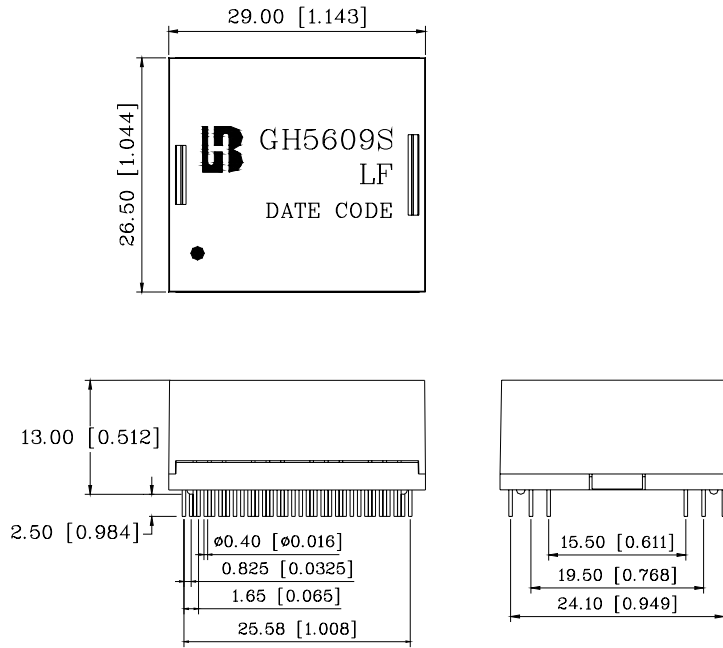
Part Number	Turns Ratio (±5%)		OCL (uH Min) @100KHz/0.1V with 8mA DC Bias	Cross talk Attenuation (dB Min)			HI-POT (Vrms)
	TX	RX		30MHz	60MHz	100MHz	
GH5609S LF	1CT:1CT	1CT:1CT	350	-40	-35	-30	1500
GH5409 LF	1CT:1CT	1CT:1CT	350	-40	-35	-30	1500
GH5209 LF	1CT:1CT	1CT:1CT	350	-40	-35	-30	1500

Continue

Part Number	Insertion Loss (dB Max)	Return Loss (dB Min @100)					DCMR (dB Min)		
		1-100MHz	1-30MHz	40MHz	50MHz	60-80MHz	100MHz	30MHz	60MHz
GH5609S LF	-1.0	-18	-16	-14.08	-12.5	-10	-43	-37	-33
GH5409 LF	-1.0	-18	-16	-14.08	-12.5	-10	-43	-37	-33
GH5209 LF	-1.0	-18	-16	-14.08	-12.5	-10	-43	-37	-33

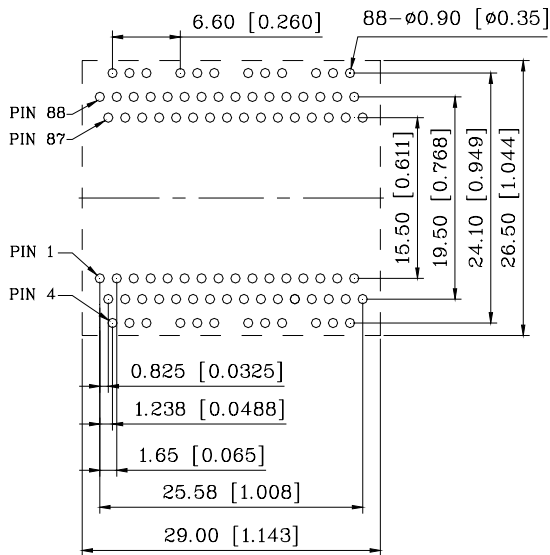
For customized parts or more detailed information, please log on www.bothhandusa.com or write to sales@bothhandusa.com

Mechanicals

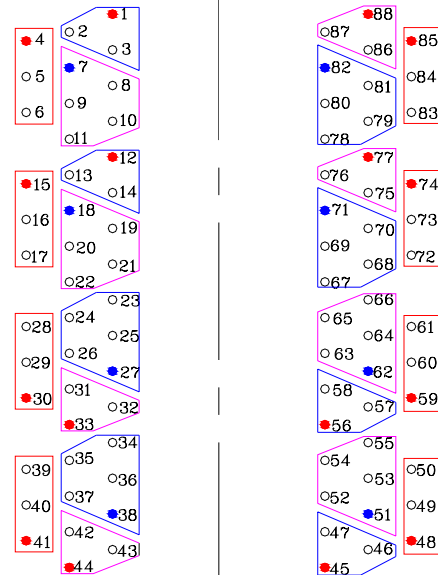


Units: mm[Inches] Tolerance : xx.x0±0.25[0.010]
0.xx±0.05[0.002]

PCB Layout mounting Hole (Top View)



Units: mm[Inches] Tolerance: xx.x0±0.25[0.004]
0.xx±0.05[0.002]

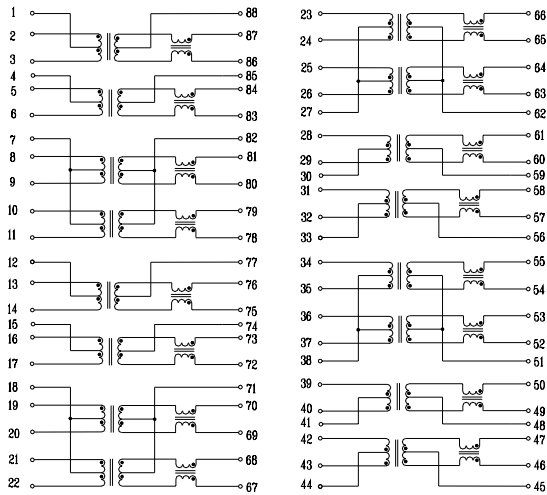


Red : PoE Function
Blue : Center Tap

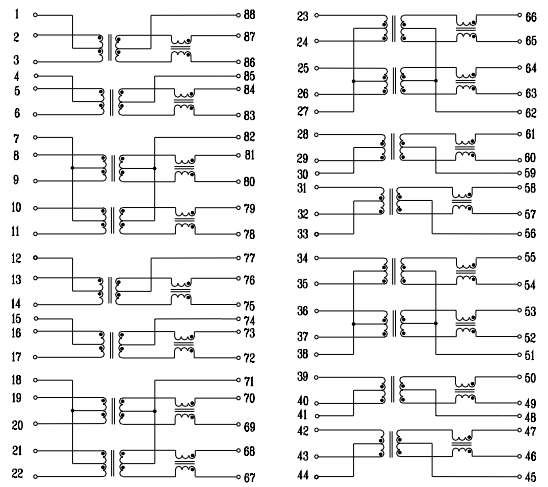
Specification	Packing Manner	Q'ty per Tube/Reel	Q'ty/Inner box	Q'ty/Carton
GHXXXX LF	TUBE	20	340	680

Schematics

GH5609S LF



GH5409 LF



GH5209 LF

