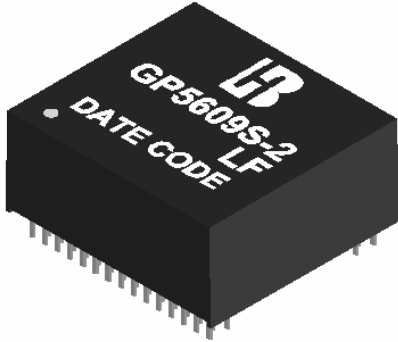


**1000 BASE –T QUAD PORT
MAGNETICS MODULES
P/N: GP5609S-2 LF DATA SHEET**



Feature



- Designed for long haul gigabit Ethernet 1000 BASE-T, full duplex applications.
- Supports 16 pairs of category 5 UTP cable.
- Cable interface for isolation and low common mode emissions.
- Complying with IEEE 802.3at standard for 1000 BASE-T.
- Suitable for End-span POE applications with 700mA current capability.
- Complying with ROHS requirements.
- Operating temperature range: 0°C to +70°C.
- Storage temperature range: -25°C to +85°C.

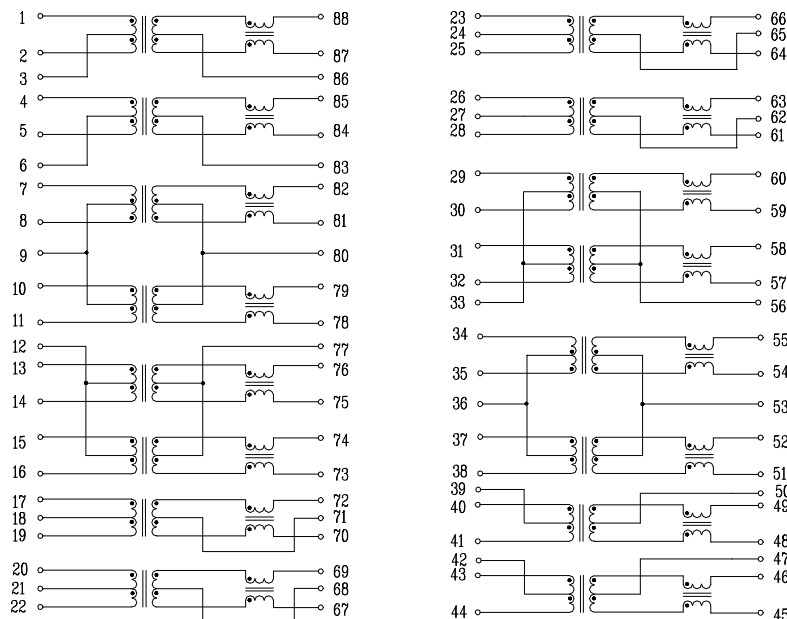
Electrical Specifications @ 25°C

Part Number	Turns Ratio (±5%)		OCL (uH Min) @100KHz/0.1V with 8mA DC Bias	OCL (uH Min) @100KHz/0.1V with 18mA DC Bias	Cross talk Attenuation (dB Min)			HI-POT (Vrms)
	TX	RX			30MHz	60MHz	100MHz	
GP5609S-2 LF	1CT:1CT	1CT:1CT	350	200	-40	-35	-30	1500

Continue

Part Number	Insertion Loss (dB Max)	Return Loss (dB Min @100Ω)					DCMR (dB Min)		
	1-100MHz	1-30MHz	40MHz	50MHz	60-80MHz	100MHz	30MHz	60MHz	100MHz
GP5609S-2 LF	-1.0	-18	-16	-14.08	-12.5	-10	-43	-37	-33

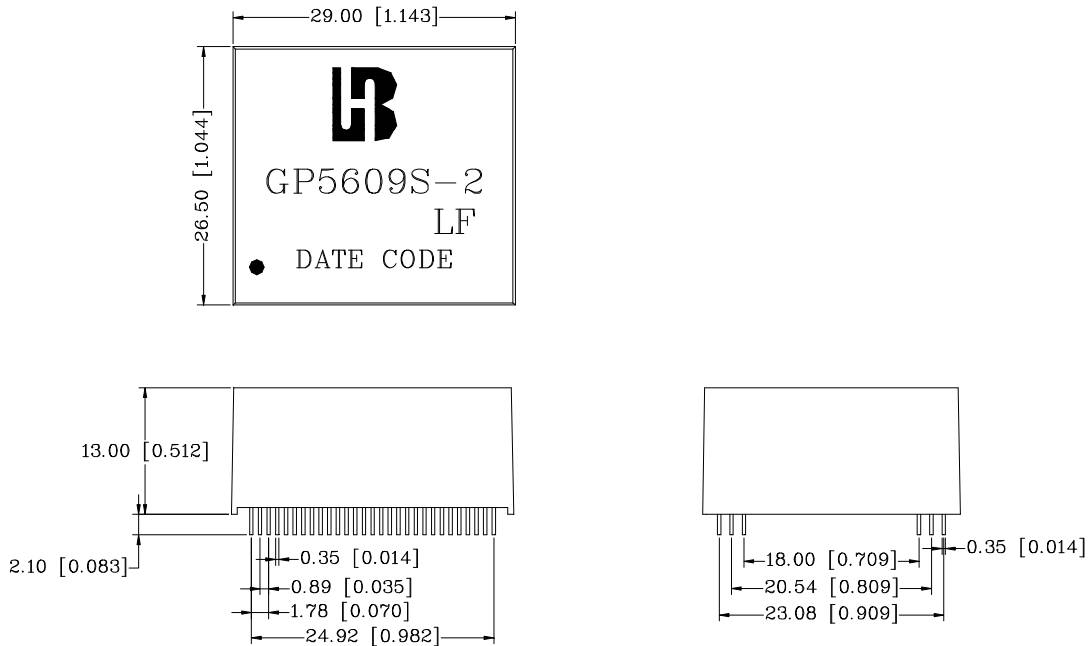
Schematic



**1000 BASE -T QUAD PORT
MAGNETICS MODULES
P/N: GP5609S-2 LF DATA SHEET**

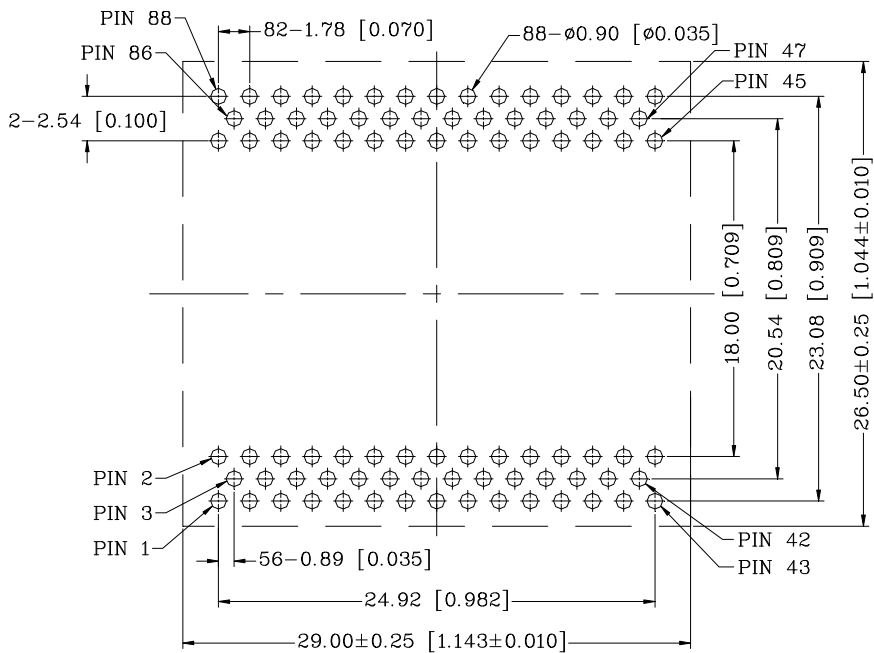


Mechanical



Units: mm[Inches] Tolerance : xx.x0±0.25[0.010]
 0.xx±0.05[0.002]

PCB Layout mounting Hole (Top View)



Unless otherwise specified,
 all dimension tolerance are: ±0.08[±0.003]